

## SN74AUP1G34 Low-Power Single Buffer Gate

### 1 Features

- Available in the Ultra Small 0.64 mm<sup>2</sup> Package (DPW) with 0.5-mm Pitch
- Low Static-Power Consumption;  $I_{CC} = 0.9 \mu\text{A Max}$
- Low Dynamic-Power Consumption;  $C_{pd} = 4.1 \text{ pF Typ at } 3.3 \text{ V}$
- Low Input Capacitance;  $C_i = 1.5 \text{ pF Typ}$
- Low Noise - Overshoot and Undershoot < 10% of  $V_{CC}$
- $I_{off}$  Supports Live Insertion, Partial Power Down Mode, and Back Drive Protection
- Input Hysteresis Allows Slow Input Transition and Better Switching Noise Immunity at the Input ( $V_{hys} = 250 \text{ mV Typ at } 3.3 \text{ V}$ )
- Wide Operating  $V_{CC}$  Range of 0.8 V to 3.6 V
- Optimized for 3.3-V Operation
- 3.6-V I/O Tolerant to Support Mixed-Mode Signal Operation
- $t_{pd} = 4.1 \text{ ns Max at } 3.3 \text{ V}$
- Suitable for Point-to-Point Applications
- Latch-Up Performance Exceeds 100 mA Per JESD 78, Class II
- ESD Performance Tested Per JESD 22
  - 2000-V Human-Body Model (A114-B, Class II)
  - 1000-V Charged-Device Model (C101)

### 2 Applications

- ATCA Solutions
- Active Noise Cancellation (ANC)
- Barcode Scanner
- Blood Pressure Monitor
- CPAP Machine
- Cable Solutions
- DLP 3D Machine Vision, Hyperspectral Imaging, Optical Networking, and Spectroscopy
- E-Book
- Embedded PC
- Field Transmitter: Temperature or Pressure Sensor
- Fingerprint Biometrics
- HVAC: Heating, Ventilating, and Air Conditioning
- Network-Attached Storage (NAS)
- Server Motherboard and PSU
- Software Defined Radio (SDR)
- TV: High-Definition (HDTV), LCD, and Digital
- Video Communications System
- Wireless Data Access Card, Headset, Keyboard, Mouse, and LAN Card
- X-ray: Baggage Scanner, Medical, and Dental

### 3 Description

This single buffer gate performs the Boolean function  $Y = A$  in positive logic.

#### Device Information<sup>(1)</sup>

| PART NUMBER | PACKAGE   | BODY SIZE (NOM)   |
|-------------|-----------|-------------------|
| SN74AUP1G34 | SOT (5)   | 1.60 mm × 1.20 mm |
|             | USON (6)  | 1.45 mm × 1.00 mm |
|             | X2SON (4) | 0.80 mm × 0.80 mm |
|             | DSBGA (4) | 0.79 mm × 0.79 mm |

(1) For all available packages, see the orderable addendum at the end of the data sheet.

### 4 Simplified Schematic



## Table of Contents

|  |          |  |           |
|--|----------|--|-----------|
| <b>1 Features</b> .....                            | <b>1</b> | Pulse Width .....  | <b>8</b>  |
| <b>2 Applications</b> .....                        | <b>1</b> | 8.2 Enable and Disable Times .....                               | <b>9</b>  |
| <b>3 Description</b> .....                         | <b>1</b> | <b>9 Detailed Description</b> .....                              | <b>10</b> |
| <b>4 Simplified Schematic</b> .....                | <b>1</b> | 9.1 Overview .....   | <b>10</b> |
| <b>5 Revision History</b> .....                    | <b>2</b> | 9.2 Functional Block Diagram .....                               | <b>10</b> |
| <b>6 Pin Configuration and Function</b> .....      | <b>3</b> | 9.3 Feature Description .....                                    | <b>10</b> |
| <b>7 Specifications</b> .....                      | <b>3</b> | 9.4 Device Functional Modes .....                                | <b>10</b> |
| 7.1 Absolute Maximum Ratings .....                 | <b>3</b> | <b>10 Application and Implementation</b> .....                   | <b>11</b> |
| 7.2 Handling Ratings .....                         | <b>4</b> | 10.1 Application Information .....                               | <b>11</b> |
| 7.3 Recommended Operating Conditions .....         | <b>4</b> | 10.2 Typical Application .....                                   | <b>11</b> |
| 7.4 Thermal Information .....                      | <b>4</b> | <b>11 Power Supply Recommendations</b> .....                     | <b>12</b> |
| 7.5 Electrical Characteristics .....               | <b>5</b> | <b>12 Layout</b> .....   | <b>12</b> |
| 7.6 Switching Characteristics, $C_L = 5$ pF .....  | <b>5</b> | 12.1 Layout Guidelines .....                                     | <b>12</b> |
| 7.7 Switching Characteristics, $C_L = 10$ pF ..... | <b>6</b> | 12.2 Layout Example .....  | <b>12</b> |
| 7.8 Switching Characteristics, $C_L = 15$ pF ..... | <b>6</b> | <b>13 Device and Documentation Support</b> .....                 | <b>13</b> |
| 7.9 Switching Characteristics, $C_L = 30$ pF ..... | <b>6</b> | 13.1 Trademarks .....  | <b>13</b> |
| 7.10 Operating Characteristics .....               | <b>6</b> | 13.2 Electrostatic Discharge Caution .....                       | <b>13</b> |
| 7.11 Typical Characteristics .....                 | <b>7</b> | 13.3 Glossary .....  | <b>13</b> |
| <b>8 Parameter Measurement Information</b> .....   | <b>8</b> | <b>14 Mechanical, Packaging, and Orderable Information</b> ..... | <b>13</b> |
| 8.1 Propagation Delays, Setup and Hold Times, and  |          |  |           |

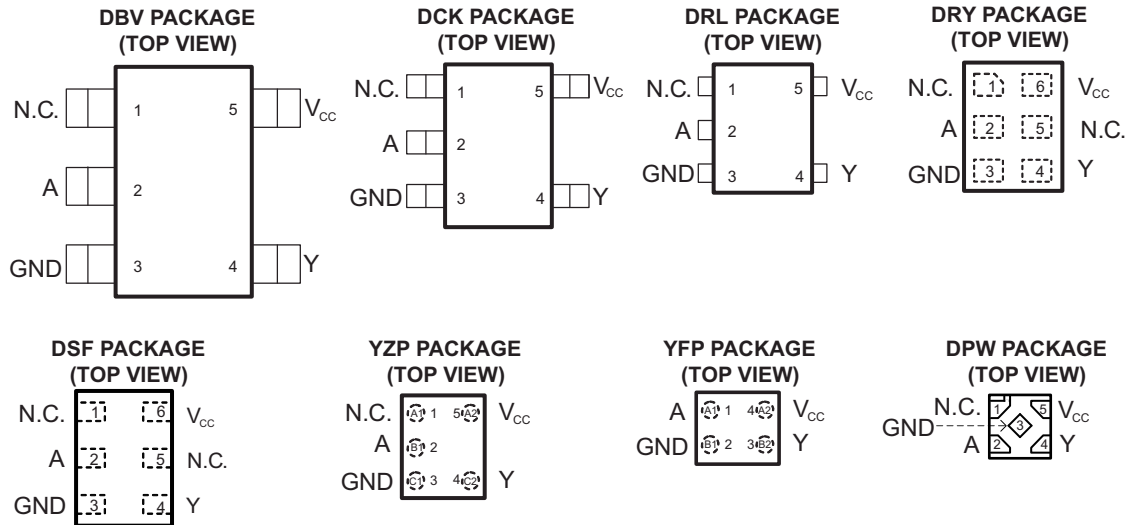
## 5 Revision History

| <b>Changes from Revision J (June 2014) to Revision K</b> | <b>Page</b> |
|--|-------------|
| • Updated Device Information table. ....                 | <b>1</b>    |

| <b>Changes from Revision I (November 2012) to Revision J</b> | <b>Page</b> |
|--|-------------|
| • Updated document to new TI data sheet format. ....         | <b>1</b>    |
| • Deleted Ordering Information table. ....                   | <b>1</b>    |
| • Updated Description. ....                                  | <b>1</b>    |
| • Added Device Information table. ....                       | <b>1</b>    |
| • Added Handling Ratings table. ....                         | <b>4</b>    |
| • Added Thermal Information table. ....                      | <b>4</b>    |
| • Added Typical Characteristics. ....                        | <b>7</b>    |

| <b>Changes from Revision H (October 2012) to Revision I</b> | <b>Page</b> |
|---|-------------|
| • Changed DPW package pinout .....                          | <b>3</b>    |

## 6 Pin Configuration and Function



N.C. – No internal connection

See mechanical drawings for dimensions.

### Pin Functions

| NAME            | PIN           |          |     |     |     | I/O | DESCRIPTION |
|-----------------|---------------|----------|-----|-----|-----|-----|-------------|
|                 | DBV, DCK, DRL | DSF, DRY | YFP | DPW | YFP |     |             |
| NC              | 1             | 1, 5     | –   | 1   | –   | –   | No connect  |
| A               | 2             | 2        | A1  | 2   | A1  | I   | Input A     |
| GNV             | 3             | 3        | B1  | 3   | B1  | –   | Ground      |
| Y               | 4             | 4        | B2  | 4   | B2  | O   | Output Y    |
| V <sub>CC</sub> | 5             | 6        | A2  | 5   | A2  | –   | Power Pin   |

## 7 Specifications

### 7.1 Absolute Maximum Ratings<sup>(1)</sup>

over operating free-air temperature range (unless otherwise noted)

|                 |   | MIN                | MAX                   | UNIT   |
|-----------------|---|--------------------|-----------------------|--------|
| V <sub>CC</sub> | Supply voltage range  | –0.5               | 4.6                   | V      |
| V <sub>I</sub>  | Input voltage range <sup>(2)</sup>  | –0.5               | 4.6                   | V      |
| V <sub>O</sub>  | Voltage range applied to any output in the high-impedance or power-off state <sup>(2)</sup> | –0.5               | 4.6                   | V      |
| V <sub>O</sub>  | Output voltage range in the high or low state <sup>(2)</sup>                                | –0.5               | V <sub>CC</sub> + 0.5 | V      |
| I <sub>IK</sub> | Input clamp current   | V <sub>I</sub> < 0 |                       | –50 mA |
| I <sub>OK</sub> | Output clamp current  | V <sub>O</sub> < 0 |                       | –50 mA |
| I <sub>O</sub>  | Continuous output current   |                    |                       | ±20 mA |
|                 | Continuous current through V <sub>CC</sub> or GND   |                    |                       | ±50 mA |

(1) Stresses beyond those listed under *Absolute Maximum Ratings* may cause permanent damage to the device. These are stress ratings only, and functional operation of the device at these or any other conditions beyond those indicated under *Recommended Operating Conditions* is not implied. Exposure to absolute-maximum-rated conditions for extended periods may affect device reliability.

(2) The input and output negative-voltage ratings may be exceeded if the input and output current ratings are observed.

## 7.2 Handling Ratings

|             |                           | MIN  | MAX  | UNIT |
|-------------|---------------------------|--|------|------|
| $T_{stg}$   | Storage temperature range | -65  | 150  | °C   |
| $V_{(ESD)}$ | Electrostatic discharge   | Human body model (HBM), per ANSI/ESDA/JEDEC JS-001, all pins <sup>(1)</sup>              |      | V    |
|             |                           | Charged device model (CDM), per JEDEC specification JESD22-C101, all pins <sup>(2)</sup> |      |      |
|             |                           | 0  | 2000 |      |
|             |                           | 0  | 1000 |      |

(1) JEDEC document JEP155 states that 500-V HBM allows safe manufacturing with a standard ESD control process.

(2) JEDEC document JEP157 states that 250-V CDM allows safe manufacturing with a standard ESD control process.

## 7.3 Recommended Operating Conditions<sup>(1)</sup>

|                     |                                    | MIN                                      | MAX                  | UNIT     |
|---------------------|------------------------------------|--|----------------------|----------|
| $V_{CC}$            | Supply voltage                     | 0.8                                      | 3.6                  | V        |
| $V_{IH}$            | High-level input voltage           | $V_{CC} = 0.8\text{ V}$                  | $V_{CC}$             | V        |
|                     |                                    | $V_{CC} = 1.1\text{ V to }1.95\text{ V}$ | $0.65 \times V_{CC}$ |          |
|                     |                                    | $V_{CC} = 2.3\text{ V to }2.7\text{ V}$  | 1.6                  |          |
|                     |                                    | $V_{CC} = 3\text{ V to }3.6\text{ V}$    | 2                    |          |
| $V_{IL}$            | Low-level input voltage            | $V_{CC} = 0.8\text{ V}$                  | 0                    | V        |
|                     |                                    | $V_{CC} = 1.1\text{ V to }1.95\text{ V}$ | $0.35 \times V_{CC}$ |          |
|                     |                                    | $V_{CC} = 2.3\text{ V to }2.7\text{ V}$  | 0.7                  |          |
|                     |                                    | $V_{CC} = 3\text{ V to }3.6\text{ V}$    | 0.9                  |          |
| $V_I$               | Input voltage                      | 0  | 3.6                  | V        |
| $V_O$               | Output voltage                     | 0  | $V_{CC}$             | V        |
| $I_{OH}^{(2)}$      | High-level output current          | $V_{CC} = 0.8\text{ V}$                  | -20                  | μA       |
|                     |                                    | $V_{CC} = 1.1\text{ V}$                  | -1.1                 |          |
|                     |                                    | $V_{CC} = 1.4\text{ V}$                  | -1.7                 |          |
|                     |                                    | $V_{CC} = 1.65\text{ V}$                 | -1.9                 |          |
|                     |                                    | $V_{CC} = 2.3\text{ V}$                  | -3.1                 |          |
|                     |                                    | $V_{CC} = 3\text{ V}$                    | -4                   |          |
| $I_{OL}^{(2)}$      | Low-level output current           | $V_{CC} = 0.8\text{ V}$                  | 20                   | μA       |
|                     |                                    | $V_{CC} = 1.1\text{ V}$                  | 1.1                  |          |
|                     |                                    | $V_{CC} = 1.4\text{ V}$                  | 1.7                  |          |
|                     |                                    | $V_{CC} = 1.65\text{ V}$                 | 1.9                  |          |
|                     |                                    | $V_{CC} = 2.3\text{ V}$                  | 3.1                  |          |
|                     |                                    | $V_{CC} = 3\text{ V}$                    | 4                    |          |
| $\Delta t/\Delta v$ | Input transition rise or fall rate | $V_{CC} = 0.8\text{ V to }3.6\text{ V}$  |                      | 200 ns/V |
| $T_A$               | Operating free-air temperature     | -40                                      | 85                   | °C       |

(1) All unused inputs of the device must be held at  $V_{CC}$  or GND to ensure proper device operation. Refer to the TI application report, *Implications of Slow or Floating CMOS Inputs*, literature number [SCBA004](#).

(2) Defined by the signal integrity requirements and design goal priorities

## 7.4 Thermal Information

| THERMAL METRIC <sup>(1)</sup> | DBV  | DCK    | DRL    | DSF    | DRY    | UNIT  |      |
|-------------------------------|--|--------|--------|--------|--------|-------|------|
|                               | 5 PINS                                       | 5 PINS | 5 PINS | 6 PINS | 6 PINS |       |      |
| $R_{\theta JA}$               | Junction-to-ambient thermal resistance       | 271.4  | 338.4  | 349.7  | 407.1  | 554.9 | °C/W |
| $R_{\theta JC(top)}$          | Junction-to-case (top) thermal resistance    | 213.5  | 110.6  | 120.5  | 232.0  | 385.4 |      |
| $R_{\theta JB}$               | Junction-to-board thermal resistance         | 108.2  | 118.8  | 171.4  | 306.9  | 388.2 |      |
| $\Psi_{JT}$                   | Junction-to-top characterization parameter   | 89.3   | 3.0    | 10.8   | 40.3   | 159.0 |      |
| $\Psi_{JB}$                   | Junction-to-board characterization parameter | 107.6  | 117.8  | 169.4  | 306.0  | 384.1 |      |

(1) For more information about traditional and new thermal metrics, see the *IC Package Thermal Metrics* application report, [SPRA953](#).

## 7.5 Electrical Characteristics

over recommended operating free-air temperature range (unless otherwise noted)

| PARAMETER         | TEST CONDITIONS                         | V <sub>CC</sub>                                    | T <sub>A</sub> = 25°C  |                |     | T <sub>A</sub> = –40°C to 85°C |                       | UNIT |    |
|-------------------|---|--|------------------------|----------------|-----|--------------------------------|-----------------------|------|----|
|                   |   |  | MIN                    | TYP            | MAX | MIN                            | MAX                   |      |    |
| V <sub>OH</sub>   | I <sub>OH</sub> = –20 μA                | 0.8 V to 3.6 V                                     | V <sub>CC</sub> – 0.1  |                |     | V <sub>CC</sub> – 0.1          |                       | V    |    |
|                   | I <sub>OH</sub> = –1.1 mA               | 1.1 V  | 0.75 × V <sub>CC</sub> |                |     | 0.7 × V <sub>CC</sub>          |                       |      |    |
|                   | I <sub>OH</sub> = –1.7 mA               | 1.4 V  | 1.11                   |                |     | 1.03                           |                       |      |    |
|                   | I <sub>OH</sub> = –1.9 mA               | 1.65 V   | 1.32                   |                |     | 1.3                            |                       |      |    |
|                   | I <sub>OH</sub> = –2.3 mA               | 2.3 V  | 2.05                   |                |     | 1.97                           |                       |      |    |
|                   | I <sub>OH</sub> = –3.1 mA               |  | 1.9                    |                |     | 1.85                           |                       |      |    |
|                   | I <sub>OH</sub> = –2.7 mA               | 3 V  | 2.72                   |                |     | 2.67                           |                       |      |    |
|                   | I <sub>OH</sub> = –4 mA                 |  | 2.6                    |                |     | 2.55                           |                       |      |    |
| V <sub>OL</sub>   | I <sub>OL</sub> = 20 μA                 | 0.8 V to 3.6 V                                     |                        |                |     | 0.1                            | 0.1                   | V    |    |
|                   | I <sub>OL</sub> = 1.1 mA                | 1.1 V  |                        |                |     | 0.3 × V <sub>CC</sub>          | 0.3 × V <sub>CC</sub> |      |    |
|                   | I <sub>OL</sub> = 1.7 mA                | 1.4 V  |                        |                |     | 0.31                           | 0.37                  |      |    |
|                   | I <sub>OL</sub> = 1.9 mA                | 1.65 V   |                        |                |     | 0.31                           | 0.35                  |      |    |
|                   | I <sub>OL</sub> = 2.3 mA                | 2.3 V  |                        |                |     | 0.31                           | 0.33                  |      |    |
|                   | I <sub>OL</sub> = 3.1 mA                |  |                        |                |     | 0.44                           | 0.45                  |      |    |
|                   | I <sub>OL</sub> = 2.7 mA                | 3 V  |                        |                |     | 0.31                           | 0.33                  |      |    |
|                   | I <sub>OL</sub> = 4 mA                  |  |                        |                |     | 0.44                           | 0.45                  |      |    |
| I <sub>I</sub>    | A input                                 | V <sub>I</sub> = GND to 3.6 V                      | 0 V to 3.6 V           |                |     | 0.1                            | 0.5                   | μA   |    |
| I <sub>off</sub>  |   | V <sub>I</sub> or V <sub>O</sub> = 0 V to 3.6 V    | 0 V                    |                |     | 0.2                            | 0.6                   | μA   |    |
| ΔI <sub>off</sub> |   | V <sub>I</sub> or V <sub>O</sub> = 0 V to 3.6 V    | 0 V to 0.2 V           |                |     | 0.2                            | 0.6                   | μA   |    |
| I <sub>CC</sub>   |   | V <sub>I</sub> = GND or (V <sub>CC</sub> to 3.6 V) | I <sub>O</sub> = 0     | 0.8 V to 3.6 V |     |                                | 0.5                   | 0.9  | μA |
| ΔI <sub>CC</sub>  |   | V <sub>I</sub> = V <sub>CC</sub> – 0.6 V           | I <sub>O</sub> = 0     | 3.3 V          |     |                                | 40                    | 50   | μA |
| C <sub>i</sub>    | V <sub>I</sub> = V <sub>CC</sub> or GND | 0 V  |                        | 1.5            |     |                                |                       |      | pF |
|                   |   | 3.6 V  |                        | 1.5            |     |                                |                       |      |    |
| C <sub>o</sub>    | V <sub>O</sub> = GND                    | 0 V  |                        | 2.5            |     |                                |                       |      | pF |

## 7.6 Switching Characteristics, C<sub>L</sub> = 5 pF

over recommended operating free-air temperature range (unless otherwise noted) (see [Figure 3](#) and [Figure 4](#))

| PARAMETER       | FROM (INPUT) | TO (OUTPUT) | V <sub>CC</sub> | T <sub>A</sub> = 25°C |      |      | T <sub>A</sub> = –40°C to 85°C |      | UNIT |
|-----------------|--------------|-------------|-----------------|-----------------------|------|------|--------------------------------|------|------|
|                 |              |             |                 | MIN                   | TYP  | MAX  | MIN                            | MAX  |      |
| t <sub>pd</sub> | A            | Y           | 0.8 V           | 1.8                   | 14.5 | 27.4 |                                |      | ns   |
|                 |              |             | 1.2 V ± 0.1 V   | 3                     | 5.6  | 11.2 | 0.4                            | 13.9 |      |
|                 |              |             | 1.5 V ± 0.1 V   | 2.5                   | 4    | 7.2  | 0.7                            | 9.2  |      |
|                 |              |             | 1.8 V ± 0.15 V  | 2.2                   | 3.2  | 6    | 0.8                            | 7.3  |      |
|                 |              |             | 2.5 V ± 0.2 V   | 1.8                   | 2.4  | 3.9  | 0.6                            | 5.1  |      |
|                 |              |             | 3.3 V ± 0.3 V   | 1.4                   | 2    | 3.2  | 0.6                            | 4.1  |      |

### 7.7 Switching Characteristics, $C_L = 10\text{ pF}$

 over recommended operating free-air temperature range (unless otherwise noted) (see [Figure 3](#) and [Figure 4](#))

| PARAMETER | FROM (INPUT) | TO (OUTPUT) | $V_{CC}$                         | $T_A = 25^\circ\text{C}$ |      |      | $T_A = -40^\circ\text{C to } 85^\circ\text{C}$ |      | UNIT |
|-----------|--------------|-------------|----------------------------------|--------------------------|------|------|--|------|------|
|           |              |             |                                  | MIN                      | TYP  | MAX  | MIN  | MAX  |      |
| $t_{pd}$  | A            | Y           | 0.8 V                            | 2.7                      | 16.6 | 28.2 |  |      | ns   |
|           |              |             | $1.2\text{ V} \pm 0.1\text{ V}$  | 3.6                      | 6.6  | 12.7 | 0.3  | 15.4 |      |
|           |              |             | $1.5\text{ V} \pm 0.1\text{ V}$  | 3                        | 4.8  | 8.3  | 1.2  | 10.3 |      |
|           |              |             | $1.8\text{ V} \pm 0.15\text{ V}$ | 2.7                      | 3.9  | 6.9  | 1.3  | 8.3  |      |
|           |              |             | $2.5\text{ V} \pm 0.2\text{ V}$  | 2.3                      | 2.9  | 4.5  | 1.2  | 5.8  |      |
|           |              |             | $3.3\text{ V} \pm 0.3\text{ V}$  | 2                        | 2.4  | 3.8  | 1.1  | 4.8  |      |

### 7.8 Switching Characteristics, $C_L = 15\text{ pF}$

 over recommended operating free-air temperature range (unless otherwise noted) (see [Figure 3](#) and [Figure 4](#))

| PARAMETER | FROM (INPUT) | TO (OUTPUT) | $V_{CC}$                         | $T_A = 25^\circ\text{C}$ |      |      | $T_A = -40^\circ\text{C to } 85^\circ\text{C}$ |      | UNIT |
|-----------|--------------|-------------|----------------------------------|--------------------------|------|------|--|------|------|
|           |              |             |                                  | MIN                      | TYP  | MAX  | MIN  | MAX  |      |
| $t_{pd}$  | A            | Y           | 0.8 V                            | 5.1                      | 18.6 | 30.2 |  |      | ns   |
|           |              |             | $1.2\text{ V} \pm 0.1\text{ V}$  | 4.3                      | 7.5  | 13.6 | 1.3  | 16.5 |      |
|           |              |             | $1.5\text{ V} \pm 0.1\text{ V}$  | 3.6                      | 5.5  | 9    | 1.9  | 11.2 |      |
|           |              |             | $1.8\text{ V} \pm 0.15\text{ V}$ | 3.2                      | 4.5  | 7.5  | 1.9  | 8.9  |      |
|           |              |             | $2.5\text{ V} \pm 0.2\text{ V}$  | 2.6                      | 3.4  | 5.2  | 1.7  | 6.5  |      |
|           |              |             | $3.3\text{ V} \pm 0.3\text{ V}$  | 2.3                      | 2.9  | 4.2  | 1.5  | 5    |      |

### 7.9 Switching Characteristics, $C_L = 30\text{ pF}$

 over recommended operating free-air temperature range (unless otherwise noted) (see [Figure 3](#) and [Figure 4](#))

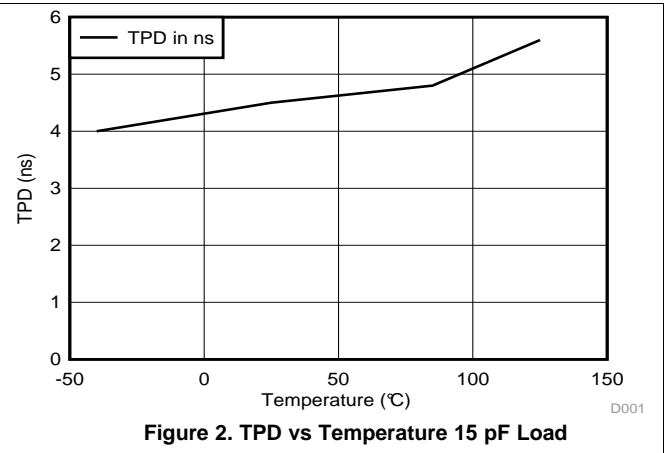
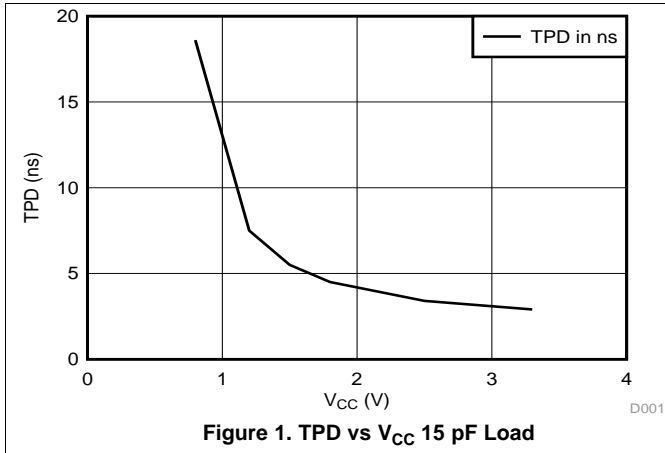
| PARAMETER | FROM (INPUT) | TO (OUTPUT) | $V_{CC}$                         | $T_A = 25^\circ\text{C}$ |      |      | $T_A = -40^\circ\text{C to } 85^\circ\text{C}$ |      | UNIT |
|-----------|--------------|-------------|----------------------------------|--------------------------|------|------|--|------|------|
|           |              |             |                                  | MIN                      | TYP  | MAX  | MIN  | MAX  |      |
| $t_{pd}$  | A            | Y           | 0.8 V                            | 9.9                      | 24.2 | 36.3 |  |      | ns   |
|           |              |             | $1.2\text{ V} \pm 0.1\text{ V}$  | 6.3                      | 10.1 | 16.3 | 3.6  | 18.9 |      |
|           |              |             | $1.5\text{ V} \pm 0.1\text{ V}$  | 5.1                      | 7.4  | 11   | 3.4  | 13   |      |
|           |              |             | $1.8\text{ V} \pm 0.15\text{ V}$ | 4.5                      | 6.1  | 9.3  | 3.2  | 10.6 |      |
|           |              |             | $2.5\text{ V} \pm 0.2\text{ V}$  | 3.7                      | 4.7  | 6.4  | 2.7  | 7.8  |      |
|           |              |             | $3.3\text{ V} \pm 0.3\text{ V}$  | 3.3                      | 4    | 5.3  | 2.5  | 6.5  |      |

### 7.10 Operating Characteristics

 $T_A = 25^\circ\text{C}$ 

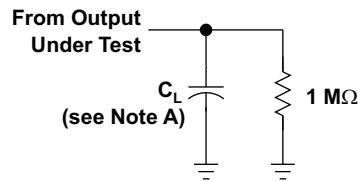
| PARAMETER                              | TEST CONDITIONS     | $V_{CC}$                         | TYP | UNIT |
|--|---------------------|----------------------------------|-----|------|
| $C_{pd}$ Power dissipation capacitance | $f = 10\text{ MHz}$ | 0.8 V                            | 3.8 | pF   |
|  |                     | $1.2\text{ V} \pm 0.1\text{ V}$  | 3.8 |      |
|  |                     | $1.5\text{ V} \pm 0.1\text{ V}$  | 3.8 |      |
|  |                     | $1.8\text{ V} \pm 0.15\text{ V}$ | 3.8 |      |
|  |                     | $2.5\text{ V} \pm 0.2\text{ V}$  | 3.9 |      |
|  |                     | $3.3\text{ V} \pm 0.3\text{ V}$  | 4.1 |      |

### 7.11 Typical Characteristics



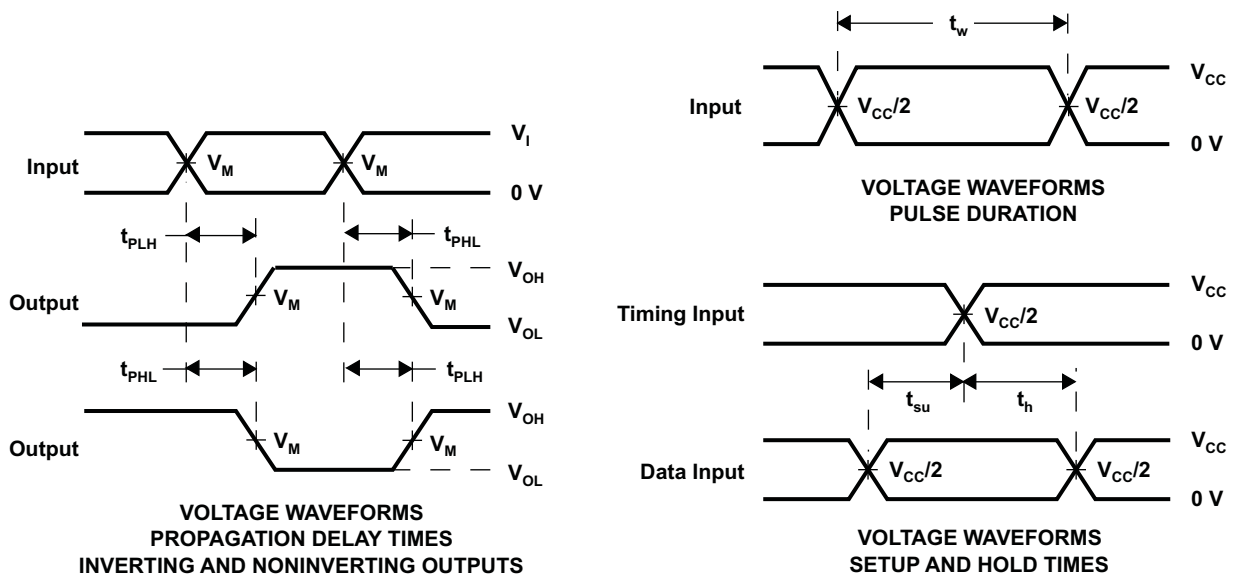
## 8 Parameter Measurement Information

### 8.1 Propagation Delays, Setup and Hold Times, and Pulse Width



LOAD CIRCUIT

|       | $V_{CC} = 0.8 \text{ V}$ | $V_{CC} = 1.2 \text{ V} \pm 0.1 \text{ V}$ | $V_{CC} = 1.5 \text{ V} \pm 0.1 \text{ V}$ | $V_{CC} = 1.8 \text{ V} \pm 0.15 \text{ V}$ | $V_{CC} = 2.5 \text{ V} \pm 0.2 \text{ V}$ | $V_{CC} = 3.3 \text{ V} \pm 0.3 \text{ V}$ |
|-------|--------------------------|--|--|---|--|--|
| $C_L$ | 5, 10, 15, 30 pF         | 5, 10, 15, 30 pF                           | 5, 10, 15, 30 pF                           | 5, 10, 15, 30 pF                            | 5, 10, 15, 30 pF                           | 5, 10, 15, 30 pF                           |
| $V_M$ | $V_{CC}/2$               | $V_{CC}/2$                                 | $V_{CC}/2$                                 | $V_{CC}/2$                                  | $V_{CC}/2$                                 | $V_{CC}/2$                                 |
| $V_I$ | $V_{CC}$                 | $V_{CC}$                                   | $V_{CC}$                                   | $V_{CC}$                                    | $V_{CC}$                                   | $V_{CC}$                                   |

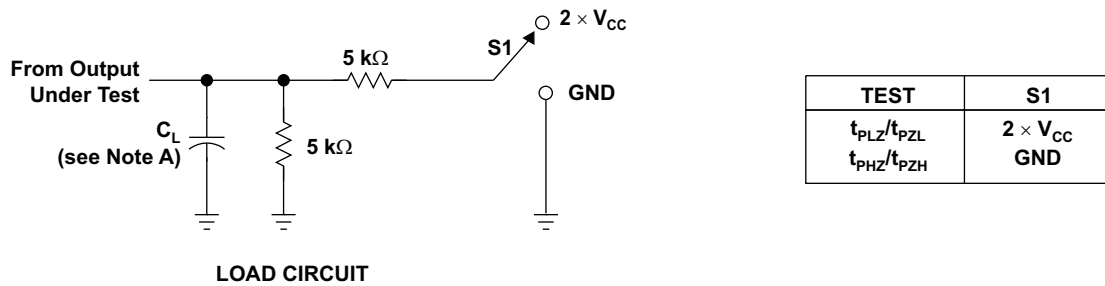


- NOTES: A.  $C_L$  includes probe and jig capacitance.  
 B. All input pulses are supplied by generators having the following characteristics: PRR  $\leq$  10 MHz,  $Z_O = 50 \Omega$ ,  $t_r/t_f = 3 \text{ ns}$ .  
 C. The outputs are measured one at a time, with one transition per measurement.  
 D.  $t_{PLH}$  and  $t_{PHL}$  are the same as  $t_{pd}$ .  
 E. All parameters and waveforms are not applicable to all devices.

Figure 3. Load Circuit and Voltage Waveforms

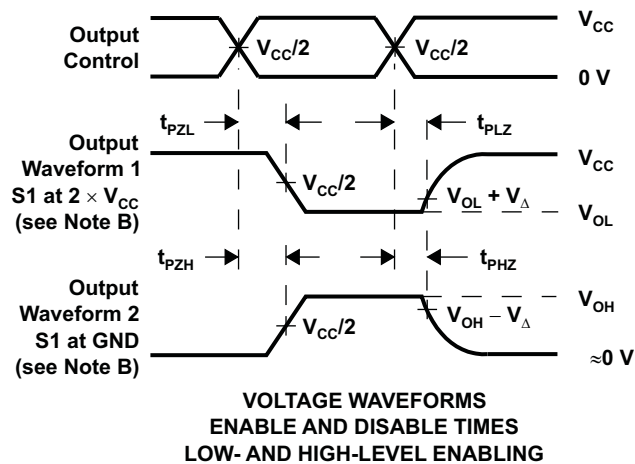


## 8.2 Enable and Disable Times



LOAD CIRCUIT

|              | $V_{CC} = 0.8 \text{ V}$ | $V_{CC} = 1.2 \text{ V}$<br>$\pm 0.1 \text{ V}$ | $V_{CC} = 1.5 \text{ V}$<br>$\pm 0.1 \text{ V}$ | $V_{CC} = 1.8 \text{ V}$<br>$\pm 0.15 \text{ V}$ | $V_{CC} = 2.5 \text{ V}$<br>$\pm 0.2 \text{ V}$ | $V_{CC} = 3.3 \text{ V}$<br>$\pm 0.3 \text{ V}$ |
|--------------|--------------------------|---|---|--|---|---|
| $C_L$        | 5, 10, 15, 30 pF         | 5, 10, 15, 30 pF                                | 5, 10, 15, 30 pF                                | 5, 10, 15, 30 pF                                 | 5, 10, 15, 30 pF                                | 5, 10, 15, 30 pF                                |
| $V_M$        | $V_{CC}/2$               | $V_{CC}/2$                                      | $V_{CC}/2$                                      | $V_{CC}/2$                                       | $V_{CC}/2$                                      | $V_{CC}/2$                                      |
| $V_I$        | $V_{CC}$                 | $V_{CC}$  | $V_{CC}$  | $V_{CC}$   | $V_{CC}$  | $V_{CC}$  |
| $V_{\Delta}$ | 0.1 V                    | 0.1 V   | 0.1 V   | 0.15 V   | 0.15 V  | 0.3 V   |



- NOTES:
- A.  $C_L$  includes probe and jig capacitance.
  - B. Waveform 1 is for an output with internal conditions such that the output is low, except when disabled by the output control. Waveform 2 is for an output with internal conditions such that the output is high, except when disabled by the output control.
  - C. All input pulses are supplied by generators having the following characteristics:  $PRR \leq 10 \text{ MHz}$ ,  $Z_O = 50 \Omega$ ,  $t_r/t_f = 3 \text{ ns}$ .
  - D. The outputs are measured one at a time, with one transition per measurement.
  - E.  $t_{PLZ}$  and  $t_{PHZ}$  are the same as  $t_{dis}$ .
  - F.  $t_{PZL}$  and  $t_{PZH}$  are the same as  $t_{en}$ .
  - G. All parameters and waveforms are not applicable to all devices.

Figure 4. Load Circuit and Voltage Waveforms

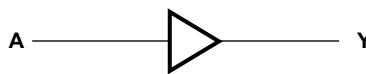
## 9 Detailed Description

### 9.1 Overview

This single buffer gate operates from 0.8 V to 3.6 V and performs the Boolean function  $Y = A$  in positive logic. The AUP family of devices has quiescent power consumption less than 1  $\mu\text{A}$  and comes in the ultra small DPW package. The DPW package technology is a major breakthrough in IC packaging. Its tiny 0.64 mm square footprint saves significant board space over other package options while still retaining the traditional manufacturing friendly lead pitch of 0.5 mm.

This device is fully specified for partial-power-down applications using  $I_{\text{off}}$ . The  $I_{\text{off}}$  circuitry disables the outputs, preventing damaging current back-flow through the device when it is powered. The  $I_{\text{off}}$  feature also allows for live insertion.

### 9.2 Functional Block Diagram



### 9.3 Feature Description

- Wide operating  $V_{\text{CC}}$  range of 0.8 V to 3.6 V
- 3.6-V I/O tolerant to support down translation
- Input hysteresis allows slow input transition and better switching noise immunity at the input
- $I_{\text{off}}$  feature allows voltages on the inputs and outputs when  $V_{\text{CC}}$  is 0 V
- Low noise due to slower edge rates

### 9.4 Device Functional Modes

**Table 1. Function Table**

| INPUT<br>A | OUTPUT<br>Y |
|------------|-------------|
| H          | H           |
| L          | L           |

## 10 Application and Implementation

### 10.1 Application Information

The AUP family is TI's premier solution to the industry's low-power needs in battery-powered portable applications. This family ensures a very low static and dynamic power consumption across the entire  $V_{CC}$  range of 0.8 V to 3.6 V, resulting in an increased battery life. This product also maintains excellent signal integrity. It has a small amount of hysteresis built in allowing for slower or noisy input signals. The lowered drive produces slower edges and prevents overshoot and undershoot on the outputs.

The AUP family of single gate logic makes excellent translators for the new lower voltage Micro- processors that typically are powered from 0.8 V to 1.2 V. They can drop the voltage of peripheral drivers and accessories that are still powered by 3.3 V to the new uC power levels.

### 10.2 Typical Application

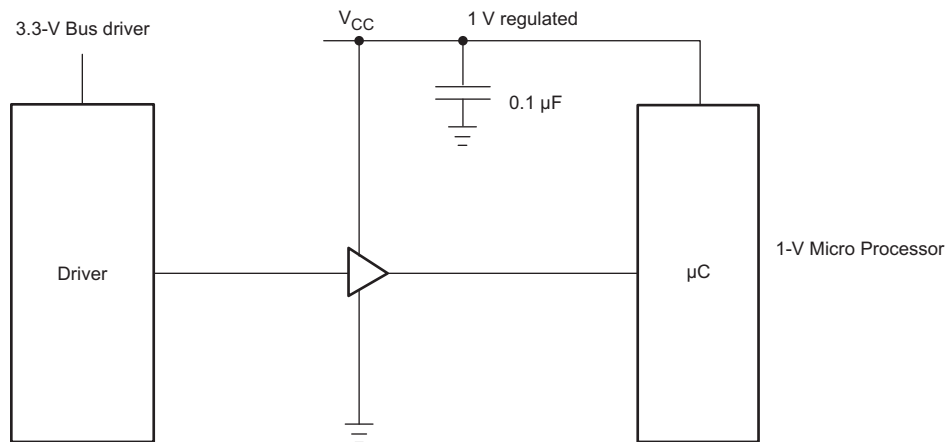


Figure 5. Typical Application

#### 10.2.1 Design Requirements

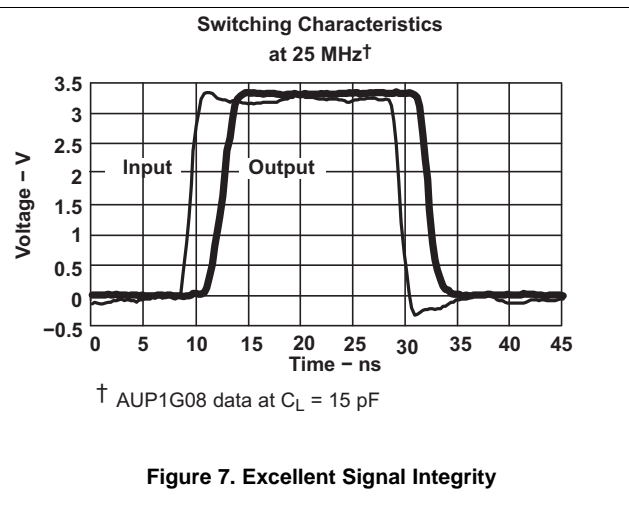
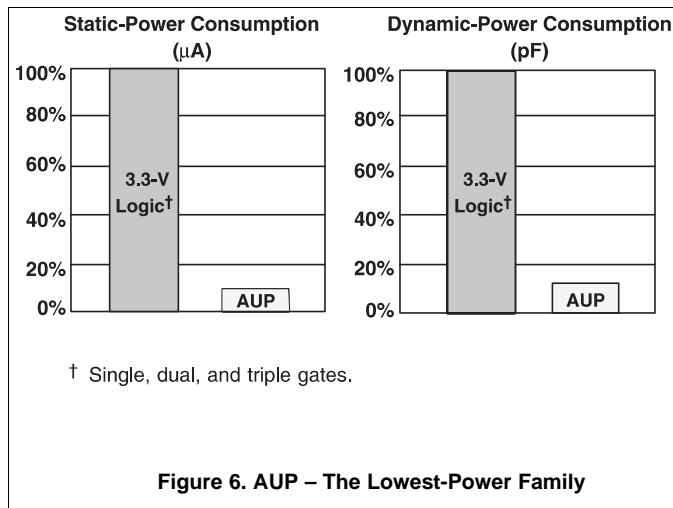
This device uses CMOS technology and has balanced output drive. Care should be taken to avoid bus contention because it can drive currents that would exceed maximum limits.

#### 10.2.2 Detailed Design Procedure

1. Recommended Input conditions
  - Rise time and fall time specifications. See  $(\Delta t/\Delta V)$  in [Recommended Operating Conditions](#) table.
  - Specified high and low levels. See  $(V_{IH}$  and  $V_{IL})$  in [Recommended Operating Conditions](#) table.
  - Inputs are overvoltage tolerant allowing them to go as high as 3.6 V at any valid  $V_{CC}$
2. Recommend output conditions
  - Load currents should not exceed 20 mA on the output and 50 mA total for the part
  - Outputs should not be pulled above  $V_{CC}$

## Typical Application (continued)

### 10.2.3 Application Curves



## 11 Power Supply Recommendations

The power supply can be any voltage between the Min and Max supply voltage rating located in the [Recommended Operating Conditions](#) table.

Each  $V_{CC}$  terminal should have a good bypass capacitor to prevent power disturbance. For devices with a single supply, 0.1  $\mu\text{F}$  is recommended and if there are multiple  $V_{CC}$  terminals then .01  $\mu\text{F}$  or .022  $\mu\text{F}$  is recommended for each power terminal. It is ok to parallel multiple bypass caps to reject different frequencies of noise. A 0.1  $\mu\text{F}$  and 1  $\mu\text{F}$  are commonly used in parallel. The bypass capacitor should be installed as close to the power terminal as possible for best results.

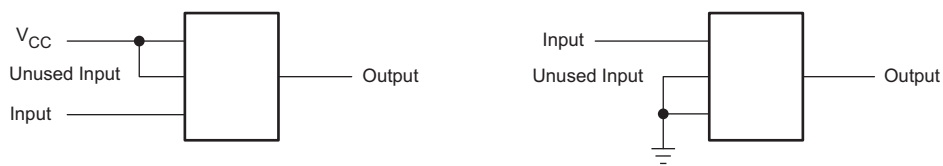
## 12 Layout

### 12.1 Layout Guidelines

When using multiple bit logic devices inputs should not ever float.

In many cases, functions or parts of functions of digital logic devices are unused, for example, when only two inputs of a triple-input AND gate are used or only 3 of the 4 buffer gates are used. Such input pins should not be left unconnected because the undefined voltages at the outside connections result in undefined operational states. Specified below are the rules that must be observed under all circumstances. All unused inputs of digital logic devices must be connected to a high or low bias to prevent them from floating. The logic level that should be applied to any particular unused input depends on the function of the device. Generally they will be tied to GND or  $V_{CC}$  whichever make more sense or is more convenient. It is generally OK to float outputs unless the part is a transceiver. If the transceiver has an output enable pin it will disable the outputs section of the part when asserted. This will not disable the input section of the I.O's so they also cannot float when disabled.

### 12.2 Layout Example



## 13 Device and Documentation Support

### 13.1 Trademarks

All trademarks are the property of their respective owners.

### 13.2 Electrostatic Discharge Caution



These devices have limited built-in ESD protection. The leads should be shorted together or the device placed in conductive foam during storage or handling to prevent electrostatic damage to the MOS gates.

### 13.3 Glossary

[SLYZ022](#) — *TI Glossary*.

This glossary lists and explains terms, acronyms, and definitions.

## 14 Mechanical, Packaging, and Orderable Information

The following pages include mechanical, packaging, and orderable information. This information is the most current data available for the designated devices. This data is subject to change without notice and revision of this document. For browser-based versions of this data sheet, refer to the left-hand navigation.

**PACKAGING INFORMATION**

| Orderable Device | Status<br>(1) | Package Type | Package Drawing | Pins | Package Qty | Eco Plan<br>(2)         | Lead finish/<br>Ball material<br>(6) | MSL Peak Temp<br>(3) | Op Temp (°C) | Device Marking<br>(4/5) | Samples                 |
|------------------|---------------|--------------|-----------------|------|-------------|-------------------------|--------------------------------------|----------------------|--------------|-------------------------|-------------------------|
| SN74AUP1G34DBVR  | ACTIVE        | SOT-23       | DBV             | 5    | 3000        | Green (RoHS & no Sb/Br) | NIPDAU                               | Level-1-260C-UNLIM   | -40 to 85    | H34R                    | <a href="#">Samples</a> |
| SN74AUP1G34DBVT  | ACTIVE        | SOT-23       | DBV             | 5    | 250         | Green (RoHS & no Sb/Br) | NIPDAU                               | Level-1-260C-UNLIM   | -40 to 85    | H34R                    | <a href="#">Samples</a> |
| SN74AUP1G34DCKR  | ACTIVE        | SC70         | DCK             | 5    | 3000        | Green (RoHS & no Sb/Br) | NIPDAU                               | Level-1-260C-UNLIM   | -40 to 85    | (H95, H9F, H9K, H9R)    | <a href="#">Samples</a> |
| SN74AUP1G34DCKT  | ACTIVE        | SC70         | DCK             | 5    | 250         | Green (RoHS & no Sb/Br) | NIPDAU                               | Level-1-260C-UNLIM   | -40 to 85    | (H95, H9R)              | <a href="#">Samples</a> |
| SN74AUP1G34DPWR  | ACTIVE        | X2SON        | DPW             | 5    | 3000        | Green (RoHS & no Sb/Br) | NIPDAU                               | Level-1-260C-UNLIM   | -40 to 85    | G4                      | <a href="#">Samples</a> |
| SN74AUP1G34DRLR  | ACTIVE        | SOT-5X3      | DRL             | 5    | 4000        | Green (RoHS & no Sb/Br) | NIPDAU   NIPDAUAG                    | Level-1-260C-UNLIM   | -40 to 85    | (H97, H9R)              | <a href="#">Samples</a> |
| SN74AUP1G34DRYR  | ACTIVE        | SON          | DRY             | 6    | 5000        | Green (RoHS & no Sb/Br) | NIPDAU   NIPDAUAG                    | Level-1-260C-UNLIM   | -40 to 85    | H9                      | <a href="#">Samples</a> |
| SN74AUP1G34DSFR  | ACTIVE        | SON          | DSF             | 6    | 5000        | Green (RoHS & no Sb/Br) | NIPDAU   NIPDAUAG                    | Level-1-260C-UNLIM   |              | H9                      | <a href="#">Samples</a> |
| SN74AUP1G34YFPR  | ACTIVE        | DSBGA        | YFP             | 4    | 3000        | Green (RoHS & no Sb/Br) | SNAGCU                               | Level-1-260C-UNLIM   |              | H9<br>N                 | <a href="#">Samples</a> |
| SN74AUP1G34YZPR  | ACTIVE        | DSBGA        | YZP             | 5    | 3000        | Green (RoHS & no Sb/Br) | SNAGCU                               | Level-1-260C-UNLIM   | -40 to 85    | H9N                     | <a href="#">Samples</a> |

(1) The marketing status values are defined as follows:

**ACTIVE:** Product device recommended for new designs.

**LIFEBUY:** TI has announced that the device will be discontinued, and a lifetime-buy period is in effect.

**NRND:** Not recommended for new designs. Device is in production to support existing customers, but TI does not recommend using this part in a new design.

**PREVIEW:** Device has been announced but is not in production. Samples may or may not be available.

**OBSELETE:** TI has discontinued the production of the device.

(2) **RoHS:** TI defines "RoHS" to mean semiconductor products that are compliant with the current EU RoHS requirements for all 10 RoHS substances, including the requirement that RoHS substance do not exceed 0.1% by weight in homogeneous materials. Where designed to be soldered at high temperatures, "RoHS" products are suitable for use in specified lead-free processes. TI may reference these types of products as "Pb-Free".

**RoHS Exempt:** TI defines "RoHS Exempt" to mean products that contain lead but are compliant with EU RoHS pursuant to a specific EU RoHS exemption.

**Green:** TI defines "Green" to mean the content of Chlorine (Cl) and Bromine (Br) based flame retardants meet JS709B low halogen requirements of <=1000ppm threshold. Antimony trioxide based flame retardants must also meet the <=1000ppm threshold requirement.

- (3) MSL, Peak Temp. - The Moisture Sensitivity Level rating according to the JEDEC industry standard classifications, and peak solder temperature.
- (4) There may be additional marking, which relates to the logo, the lot trace code information, or the environmental category on the device.
- (5) Multiple Device Markings will be inside parentheses. Only one Device Marking contained in parentheses and separated by a "~" will appear on a device. If a line is indented then it is a continuation of the previous line and the two combined represent the entire Device Marking for that device.
- (6) Lead finish/Ball material - Orderable Devices may have multiple material finish options. Finish options are separated by a vertical ruled line. Lead finish/Ball material values may wrap to two lines if the finish value exceeds the maximum column width.

**Important Information and Disclaimer:**The information provided on this page represents TI's knowledge and belief as of the date that it is provided. TI bases its knowledge and belief on information provided by third parties, and makes no representation or warranty as to the accuracy of such information. Efforts are underway to better integrate information from third parties. TI has taken and continues to take reasonable steps to provide representative and accurate information but may not have conducted destructive testing or chemical analysis on incoming materials and chemicals. TI and TI suppliers consider certain information to be proprietary, and thus CAS numbers and other limited information may not be available for release.

In no event shall TI's liability arising out of such information exceed the total purchase price of the TI part(s) at issue in this document sold by TI to Customer on an annual basis.

## TAPE AND REEL INFORMATION



### QUADRANT ASSIGNMENTS FOR PIN 1 ORIENTATION IN TAPE



\*All dimensions are nominal

| Device          | Package Type | Package Drawing | Pins | SPQ  | Reel Diameter (mm) | Reel Width W1 (mm) | A0 (mm) | B0 (mm) | K0 (mm) | P1 (mm) | W (mm) | Pin1 Quadrant |
|-----------------|--------------|-----------------|------|------|--------------------|--------------------|---------|---------|---------|---------|--------|---------------|
| SN74AUP1G34DBVR | SOT-23       | DBV             | 5    | 3000 | 180.0              | 8.4                | 3.23    | 3.17    | 1.37    | 4.0     | 8.0    | Q3            |
| SN74AUP1G34DBVT | SOT-23       | DBV             | 5    | 250  | 180.0              | 8.4                | 3.23    | 3.17    | 1.37    | 4.0     | 8.0    | Q3            |
| SN74AUP1G34DCKR | SC70         | DCK             | 5    | 3000 | 180.0              | 8.4                | 2.47    | 2.3     | 1.25    | 4.0     | 8.0    | Q3            |
| SN74AUP1G34DCKR | SC70         | DCK             | 5    | 3000 | 178.0              | 9.2                | 2.4     | 2.4     | 1.22    | 4.0     | 8.0    | Q3            |
| SN74AUP1G34DCKT | SC70         | DCK             | 5    | 250  | 178.0              | 9.2                | 2.4     | 2.4     | 1.22    | 4.0     | 8.0    | Q3            |
| SN74AUP1G34DPWR | X2SON        | DPW             | 5    | 3000 | 178.0              | 8.4                | 0.91    | 0.91    | 0.5     | 2.0     | 8.0    | Q3            |
| SN74AUP1G34DRLR | SOT-5X3      | DRL             | 5    | 4000 | 180.0              | 8.4                | 1.98    | 1.78    | 0.69    | 4.0     | 8.0    | Q3            |
| SN74AUP1G34DRLR | SOT-5X3      | DRL             | 5    | 4000 | 180.0              | 9.5                | 1.78    | 1.78    | 0.69    | 4.0     | 8.0    | Q3            |
| SN74AUP1G34DRYR | SON          | DRY             | 6    | 5000 | 180.0              | 9.5                | 1.15    | 1.6     | 0.75    | 4.0     | 8.0    | Q1            |
| SN74AUP1G34DSFR | SON          | DSF             | 6    | 5000 | 180.0              | 9.5                | 1.16    | 1.16    | 0.5     | 4.0     | 8.0    | Q2            |
| SN74AUP1G34YFPR | DSBGA        | YFP             | 4    | 3000 | 178.0              | 9.2                | 0.89    | 0.89    | 0.58    | 4.0     | 8.0    | Q1            |
| SN74AUP1G34YZPR | DSBGA        | YZP             | 5    | 3000 | 178.0              | 9.2                | 1.02    | 1.52    | 0.63    | 4.0     | 8.0    | Q1            |



**TAPE AND REEL BOX DIMENSIONS**


\*All dimensions are nominal

| Device          | Package Type | Package Drawing | Pins | SPQ  | Length (mm) | Width (mm) | Height (mm) |
|-----------------|--------------|-----------------|------|------|-------------|------------|-------------|
| SN74AUP1G34DBVR | SOT-23       | DBV             | 5    | 3000 | 202.0       | 201.0      | 28.0        |
| SN74AUP1G34DBVT | SOT-23       | DBV             | 5    | 250  | 202.0       | 201.0      | 28.0        |
| SN74AUP1G34DCKR | SC70         | DCK             | 5    | 3000 | 202.0       | 201.0      | 28.0        |
| SN74AUP1G34DCKR | SC70         | DCK             | 5    | 3000 | 180.0       | 180.0      | 18.0        |
| SN74AUP1G34DCKT | SC70         | DCK             | 5    | 250  | 180.0       | 180.0      | 18.0        |
| SN74AUP1G34DPWR | X2SON        | DPW             | 5    | 3000 | 205.0       | 200.0      | 33.0        |
| SN74AUP1G34DRLR | SOT-5X3      | DRL             | 5    | 4000 | 202.0       | 201.0      | 28.0        |
| SN74AUP1G34DRLR | SOT-5X3      | DRL             | 5    | 4000 | 184.0       | 184.0      | 19.0        |
| SN74AUP1G34DRYR | SON          | DRY             | 6    | 5000 | 184.0       | 184.0      | 19.0        |
| SN74AUP1G34DSFR | SON          | DSF             | 6    | 5000 | 184.0       | 184.0      | 19.0        |
| SN74AUP1G34YFPR | DSBGA        | YFP             | 4    | 3000 | 220.0       | 220.0      | 35.0        |
| SN74AUP1G34YZPR | DSBGA        | YZP             | 5    | 3000 | 220.0       | 220.0      | 35.0        |

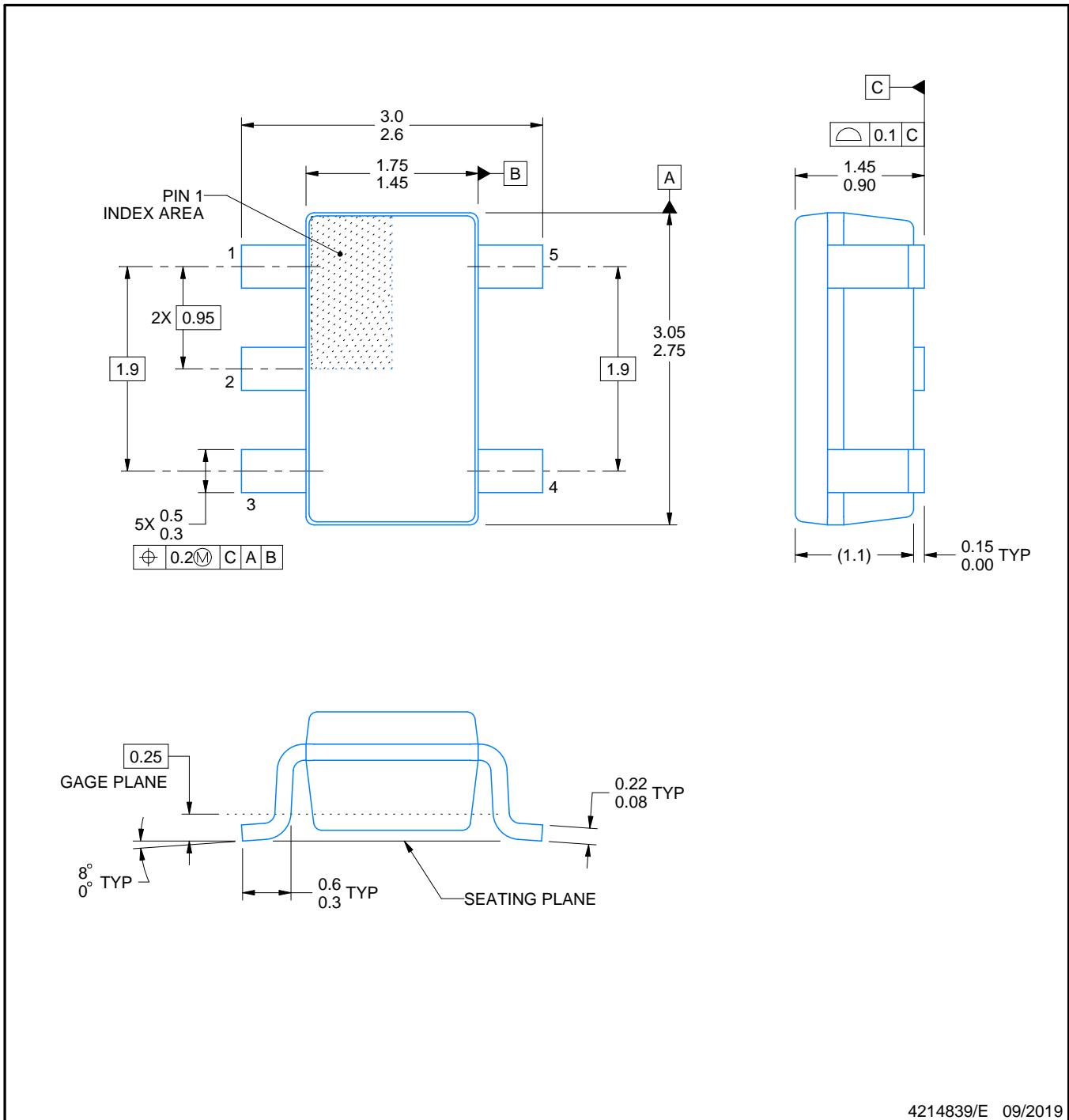
# DBV0005A



# PACKAGE OUTLINE

## SOT-23 - 1.45 mm max height

SMALL OUTLINE TRANSISTOR



4214839/E 09/2019

### NOTES:

1. All linear dimensions are in millimeters. Any dimensions in parenthesis are for reference only. Dimensioning and tolerancing per ASME Y14.5M.
2. This drawing is subject to change without notice.
3. Reference JEDEC MO-178.
4. Body dimensions do not include mold flash, protrusions, or gate burrs. Mold flash, protrusions, or gate burrs shall not exceed 0.15 mm per side.

# EXAMPLE BOARD LAYOUT

DBV0005A

SOT-23 - 1.45 mm max height

SMALL OUTLINE TRANSISTOR



LAND PATTERN EXAMPLE  
EXPOSED METAL SHOWN  
SCALE:15X



SOLDER MASK DETAILS

4214839/E 09/2019

NOTES: (continued)

- 5. Publication IPC-7351 may have alternate designs.
- 6. Solder mask tolerances between and around signal pads can vary based on board fabrication site.

# EXAMPLE STENCIL DESIGN

DBV0005A

SOT-23 - 1.45 mm max height

SMALL OUTLINE TRANSISTOR



SOLDER PASTE EXAMPLE  
BASED ON 0.125 mm THICK STENCIL  
SCALE:15X

4214839/E 09/2019

NOTES: (continued)

7. Laser cutting apertures with trapezoidal walls and rounded corners may offer better paste release. IPC-7525 may have alternate design recommendations.
8. Board assembly site may have different recommendations for stencil design.

## GENERIC PACKAGE VIEW

DPW 5

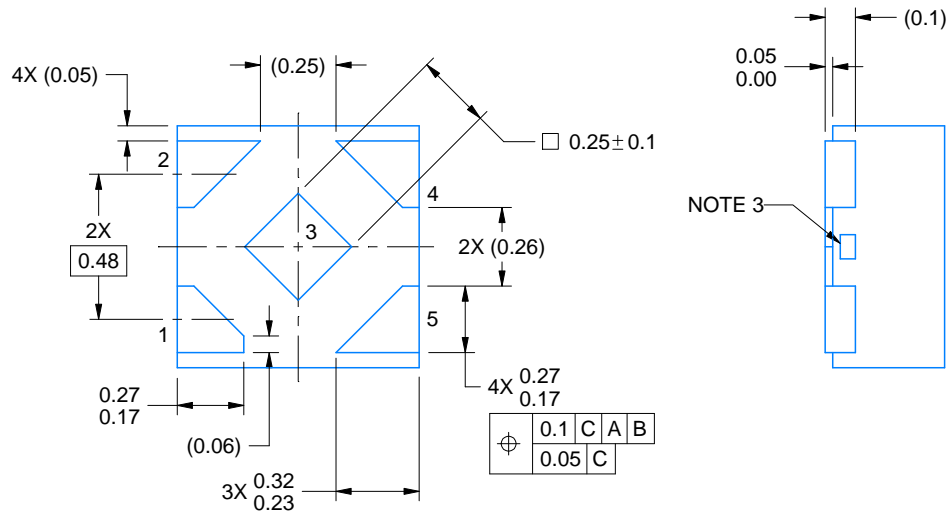
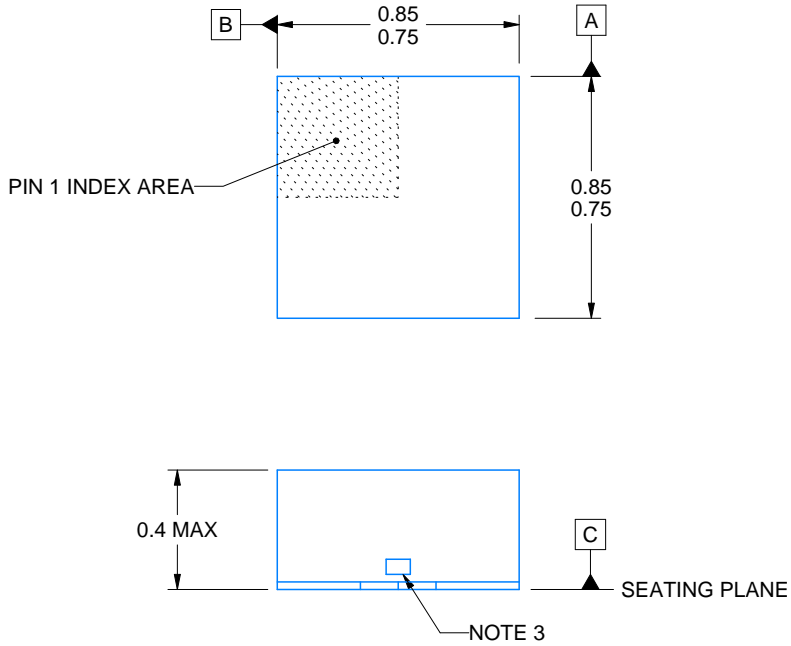
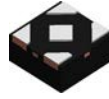
X2SON - 0.4 mm max height

PLASTIC SMALL OUTLINE - NO LEAD



Images above are just a representation of the package family, actual package may vary.  
Refer to the product data sheet for package details.

4211218-3/D



4223102/B 09/2017

NOTES:

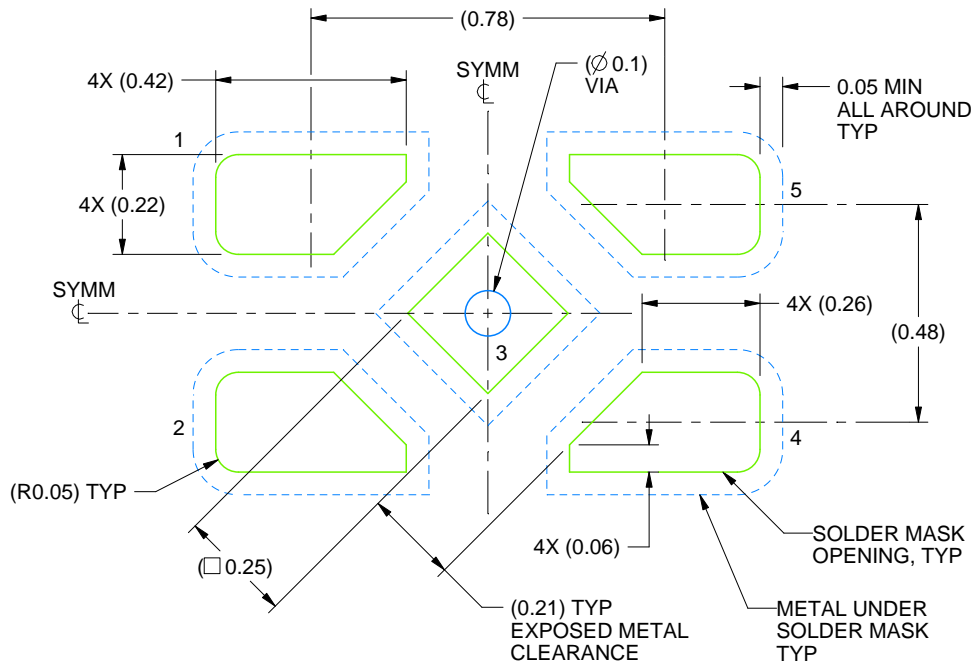
1. All linear dimensions are in millimeters. Any dimensions in parenthesis are for reference only. Dimensioning and tolerancing per ASME Y14.5M.
2. This drawing is subject to change without notice.
3. The size and shape of this feature may vary.

# EXAMPLE BOARD LAYOUT

DPW0005A

X2SON - 0.4 mm max height

PLASTIC SMALL OUTLINE - NO LEAD



LAND PATTERN EXAMPLE  
SOLDER MASK DEFINED  
SCALE:60X

4223102/B 09/2017

NOTES: (continued)

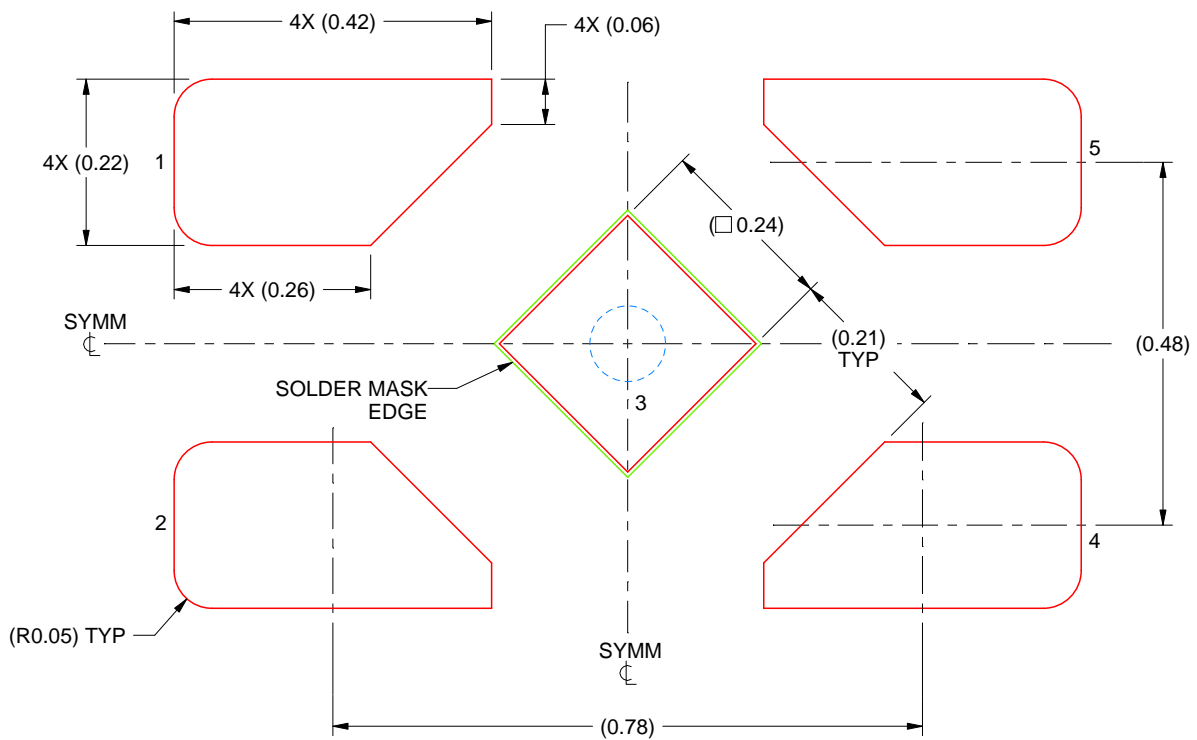
4. This package is designed to be soldered to a thermal pad on the board. For more information, refer to QFN/SON PCB application note in literature No. SLUA271 ([www.ti.com/lit/sl原因271](http://www.ti.com/lit/sl原因271)).

# EXAMPLE STENCIL DESIGN

DPW0005A

X2SON - 0.4 mm max height

PLASTIC SMALL OUTLINE - NO LEAD



SOLDER PASTE EXAMPLE  
BASED ON 0.1 mm THICK STENCIL

EXPOSED PAD  
92% PRINTED SOLDER COVERAGE BY AREA  
SCALE:100X

4223102/B 09/2017

NOTES: (continued)

5. Laser cutting apertures with trapezoidal walls and rounded corners may offer better paste release. IPC-7525 may have alternate design recommendations.



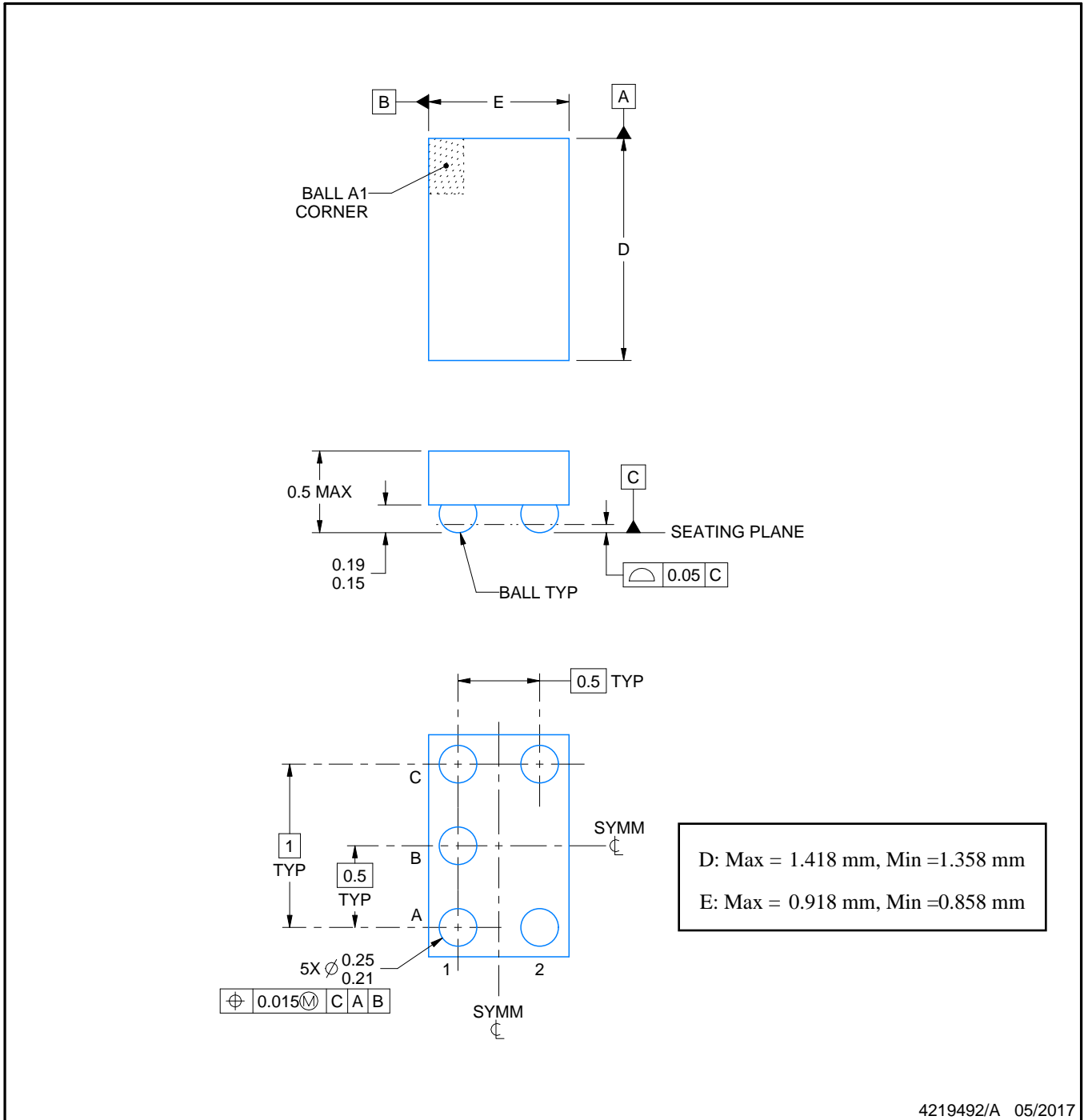
YZP0005



# PACKAGE OUTLINE

DSBGA - 0.5 mm max height

DIE SIZE BALL GRID ARRAY



NOTES:

1. All linear dimensions are in millimeters. Any dimensions in parenthesis are for reference only. Dimensioning and tolerancing per ASME Y14.5M.
2. This drawing is subject to change without notice.

# EXAMPLE BOARD LAYOUT

YZP0005

DSBGA - 0.5 mm max height

DIE SIZE BALL GRID ARRAY



LAND PATTERN EXAMPLE  
SCALE:40X



SOLDER MASK DETAILS  
NOT TO SCALE

4219492/A 05/2017

NOTES: (continued)

3. Final dimensions may vary due to manufacturing tolerance considerations and also routing constraints. For more information, see Texas Instruments literature number SNVA009 ([www.ti.com/lit/snva009](http://www.ti.com/lit/snva009)).

# EXAMPLE STENCIL DESIGN

YZP0005

DSBGA - 0.5 mm max height

DIE SIZE BALL GRID ARRAY

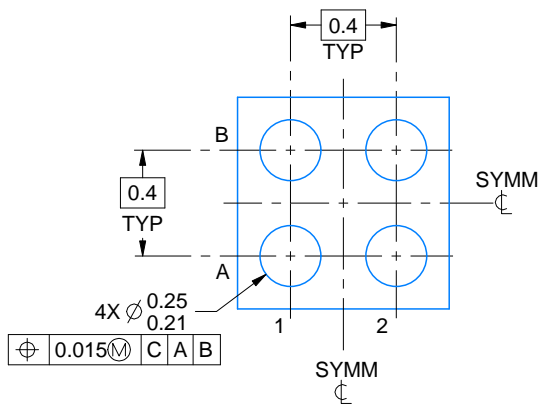
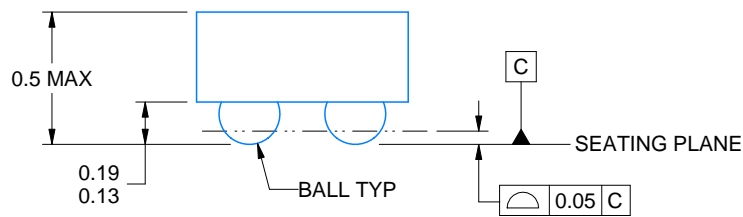
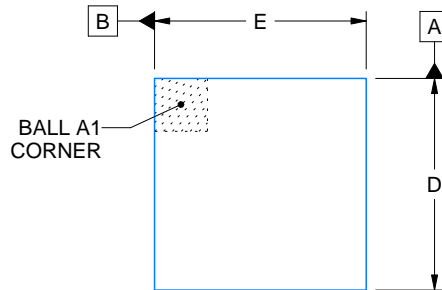


SOLDER PASTE EXAMPLE  
BASED ON 0.1 mm THICK STENCIL  
SCALE:40X

4219492/A 05/2017

NOTES: (continued)

4. Laser cutting apertures with trapezoidal walls and rounded corners may offer better paste release.



D: Max = 0.79 mm, Min = 0.73 mm  
 E: Max = 0.79 mm, Min = 0.73 mm

4223507/A 01/2017

NOTES:

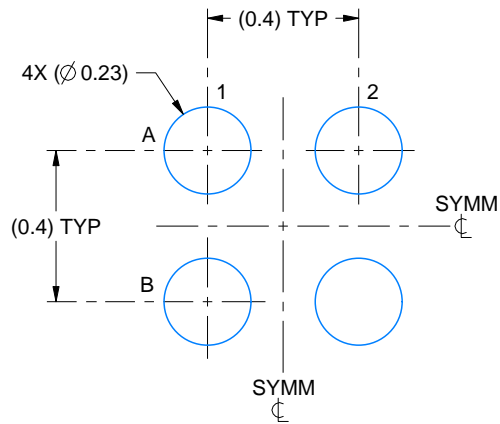
1. All linear dimensions are in millimeters. Any dimensions in parenthesis are for reference only. Dimensioning and tolerancing per ASME Y14.5M.
2. This drawing is subject to change without notice.

# EXAMPLE BOARD LAYOUT

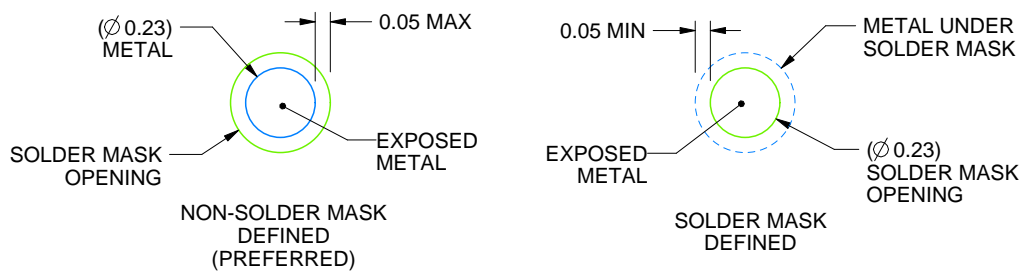
YFP0004

DSBGA - 0.5 mm max height

DIE SIZE BALL GRID ARRAY



LAND PATTERN EXAMPLE  
EXPOSED METAL SHOWN  
SCALE:50X



SOLDER MASK DETAILS  
NOT TO SCALE

4223507/A 01/2017

NOTES: (continued)

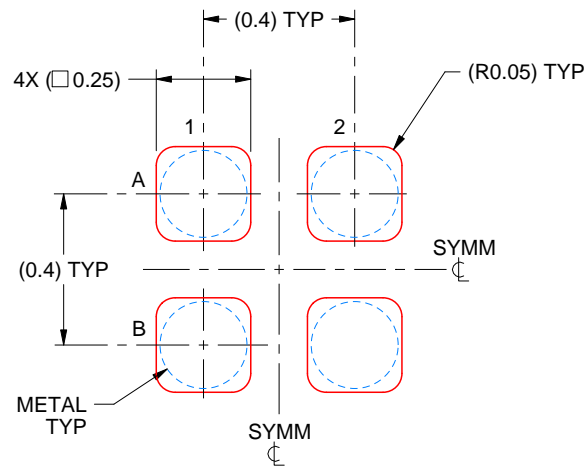
- Final dimensions may vary due to manufacturing tolerance considerations and also routing constraints. For more information, see Texas Instruments literature number SNVA009 ([www.ti.com/lit/snva009](http://www.ti.com/lit/snva009)).

# EXAMPLE STENCIL DESIGN

YFP0004

DSBGA - 0.5 mm max height

DIE SIZE BALL GRID ARRAY



SOLDER PASTE EXAMPLE  
BASED ON 0.1 mm THICK STENCIL  
SCALE:50X

4223507/A 01/2017

NOTES: (continued)

4. Laser cutting apertures with trapezoidal walls and rounded corners may offer better paste release.



- NOTES:
- A. All linear dimensions are in millimeters. Dimensioning and tolerancing per ASME Y14.5M-1994.
  - B. This drawing is subject to change without notice.
  - C. Body dimensions do not include mold flash, interlead flash, protrusions, or gate burrs. Mold flash, interlead flash, protrusions, or gate burrs shall not exceed 0,15 per end or side.
  - D. JEDEC package registration is pending.



- NOTES:
- A. All linear dimensions are in millimeters.
  - B. This drawing is subject to change without notice.
  - C. Publication IPC-7351 is recommended for alternate designs.
  - D. Customers should contact their board fabrication site for minimum solder mask web tolerances between signal pads.
  - E. Maximum stencil thickness 0,127 mm (5 mils). All linear dimensions are in millimeters.
  - F. Laser cutting apertures with trapezoidal walls and also rounding corners will offer better paste release. Customers should contact their board assembly site for stencil design recommendations. Refer to IPC 7525 for stencil design considerations.
  - G. Side aperture dimensions over-print land for acceptable area ratio > 0.66. Customer may reduce side aperture dimensions if stencil manufacturing process allows for sufficient release at smaller opening.



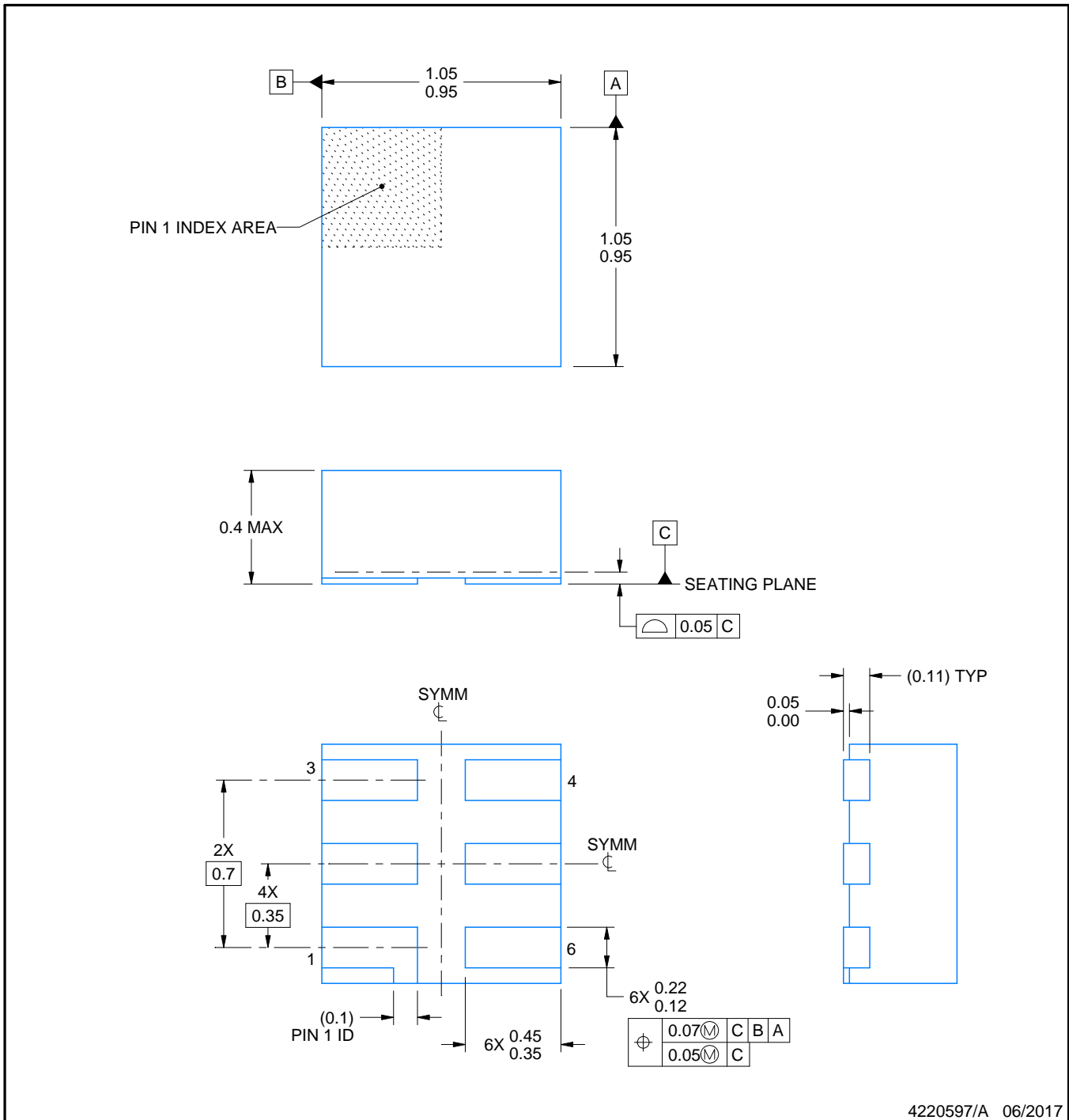


# PACKAGE OUTLINE

## DSF0006A

### X2SON - 0.4 mm max height

PLASTIC SMALL OUTLINE - NO LEAD



#### NOTES:

1. All linear dimensions are in millimeters. Any dimensions in parenthesis are for reference only. Dimensioning and tolerancing per ASME Y14.5M.
2. This drawing is subject to change without notice.
3. Reference JEDEC registration MO-287, variation X2AAF.

# EXAMPLE BOARD LAYOUT

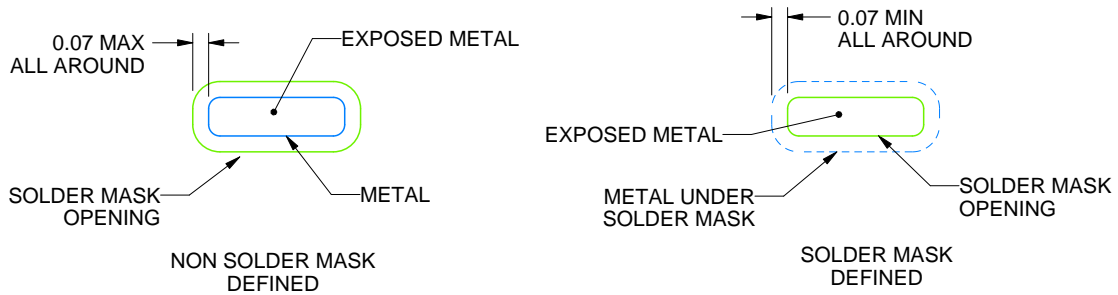
DSF0006A

X2SON - 0.4 mm max height

PLASTIC SMALL OUTLINE - NO LEAD



LAND PATTERN EXAMPLE  
EXPOSED METAL SHOWN  
SCALE:40X



SOLDER MASK DETAILS

4220597/A 06/2017

NOTES: (continued)

4. For more information, see Texas Instruments literature number SLUA271 ([www.ti.com/lit/slua271](http://www.ti.com/lit/slua271)).

# EXAMPLE STENCIL DESIGN

DSF0006A

X2SON - 0.4 mm max height

PLASTIC SMALL OUTLINE - NO LEAD



SOLDER PASTE EXAMPLE  
BASED ON 0.125 mm THICK STENCIL  
PRINTED SOLDER COVERAGE BY AREA UNDER PACKAGE  
SCALE:40X

4220597/A 06/2017

4. Laser cutting apertures with trapezoidal walls and rounded corners may offer better paste release. IPC-7525 may have alternate design recommendations.

DCK (R-PDSO-G5)

PLASTIC SMALL-OUTLINE PACKAGE



- NOTES:
- A. All linear dimensions are in millimeters.
  - B. This drawing is subject to change without notice.
  - C. Body dimensions do not include mold flash or protrusion. Mold flash and protrusion shall not exceed 0.15 per side.
  - D. Falls within JEDEC MO-203 variation AA.

DCK (R-PDSO-G5)

PLASTIC SMALL OUTLINE



- NOTES:
- All linear dimensions are in millimeters.
  - This drawing is subject to change without notice.
  - Customers should place a note on the circuit board fabrication drawing not to alter the center solder mask defined pad.
  - Publication IPC-7351 is recommended for alternate designs.
  - Laser cutting apertures with trapezoidal walls and also rounding corners will offer better paste release. Customers should contact their board assembly site for stencil design recommendations. Example stencil design based on a 50% volumetric metal load solder paste. Refer to IPC-7525 for other stencil recommendations.

## GENERIC PACKAGE VIEW

**DRY 6**

**USON - 0.6 mm max height**

PLASTIC SMALL OUTLINE - NO LEAD



Images above are just a representation of the package family, actual package may vary.  
Refer to the product data sheet for package details.

4207181/G

DRY0006A



# PACKAGE OUTLINE

USON - 0.6 mm max height

PLASTIC SMALL OUTLINE - NO LEAD



NOTES:

1. All linear dimensions are in millimeters. Any dimensions in parenthesis are for reference only. Dimensioning and tolerancing per ASME Y14.5M.
2. This drawing is subject to change without notice.

# EXAMPLE BOARD LAYOUT

DRY0006A

USON - 0.6 mm max height

PLASTIC SMALL OUTLINE - NO LEAD



LAND PATTERN EXAMPLE  
1:1 RATIO WITH PKG SOLDER PADS  
EXPOSED METAL SHOWN  
SCALE:40X



SOLDER MASK DETAILS

4222894/A 01/2018

NOTES: (continued)

3. For more information, see QFN/SON PCB application report in literature No. SLUA271 ([www.ti.com/lit/slue271](http://www.ti.com/lit/slue271)).



# EXAMPLE STENCIL DESIGN

DRY0006A

USON - 0.6 mm max height

PLASTIC SMALL OUTLINE - NO LEAD



SOLDER PASTE EXAMPLE  
BASED ON 0.075 - 0.1 mm THICK STENCIL  
SCALE:40X

4222894/A 01/2018

NOTES: (continued)

4. Laser cutting apertures with trapezoidal walls and rounded corners may offer better paste release. IPC-7525 may have alternate design recommendations.

## IMPORTANT NOTICE AND DISCLAIMER

TI PROVIDES TECHNICAL AND RELIABILITY DATA (INCLUDING DATASHEETS), DESIGN RESOURCES (INCLUDING REFERENCE DESIGNS), APPLICATION OR OTHER DESIGN ADVICE, WEB TOOLS, SAFETY INFORMATION, AND OTHER RESOURCES "AS IS" AND WITH ALL FAULTS, AND DISCLAIMS ALL WARRANTIES, EXPRESS AND IMPLIED, INCLUDING WITHOUT LIMITATION ANY IMPLIED WARRANTIES OF MERCHANTABILITY, FITNESS FOR A PARTICULAR PURPOSE OR NON-INFRINGEMENT OF THIRD PARTY INTELLECTUAL PROPERTY RIGHTS.

These resources are intended for skilled developers designing with TI products. You are solely responsible for (1) selecting the appropriate TI products for your application, (2) designing, validating and testing your application, and (3) ensuring your application meets applicable standards, and any other safety, security, or other requirements. These resources are subject to change without notice. TI grants you permission to use these resources only for development of an application that uses the TI products described in the resource. Other reproduction and display of these resources is prohibited. No license is granted to any other TI intellectual property right or to any third party intellectual property right. TI disclaims responsibility for, and you will fully indemnify TI and its representatives against, any claims, damages, costs, losses, and liabilities arising out of your use of these resources.

TI's products are provided subject to TI's Terms of Sale ([www.ti.com/legal/termsofsale.html](http://www.ti.com/legal/termsofsale.html)) or other applicable terms available either on [ti.com](http://ti.com) or provided in conjunction with such TI products. TI's provision of these resources does not expand or otherwise alter TI's applicable warranties or warranty disclaimers for TI products.

Mailing Address: Texas Instruments, Post Office Box 655303, Dallas, Texas 75265  
Copyright © 2020, Texas Instruments Incorporated