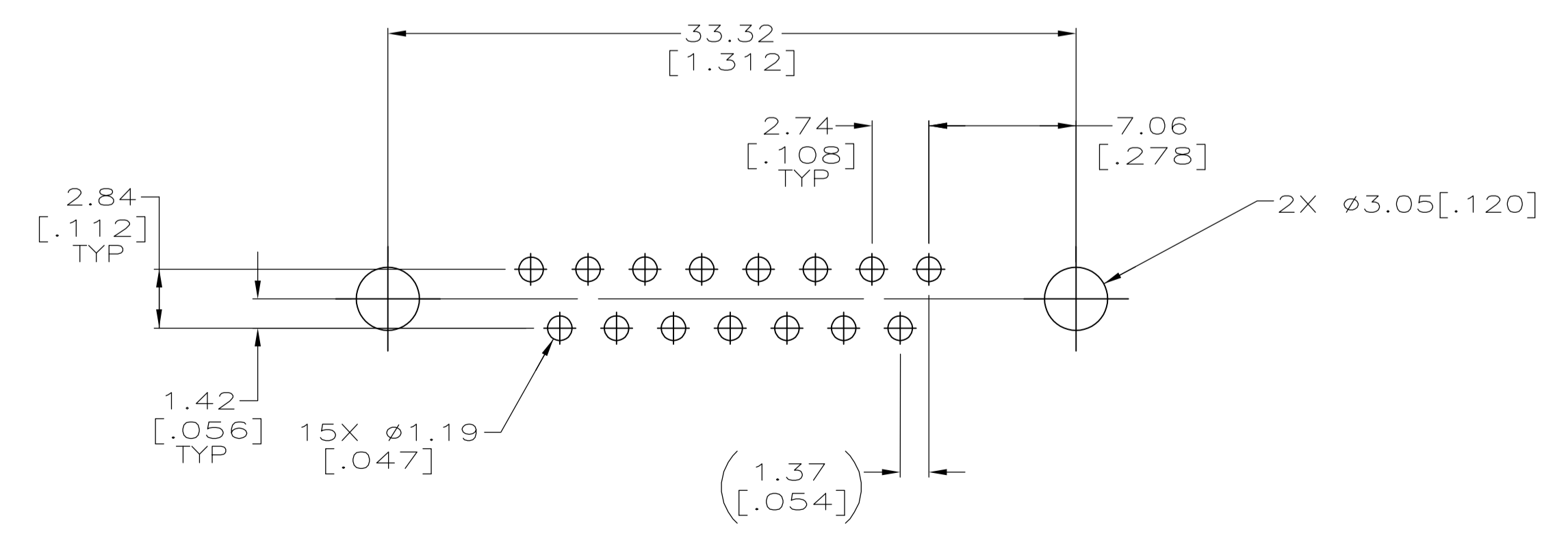
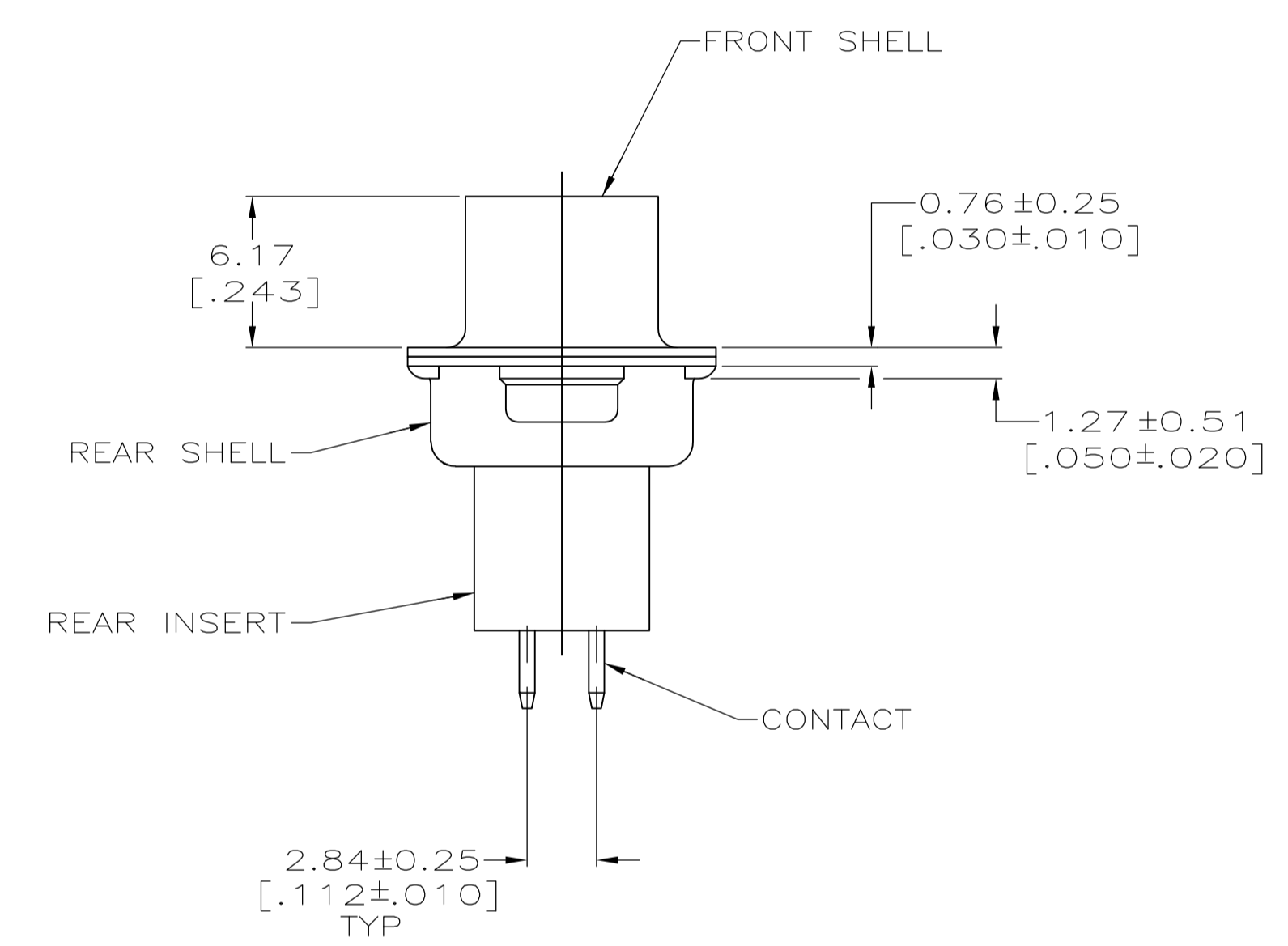
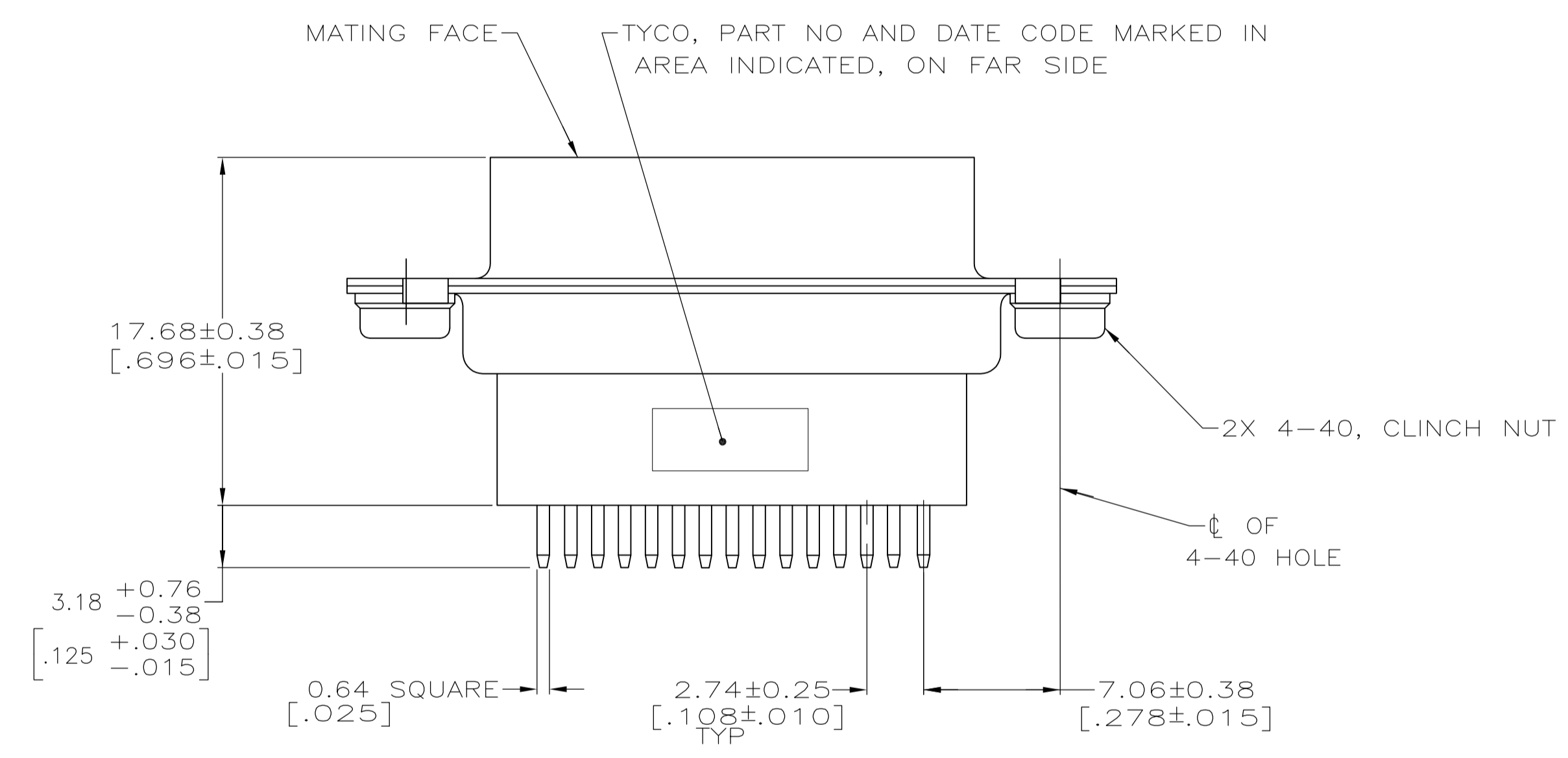
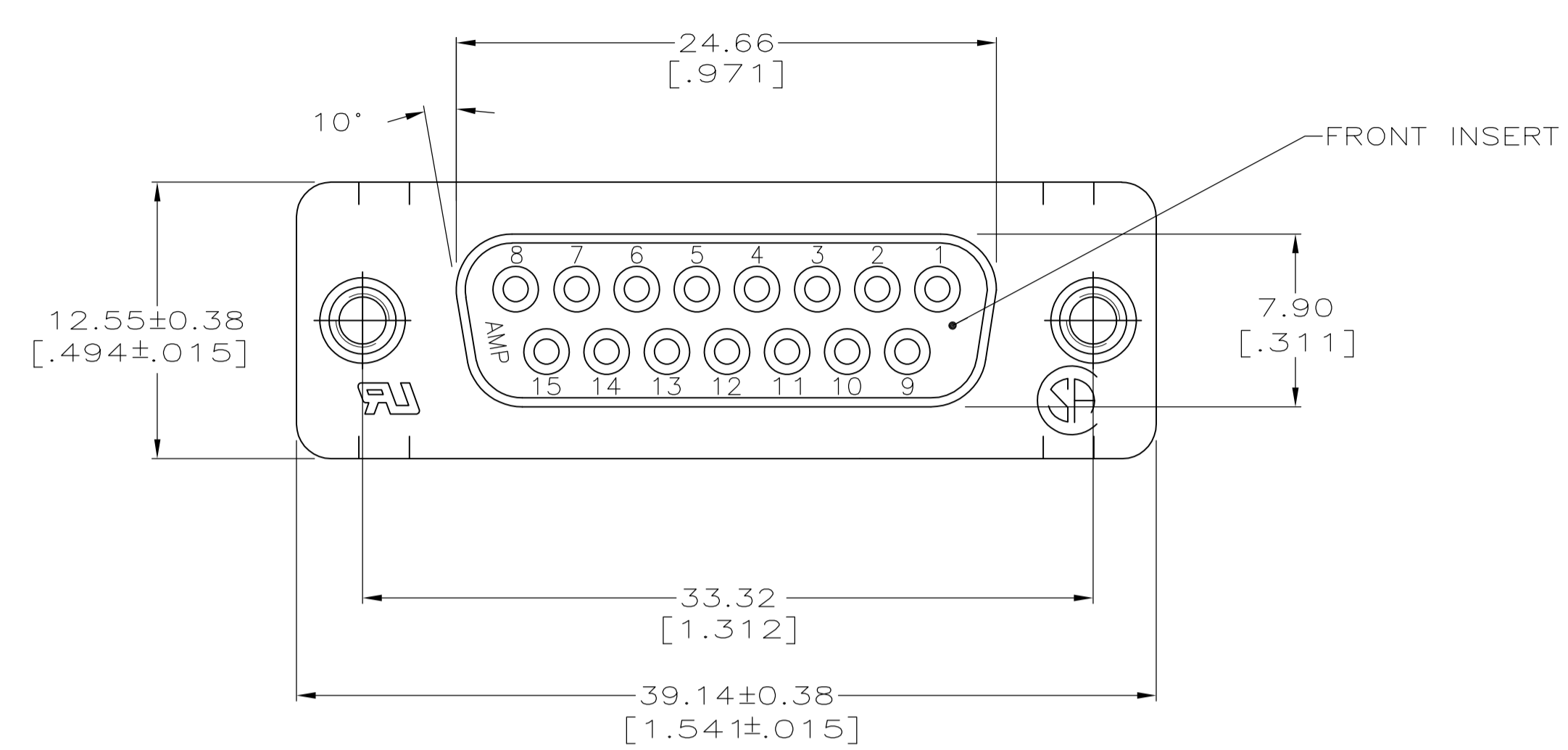


- 1 MOLDDED PARTS: GLASS-FILLED PBT OR GLASS-FILLED NYLON, UL94V-0 RATED. COLOR: BLACK.
CONTACTS: PHOSPHOR BRONZE.
SHELLS: CARBON STEEL.
CLINCH NUTS: CARBON STEEL.
- 2 SHELLS: 5.08 μm [0.000200] MIN TIN OVER 2.54 μm [0.000100] MIN COPPER.
CLINCH NUTS: .000200 MIN ZINC WITH CLEAR CHROMATE COATING.
CONTACTS: SEE TABLE.
- 3 GOLD FLASH FOR LENGTH OF 2.54 [0.100] MIN FROM MATING END, 2.54 μm [0.000100] MIN TIN ON OPPOSITE END, BOTH OVER 1.27 μm [0.000050] MIN NICKEL.
- 4 0.76 μm [0.000030] MIN GOLD FOR A LENGTH OF 2.54 [0.100] MIN FROM MATING END, 2.54 μm [0.000100] MIN TIN ON OPPOSITE END, BOTH OVER 1.27 μm [0.000050] MIN NICKEL.
-OR-
GOLD FLASH OVER PALLADIUM-NICKEL 0.76 μm [0.000030] MIN TOTAL FOR A LENGTH OF 2.54 [0.100] MIN FROM MATING END, 2.54 μm [0.000100] MIN TIN ON OPPOSITE END, BOTH OVER 1.27 μm [0.000050] MIN NICKEL.



RECOMMENDED PC BOARD MOUNTING DIMENSIONS

3	5745820-2
4	5745820-1
CONTACT FINISH	PART NO

THIS DRAWING IS A CONTROLLED DOCUMENT.		DIN B. LATTUCA 19SEPT05	 TE Connectivity
DIMENSIONS: mm [INCHES]		CHK S. BOLASH 19SEPT05	
TOLERANCES UNLESS OTHERWISE SPECIFIED:		APP'D M. WALMSLEY 19SEPT05	NAME
0 PLC ± -	1 PLC ± -	PRODUCT SPEC	RECEPTACLE ASSEMBLY, SIZE 2, 15 POSN, VERTICAL, FRONT METAL SHELL, AMPLIMITE HD-20
2 PLC ± 0.13 [0.005]	3 PLC ± -	APPLICATION SPEC	108-40025
4 PLC ± -	ANGLES ± -	114-40013	SIZE
MATERIAL 1	FINISH 2	WEIGHT -	SCALE
CUSTOMER DRAWING		00779	5745820
SCALE NTS		SHEET 1 OF 1	REV D

Mouser Electronics

Authorized Distributor

Click to View Pricing, Inventory, Delivery & Lifecycle Information:

[TE Connectivity:](#)

[5745820-1](#)