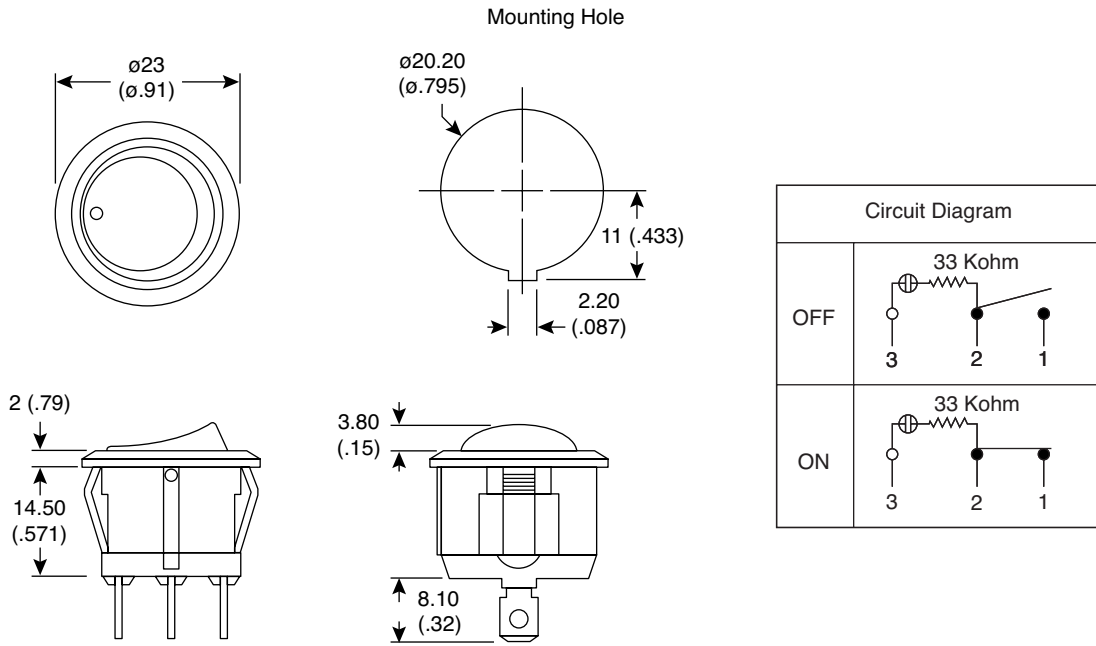


Dimensions: mm (in.)



Mouser Stock No.	Color
103-R13-112B2-02R-EV	Red
103-R13-112B2-02Y-EV	Yellow
103-R13-112B2-02G-EV	Green

**Electrical Specifications:**

- Rating: 16A/125VAC, 10A/250VAC
- Contact resistance: 50mΩ max.
- Insulation resistance: 500VDC 100MΩ min.
- Dielectric strength: 1500VAC 1 minute

**Note:**

- RoHS Compliant

**Illuminated Rocker Switches**  
 103-R13-112B2-02R-EV, 103-R13-112B2-02G-EV,  
 103-R13-112B2-02Y-EV



# Mouser Electronics

Authorized Distributor

Click to View Pricing, Inventory, Delivery & Lifecycle Information:

[Mountain Switch:](#)

[103-R13-112B2-02R-EV](#) [103-R13-112B2-02G-EV](#) [103-R13-112B2-02Y-EV](#)