

4

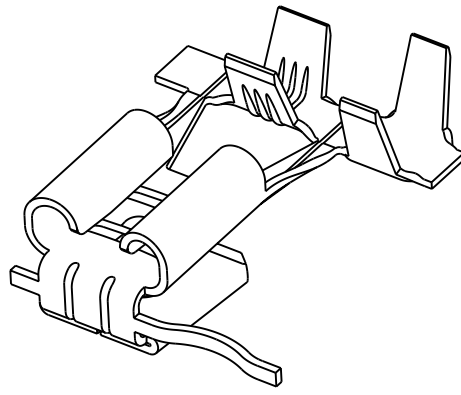
3

2

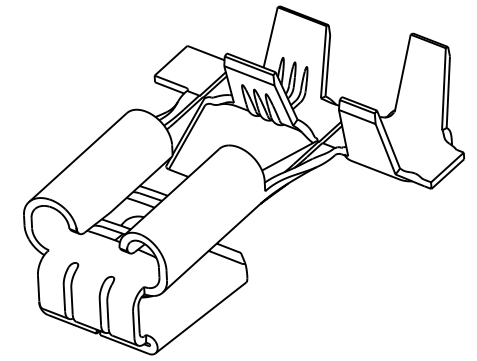
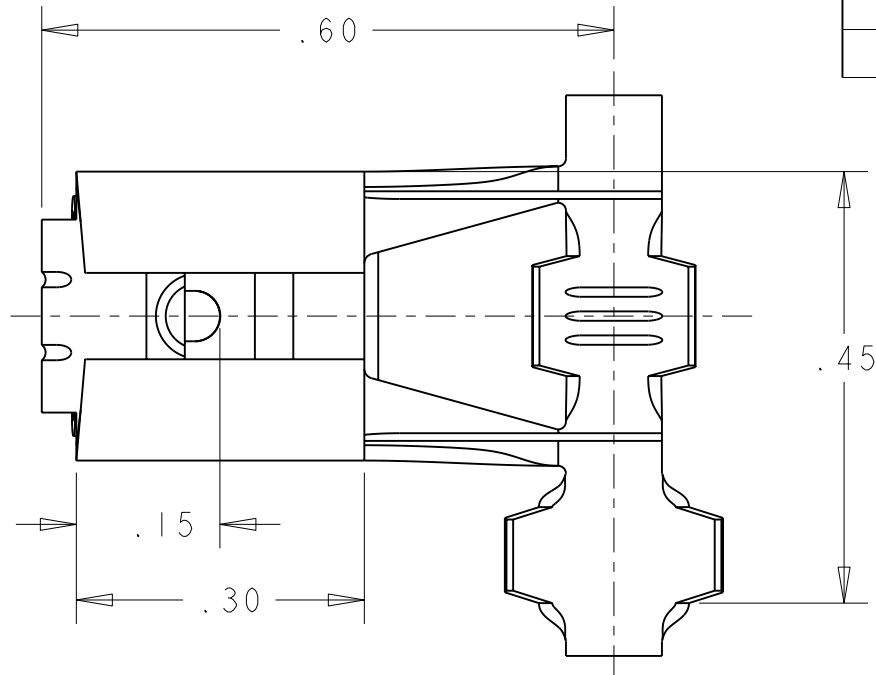
1

THIS DRAWING IS UNPUBLISHED. RELEASED FOR PUBLICATION 20
 © COPYRIGHT 20 ALL RIGHTS RESERVED.

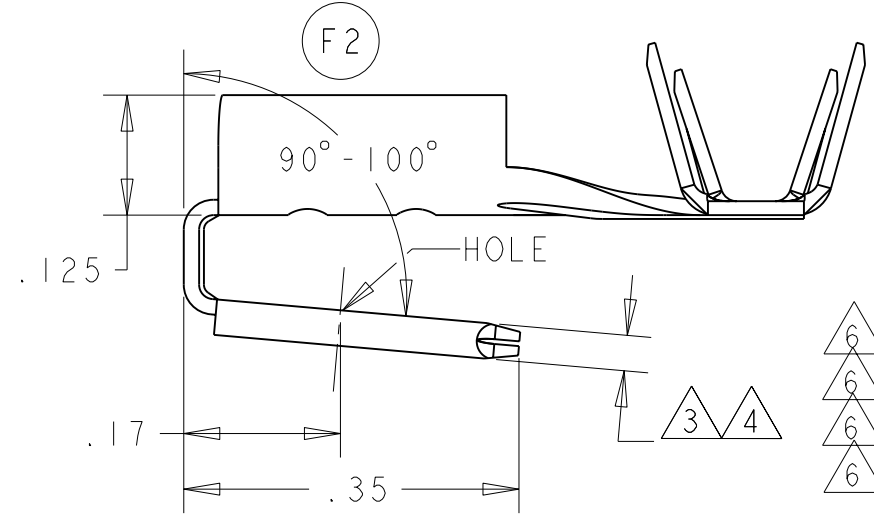
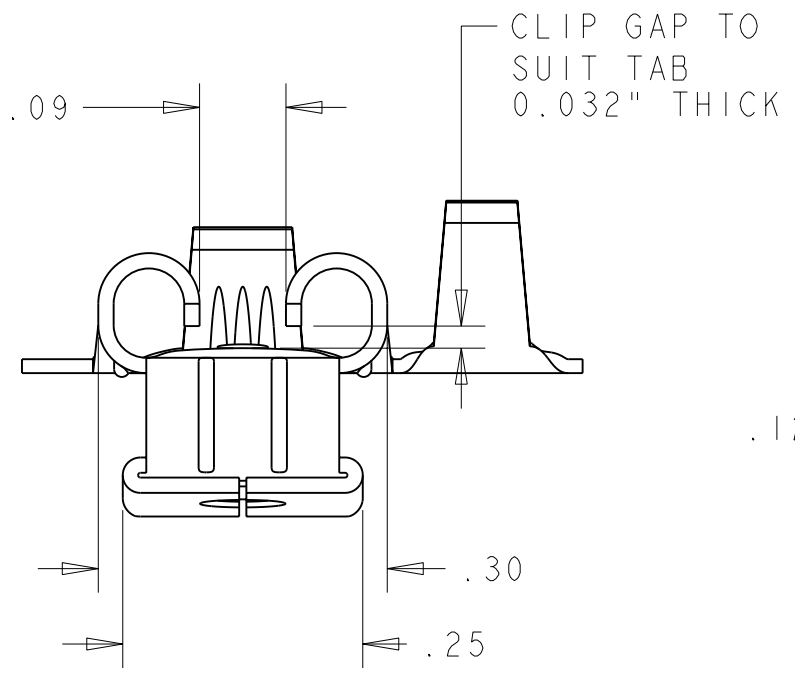
LOC	DIST	REVISIONS					
		P	LTR	DESCRIPTION	DATE	DWN	APVD
IR	B		F	ECR-06-000712	11/01/06	MJG	JA
			F1	ECR-10-022530	02FEB11	KK	HMR
			F2	TAB BENT ANGLE DIM. ADDED	27JUL2011	PKS	RRP



1 PRODUCT MANUFACTURED WITH REAR CARRIER STRIP



2 PRODUCT MANUFACTURED WITHOUT REAR CARRIER STRIP



6	4	2	ELECTRO-TIN	151321-8
6	4	2	UNPLATED	151321-7
6	4	1	ELECTRO-TIN	151321-6
6	4	1	UNPLATED	151321-5
	3	2	ELECTRO-TIN	151321-4
	3	2	UNPLATED	151321-3
	3	1	ELECTRO-TIN	151321-2
	3	1	UNPLATED	151321-1
	TAB	CARRIER	FINISH	PART NO

NOTES:

- 1 PRODUCT MANUFACTURED WITH REAR CARRIER STRIP
- 2 PRODUCT MANUFACTURED WITHOUT REAR CARRIER STRIP
- 3 STANDARD TAB
- 4 LOW INSERTION TAB
- 5. TERMINAL DESIGNED FOR WIRE RANGE 18-14 AWG WITH INSULATION RANGE 0.120" TO 0.0170"
- 6 OBSOLETE

THIS DRAWING IS A CONTROLLED DOCUMENT.		DWN A. J. BEKEN 13/09/00	TE Connectivity	
DIMENSIONS: INCHES		CHK R. GOODALL 13/09/00		
TOLERANCES UNLESS OTHERWISE SPECIFIED:		APVD F. W-K 13/09/00	NAME FLAG FASTON, PIGGY BACK .250 SERIES	
0 PLC ±.02 1 PLC ±.02 2 PLC ±.02 3 PLC ±.02 4 PLC ±.02 ANGLES ±1		PRODUCT SPEC -	SIZE A3 CAGE CODE 00779 DRAWING NO C-151321 RESTRICTED TO -	
MATERIAL BRASS		APPLICATION SPEC -	SCALE 5:1 SHEET 1 OF 1 REV F2	
FINISH SEE TABLE		WEIGHT -	CUSTOMER DRAWING	

Mouser Electronics

Authorized Distributor

Click to View Pricing, Inventory, Delivery & Lifecycle Information:

[TE Connectivity:](#)

[151321-4](#) [151321-4 \(Cut Strip\)](#) [151321-4 \(Mouser Reel\)](#)