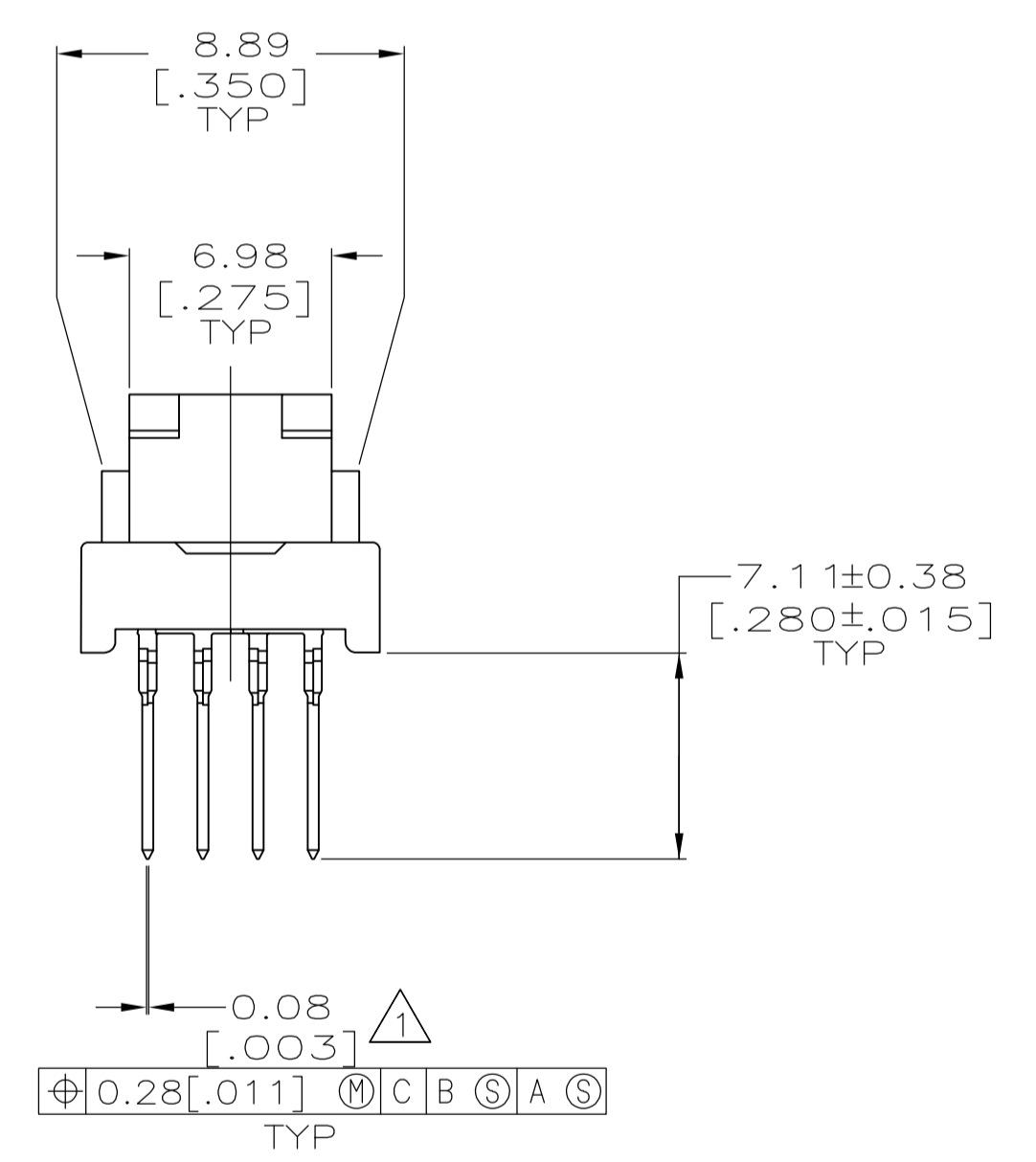
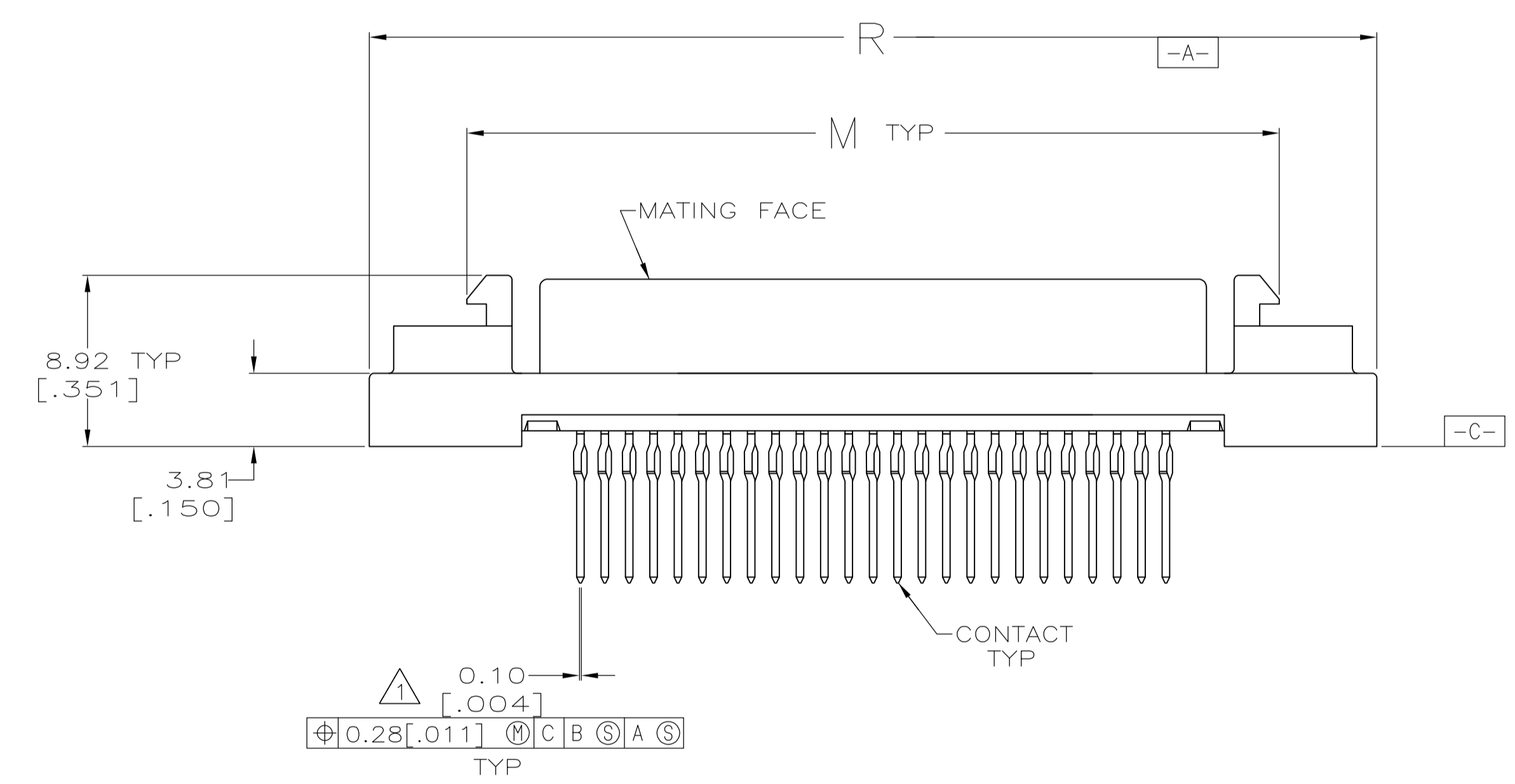
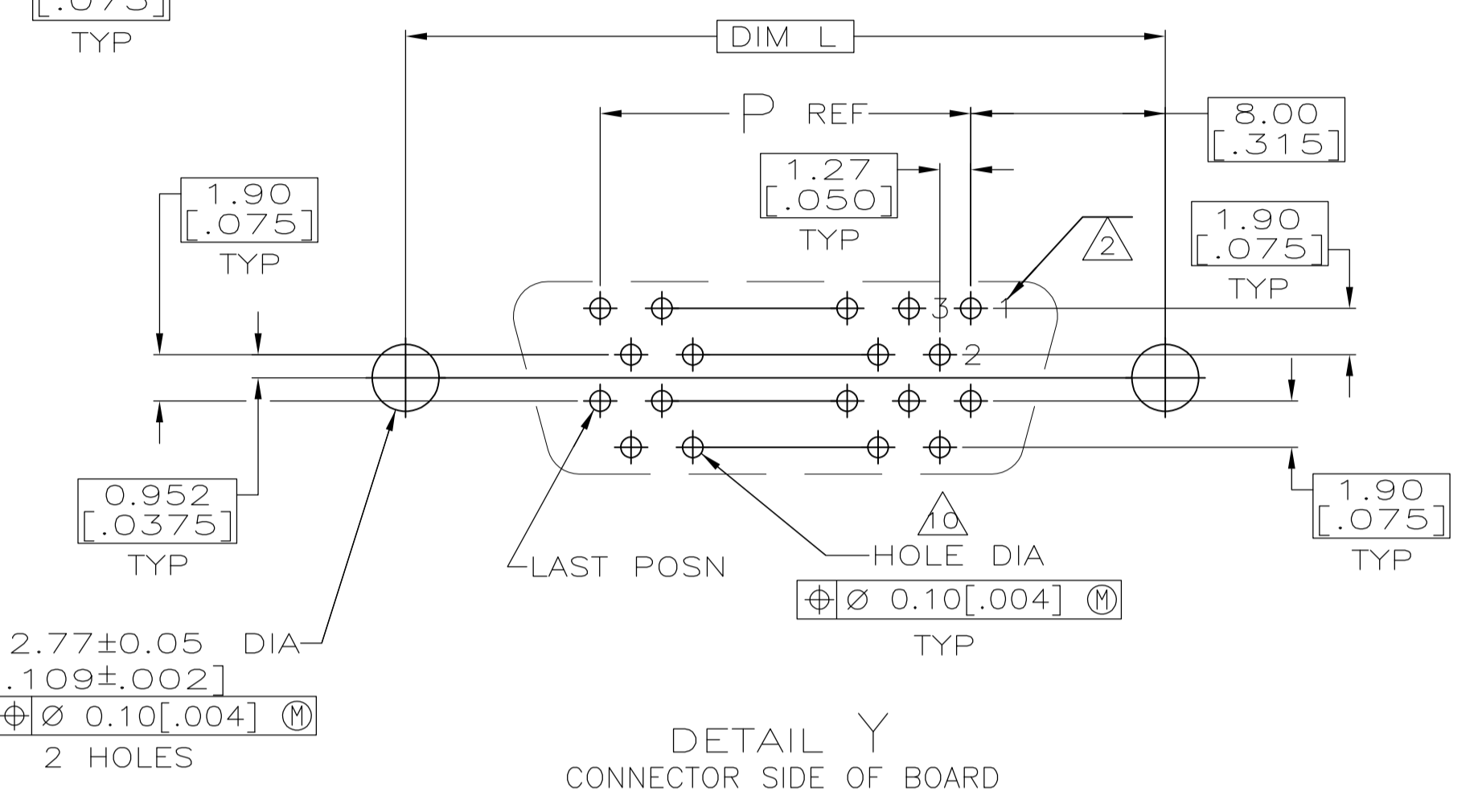
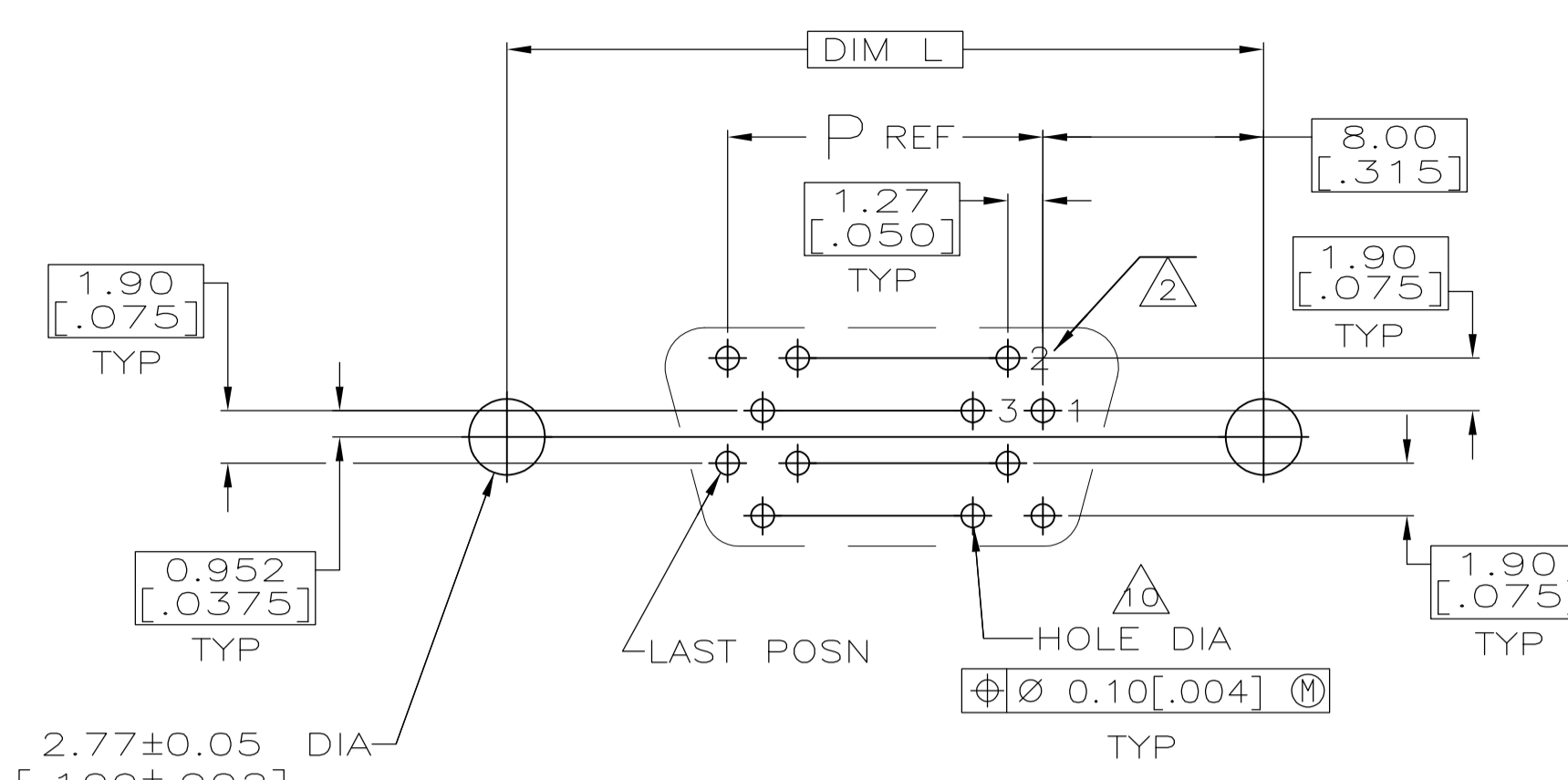
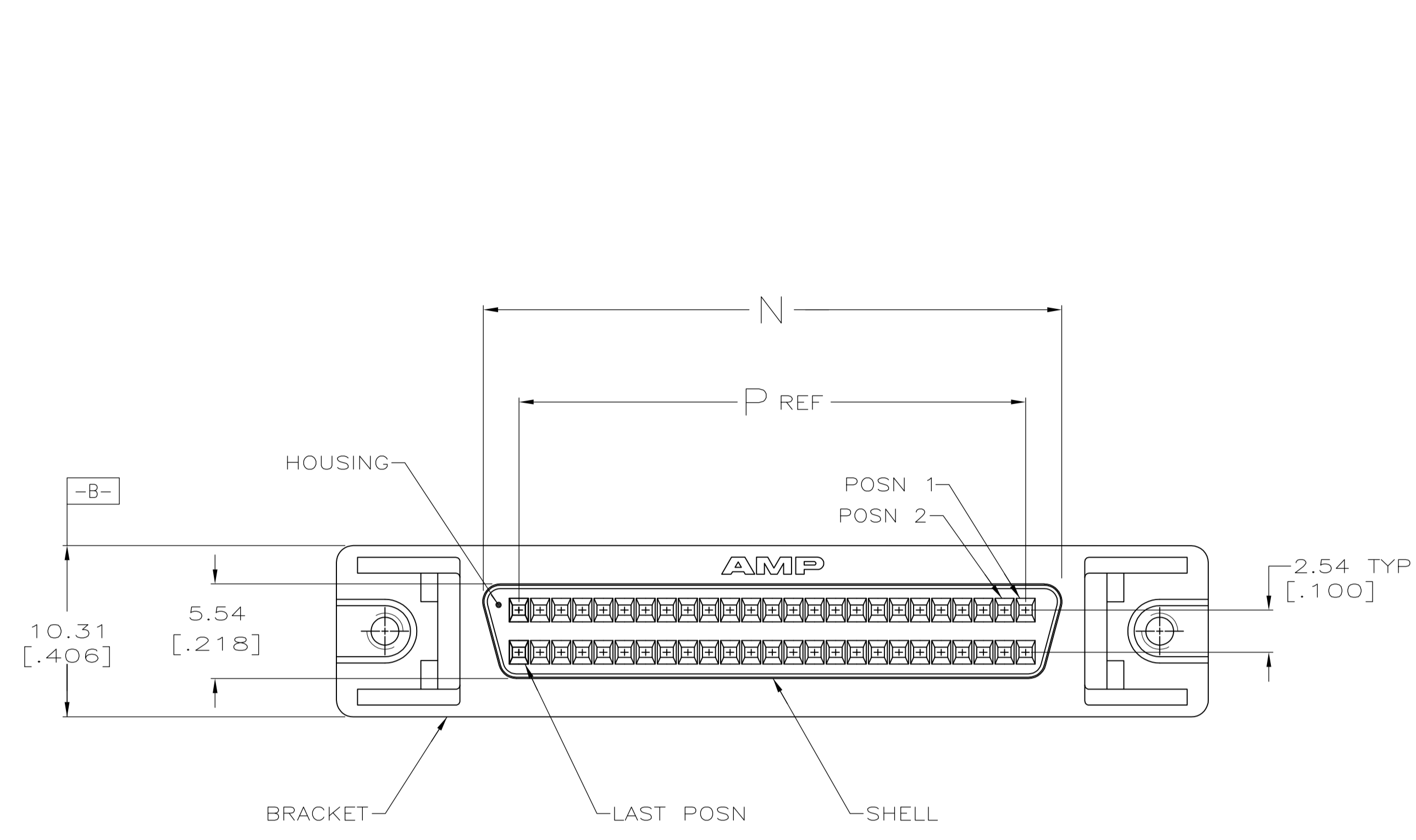
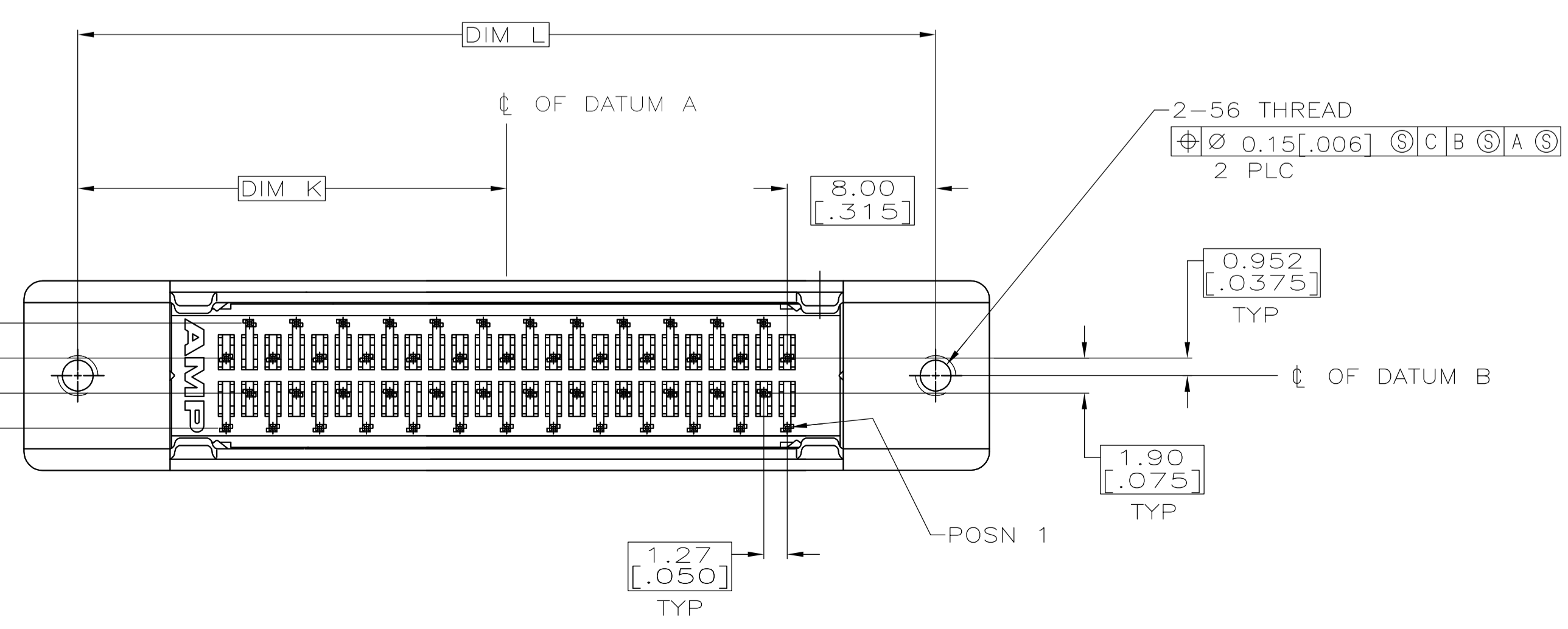


LOC	DIST	REVISIONS				
GP	00	REV	DESCRIPTION	DATE	BY	APPV
G1		REVISED PER ECO-05-009847		10SEP06	BM	SS
G2		REVISED PER ECO-10-000443		18JAN10	KK	AEG



- △ POSITION TOLERANCE APPLIES AT CONTACT TIP.
- △ POSITION NUMBERS SHOWN FOR REFERENCE ONLY.
- △ POLYPHTHALAMIDE, BLACK, UL 94-V0 RATED.
- △ CARBON STEEL PER ASTM A109.
- △ PHOSPHOR BRONZE PER QQ-B-750.
- △ ZINC
- △ 5.08µm[.000200] MIN NICKEL OVER 1.27µm[.000050] MIN COPPER.
- △ 3.81µm[.000150] MIN NICKEL OVER 5.08µm[.000200] MIN COPPER.
- △ 0.76µm[.000030] MIN GOLD FOR A LENGTH OF 0.64[.025]MIN, 0.13[.005] MAX FROM MATING END, 1.27µm[.000050] MIN TIN-LEAD ON OPPOSITE END FOR A LENGTH OF 7.49[.295] MIN, BOTH OVER 1.27µm[.000050] MIN NICKEL.
- △ 10 PC BOARD HOLE RECOMMENDATIONS:
 A. HOLES SHOULD BE DRILLED WITH A 0.701[.0276] DRILL.
 B. PC BOARD PLATING TO BE 7.62µm[.000300] MIN TIN-LEAD OVER 0.025[.0010]-0.038[.0015] COPPER.
 C. RECOMMENDED HOLE SIZE AFTER TIN-LEAD PLATING IS 0.56-0.66[.022-.026].
- △ 11 OBSOLETE PART NUMBER.
- △ 12 OBSOLETE PARTS: OBSOLETE CIS STREAMLINING PER D.RENAUD/D.SINISI



REV	DESCRIPTION	R	P	N	M	L	K	NO OF POSN	PART NUMBER	
12	OBSOLETE	PER DETAIL X	96.90 [3.815]	74.93 [2.950]	79.15 [3.116]	86.74 [3.415]	90.93 [3.580]	45.47 [1.790]	120	1-786556-0
		PER DETAIL X	84.20 [3.315]	62.23 [2.450]	66.45 [2.616]	74.04 [2.915]	78.23 [3.080]	39.12 [1.540]	100	△ 786556-9
		PER DETAIL X	63.88 [2.515]	41.91 [1.650]	46.13 [1.816]	53.72 [2.115]	57.91 [2.280]	28.96 [1.140]	68	△ 786556-7
		PER DETAIL Y	52.45 [2.065]	30.48 [1.200]	34.70 [1.366]	42.29 [1.665]	46.48 [1.830]	23.24 [0.915]	50	786556-5
		PER DETAIL Y	37.21 [1.465]	15.24 [0.600]	19.46 [0.766]	27.05 [1.065]	31.24 [1.230]	15.62 [0.615]	26	△ 786556-2
		PER DETAIL X	33.40 [1.315]	11.43 [0.450]	15.65 [0.616]	23.24 [0.915]	27.43 [1.080]	13.72 [0.540]	20	△ 786556-1
		RECOMMENDED PCB MTG DIMENSIONS								

THIS DRAWING IS A CONTROLLED DOCUMENT.

DIMENSIONS: INCHES	TOLERANCES UNLESS OTHERWISE SPECIFIED:	DIN H MOLL 10-7-92	Tyco Electronics Corporation Harrisburg, PA 17105-3608
0 PLC ± -	1 PLC ± -	10-13-92	
2 PLC ± ± 0.13 [0.005]	3 PLC ± ± -		RECEPTACLE ASSEMBLY, SHIELDED, VERTICAL, RAILED, ACTION PIN FOR .125 TO .200 THICK BD.
4 PLC ± ± -	ANGLES ± ± -		PRODUCT SPEC 108-1228
MATERIAL	FINISH	SIZE	APPLICATION SPEC 114-40029
3 4 5 6	7 8 9	WEIGHT	114-40029
CUSTOMER DRAWING		SCALE	RESTRICTED TO
		4:1	00779 786556
		SHEET 1 OF 1	REV G2

Mouser Electronics

Authorized Distributor

Click to View Pricing, Inventory, Delivery & Lifecycle Information:

[TE Connectivity:](#)

[786556-5](#)