

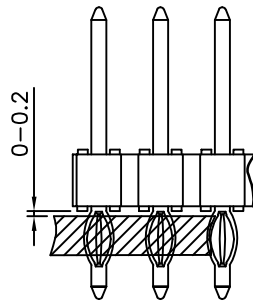
PRODUCT NUMBER
93690-YXX-XXLF

PLATING, SEE TABLE

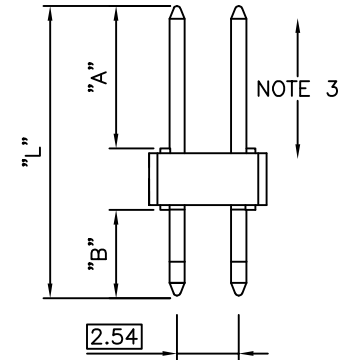
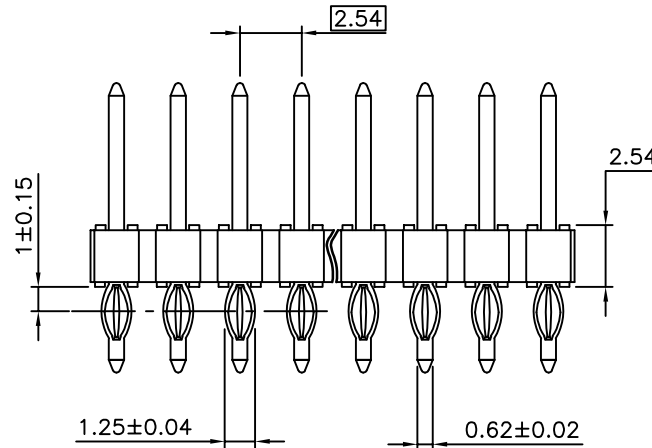
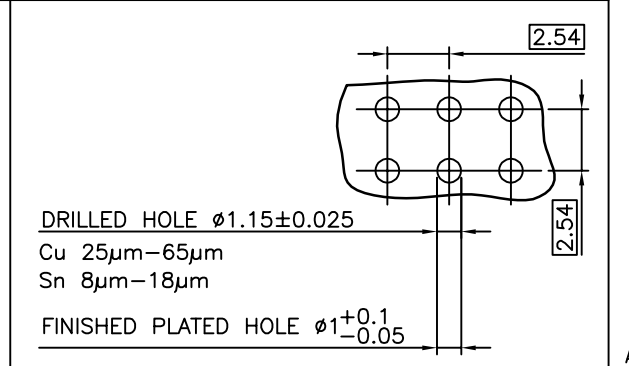
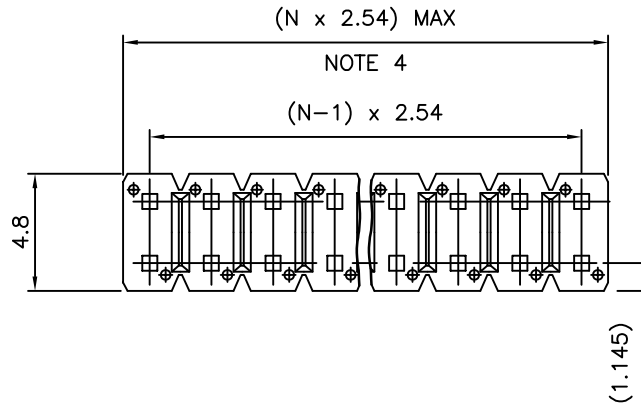
LEAD FREE
SEE NOTE 6 & 7

TOTAL NB OF POS
04 TO 72

PIN STYLE	DIM "A" REF	DIM "B" ±0.3	DIM "L" ±0.15
01	7.50	4.50	14.78
02	10.14	4.50	17.40
03	5.80	4.50	12.83
04	14.80	4.75	22.15
05	8.30	4.50	15.44
06	6.80	3.60	12.90
07	6.70	3.40	12.62
08	5.20	3.40	11.10
09	8.30	3.60	14.40
10	9.20	3.35	15.09
11	4.00	3.40	9.94



RECOMMENDED POSITION ON THE PCB



NOTES:

- HOUSING MAT'L : HIGH TEMPERATURE THERMOPLASTIC. UL94V-0 COLOR: BLACK
- PIN MATERIAL : COPPER ALLOY
- 9N MIN RETENTION IN EITHER DIRECTION
- TO DETERMINE DIMENSIONS :
N = NUMBER OF POSITIONS PER ROW
EXAMPLE : 8 POS PER ROW, N x 2.54 = 20.32mm
- PACKAGING POLYBAGS OR BLIBOX
- LEAD FREE CONNECTOR
- "LF" MEANS THAT THE PRODUCT IS RoHS COMPLIANT THEN MEETS EUROPEAN UNION DIRECTIVES AND OTHER COUNTRY REGULATION AS DESCRIBED IN GS-47-0004

93690-7XX-XXLF	GOLD FLASH OVER 1.27 μ m Ni MIN	1.0 μ m TIN OVER 1.27 μ m Ni MIN
93690-5XX-XXLF ONLY AVAILABLE UPON REQUEST	0.25 μ m GOLD/GXT OVER 1.27 μ m Ni MIN	1.0 μ m TIN OVER 1.27 μ m Ni MIN
93690-4XX-XXLF	3.05 μ m TIN OVER 1.27 μ m Ni MIN	
93690-1XX-XXLF	0.76 μ m GOLD/GXT OVER 1.27 μ m Ni MIN	1.0 μ m TIN OVER 1.27 μ m Ni MIN
PLATING	CONTACT AREA	PRESS FIT TAIL AREA

mat'l. code		surface		tolerance		projection	product family		
SEE NOTE		ISO 1302	ISO 406	ISO 1101	ISO 406 ISO 1101		BERGSTIK		
ltr	ecn no	dr	date	tolerances unless otherwise specified		mm	title		
R	B-18988	LMU	14.10.06	angles	linear		HDR PRESS FIT		
S	F-22590	AMA	15.11.23				DOUBLE ROW		
T	F-47108	DDE	23.01.25				dwg no		
		dr	MULIN.L	99.06.30		FCJ	sheet 1 of 1		
		enrg	COMPAGNON J	99.06.30			size		
N	B16804	JCO	14.01.21	chr	NIZZI.P		93690 A3		
P	B-17404	JCO	14.04.07	appd	JM.C	96.05.06			
sheet	revision					type		CUSTOMER Drawing	
index	sheet								