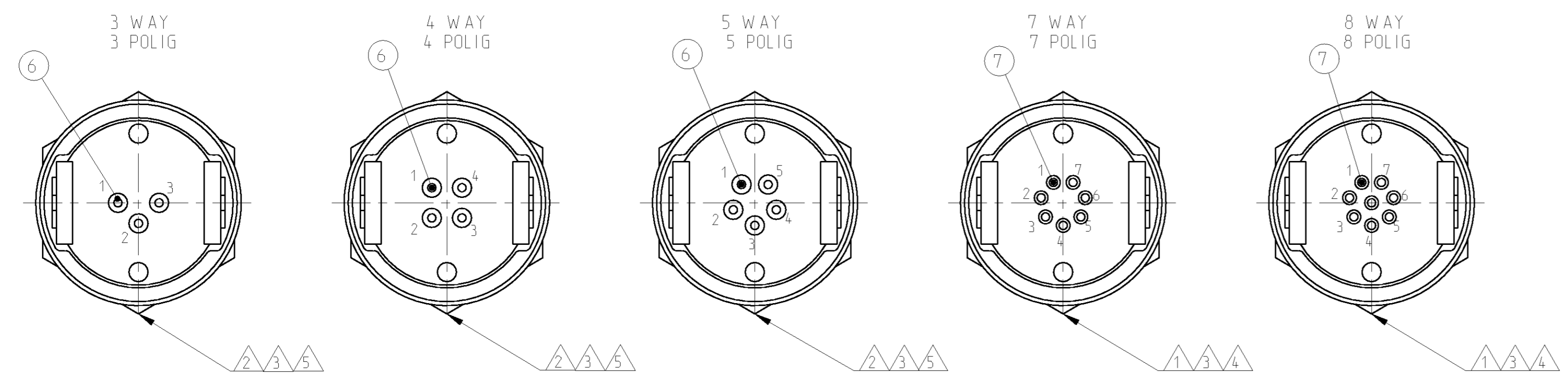
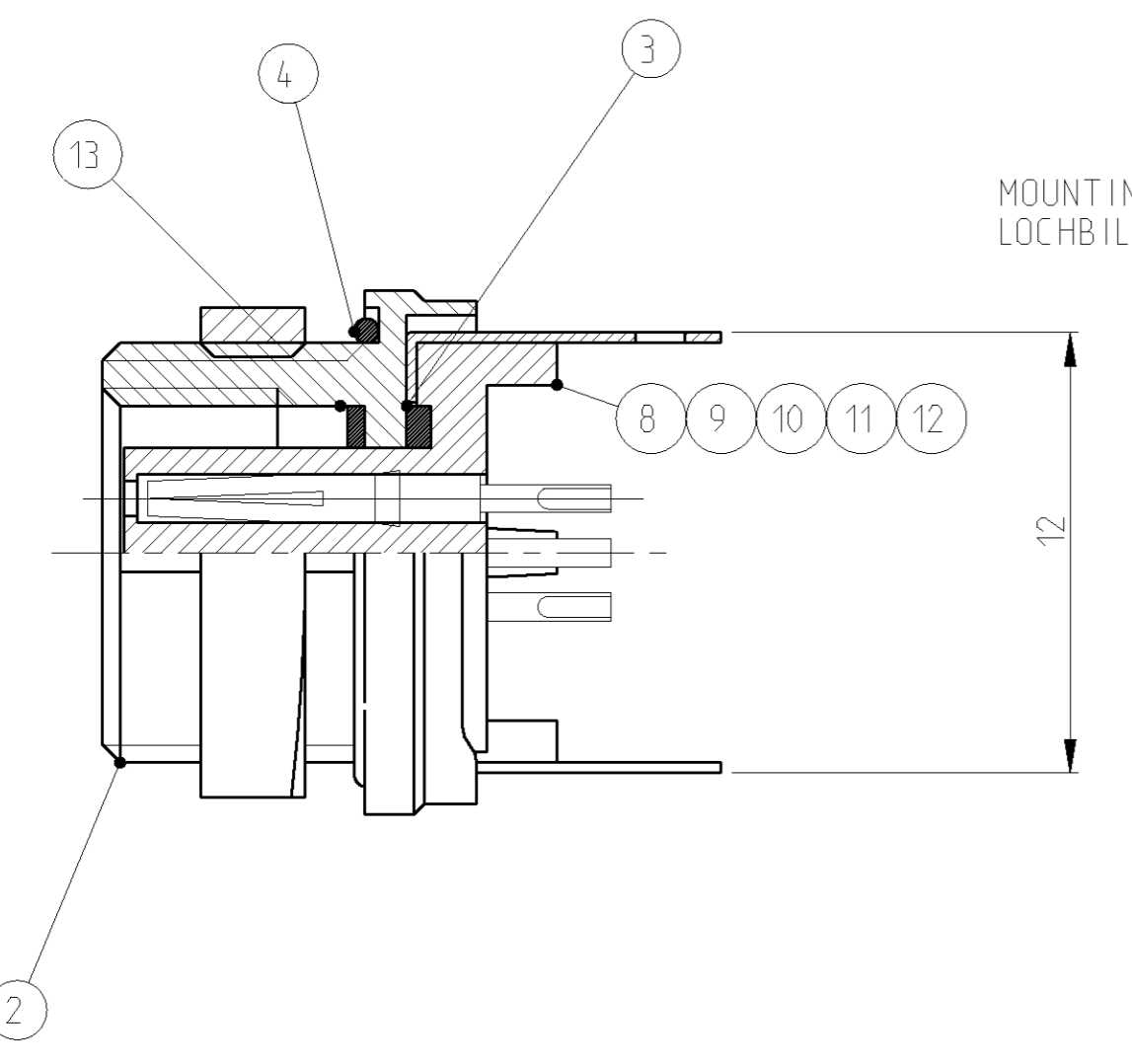
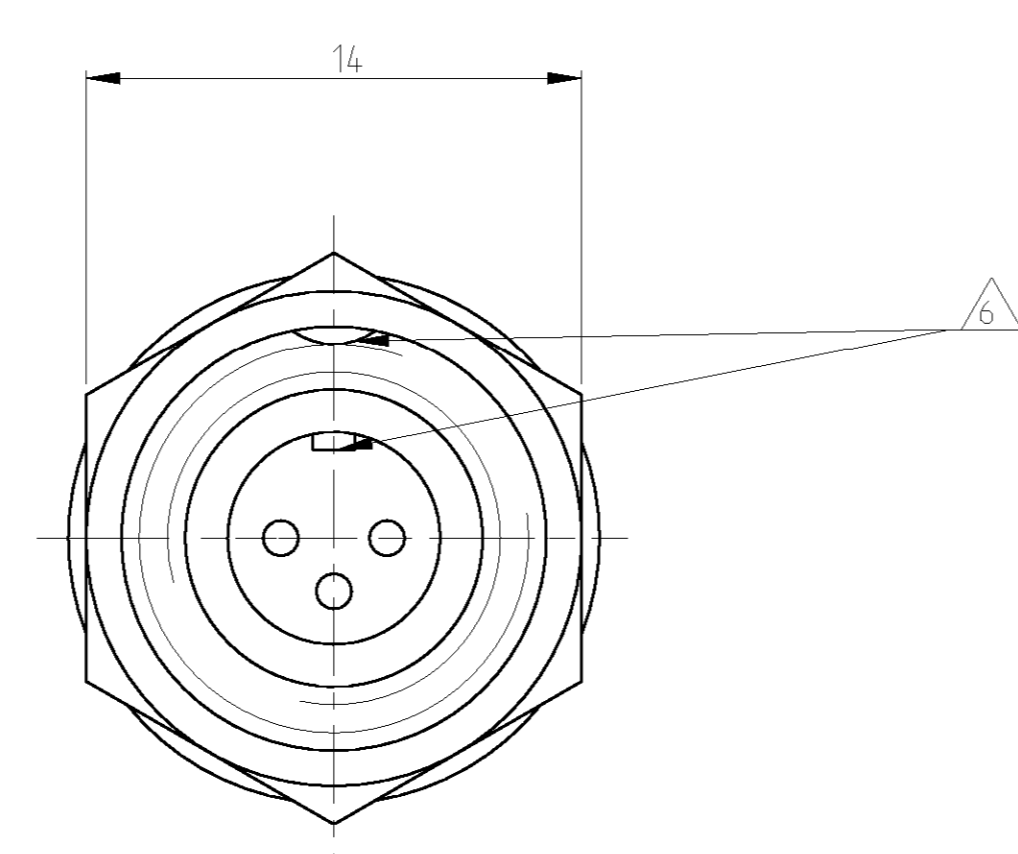
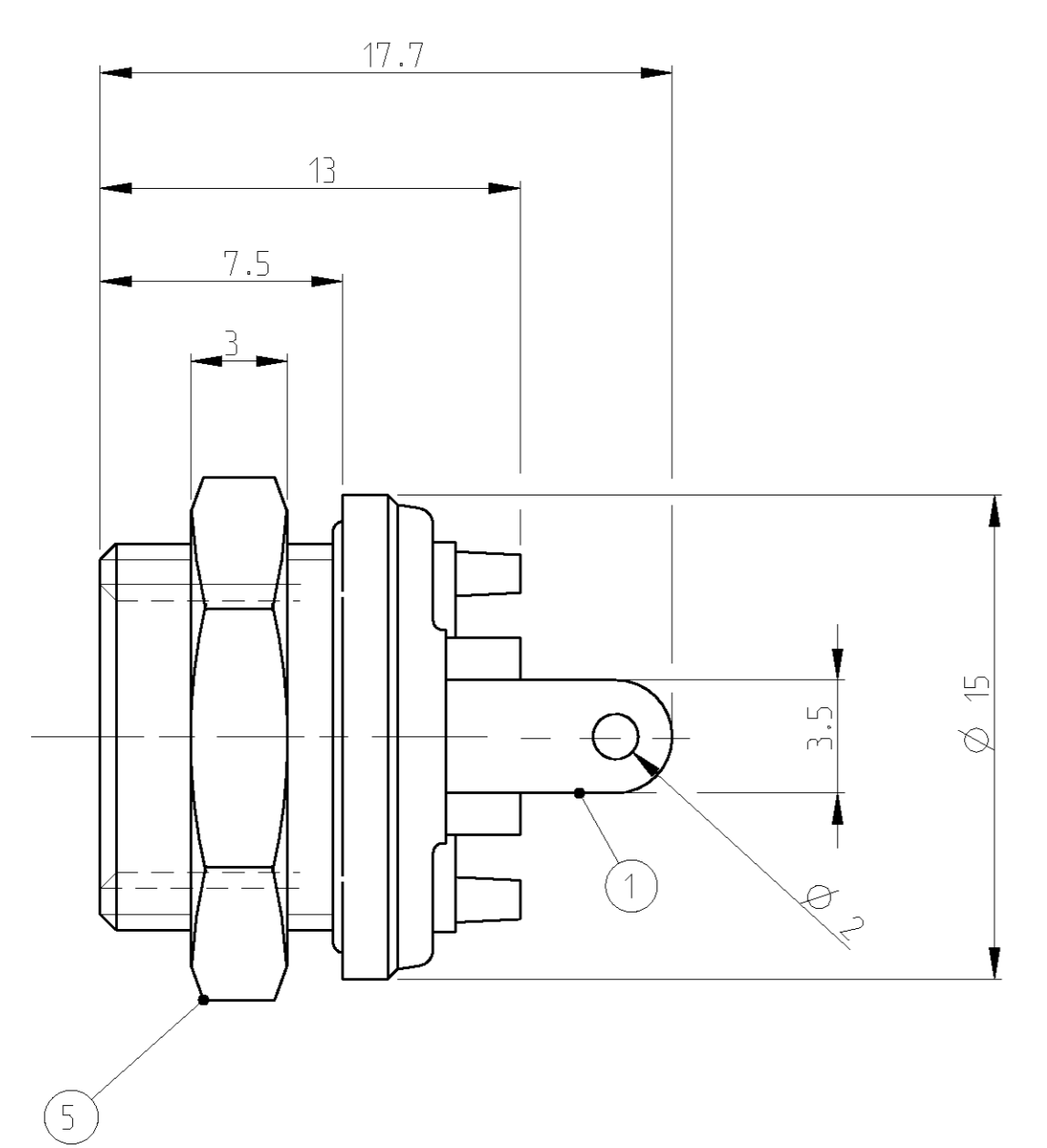


LOC	DIST	REV	DATE	BY	APPV
A1	-	1	19 JUN 2001	NG	GF

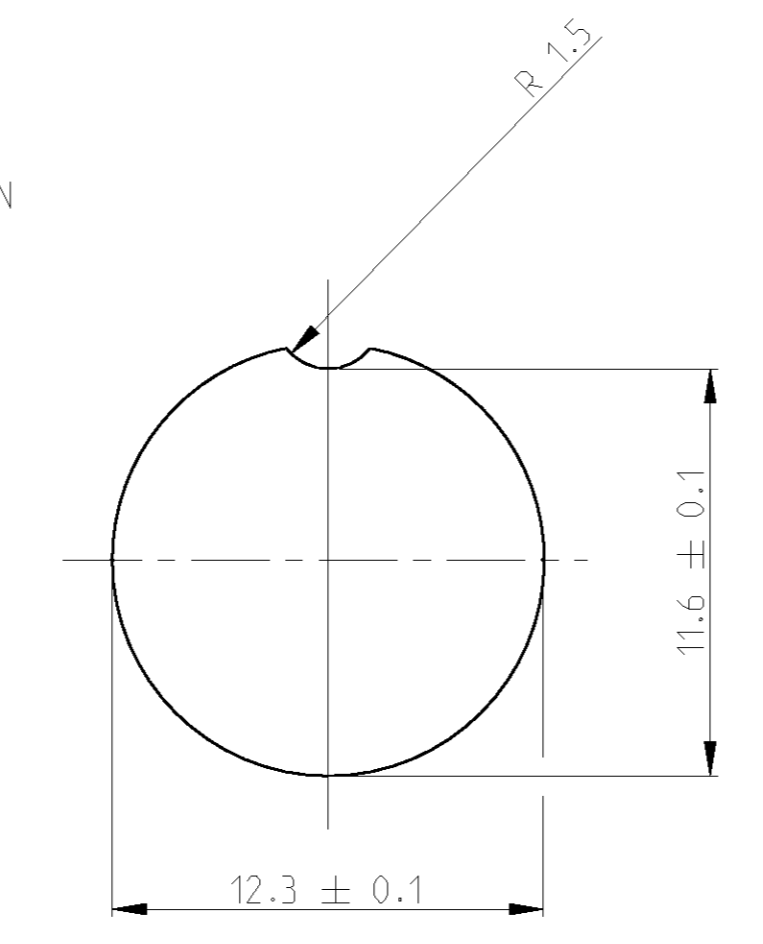


REVISIONS	DESCRIPTION	DATE	BY	APPV
1	REVISION OF EACH ASSY NO. (WHEN BLANK, USE DWG REV.)			

MATERIAL / MATERIAL: PBT, UL-94 V2	△
SHELL MATERIAL / GEHAUSEMATERIAL: CUZN	
FINISH / BESCHICHTUNG: TRIBOR 4 µm	
CODING / KODIERUNG	△
WIRE GAGE / DRAHTGROESSE IN mm ² : 0.25	△
WIRE GAGE / DRAHTGROESSE IN mm ² : 0.14	△
CONTACT RESISTANCE / KONTAKTWIDERSTAND: => 5 mΩ	△
RATED CURRENT PER CONTACT / NENNSTROM PRO KONTAKT: 3 A	△
RATED CURRENT PER CONTACT / NENNSTROM PRO KONTAKT: 1 A	△
SHELL PROTECTION CLASS / SCHUTZKLASSE: IP 65 / DIN 40050	
TERMINATION: SOLDERING / VERBINDUNG: LOETKONTAKTE	
TEST VOLTAGE / PRUEFSPANNUNG: 500 VAC	
OPERATING VOLTAGE / BETRIEBSSPANNUNG: 60 VAC	
OPERATING TEMPERATURE: -40°C TO +80°C / ARBEITSTEMPERATUR: -40°C BIS +80°C	
MATING CYCLES / STECKZYKLEN: 500 MAX.	
TECHNICAL DATA TECHNISCHE DATEN	



MOUNTING HOLE DIMENSION
LOCHBILD FUER MONTAGE



CATALOG-NO.	QTY REQD PER ASSY	DESCRIPTION / BESCHREIBUNG	ITEM-NO. TEIL-NR.
0-1437720-9	1	SEAL / DICHTUNG	13
0-1437720-6	1	INSULATION TUBE 8 POS. / ISOLIERHUELSE 8 POL.	12
0-1437720-3	1	INSULATION TUBE 7 POS. / ISOLIERHUELSE 7 POL.	11
9-1437719-9	1	INSULATION TUBE 5 POS. / ISOLIERHUELSE 5 POL.	10
9-1437719-6	1	INSULATION TUBE 4 POS. / ISOLIERHUELSE 4 POL.	9
	1	INSULATION TUBE 3 POS. / ISOLIERHUELSE 3 POL.	8
8	7	SOCKET APPLIED BY PRESSURE / BUCHSENKONTAKT EINGEPRESST	7
	5	SOCKET APPLIED BY PRESSURE / BUCHSENKONTAKT EINGEPRESST	6
1	1	NUT / MUTTER	5
1	1	SEAL / DICHTUNG	4
1	1	SEAL / DICHTUNG	3
1	1	HOUSING / GEHAUSE	2
1	1	GROUND ON PCB SPRING / VERBINDUNGSFEDER ZUR PCB MASSE	1
REVISION OF EACH ASSY NO. (WHEN BLANK, USE DWG REV.)			
QTY REQD PER ASSY		DESCRIPTION / BESCHREIBUNG	ITEM-NO. TEIL-NR.
T01-0580-S08			
T01-0580-S07			
T01-0580-S05			
T01-0580-S04			
T01-0580-S03			
PARTS LIST / TEILE LISTE			

AS SHOWN
9-1437719-6 WIE GEZEICHNET

DIMENSIONS: MASSENMENGEN (mm)	TOLERANCES, UNLESS OTHERWISE SPECIFIED: ALLE DIMENSIONEN	DWN: H. SCHERER DATE: 19 JUN 2001	tyco Electronics AMP GmbH D - 64625 Bensheim
MATERIAL:	FINISH/BESCHICHTUNG/FARBE:	PRODUCT SPEC: APPLICATION SPEC: VERARBEITUNGSSPEZ.:	NAME: T01 FEMALE PLUS CONN. PANEL MNT. SOLDER VER., 3-8 POS., 180 DGR. T01 BUCHSENSTECKER, EINH. AUJ. LOETVERSION 3-8 POL. 180 GRAD
WEIGHT: BEWICHT:	CUSTOMER DRAWING:	SCALE: MASSSTAB:	SHEET: BLATT: 1 OF 1

Mouser Electronics

Authorized Distributor

Click to View Pricing, Inventory, Delivery & Lifecycle Information:

[TE Connectivity:](#)

[9-1437719-6](#)