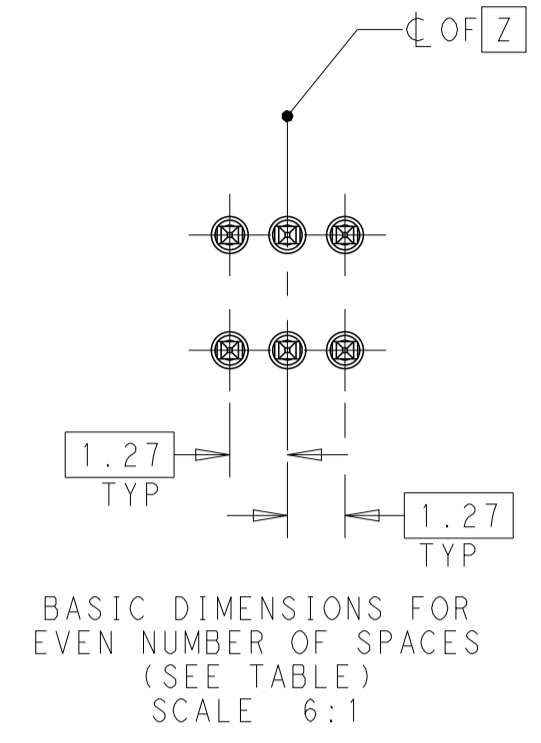
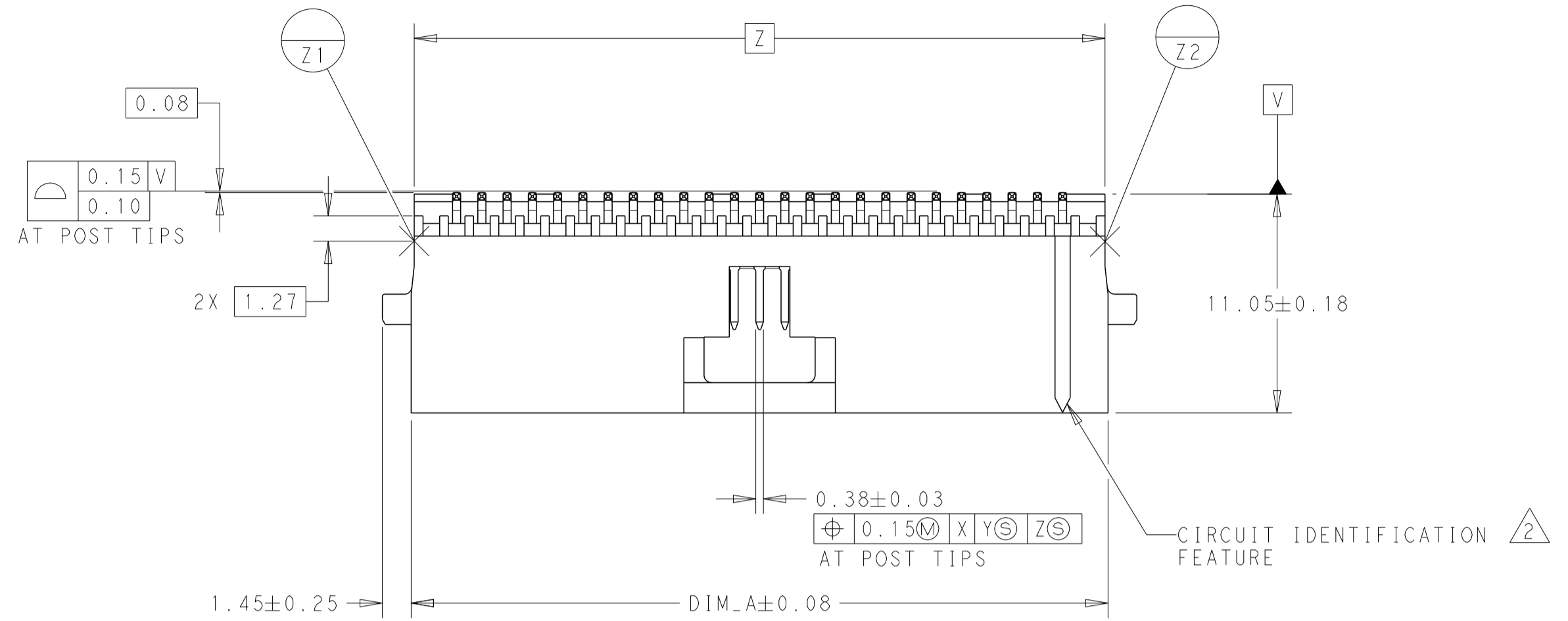
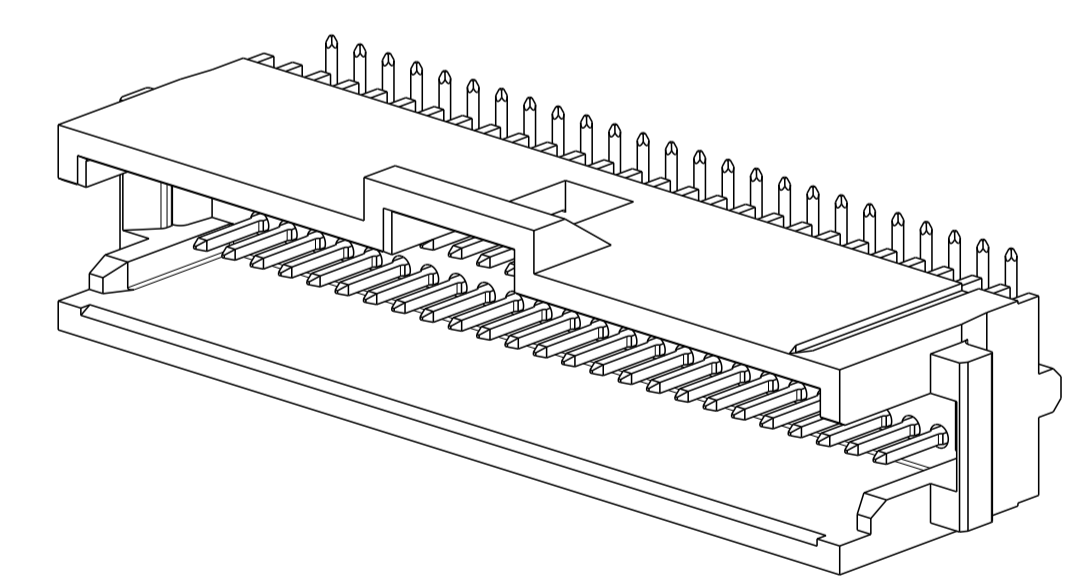
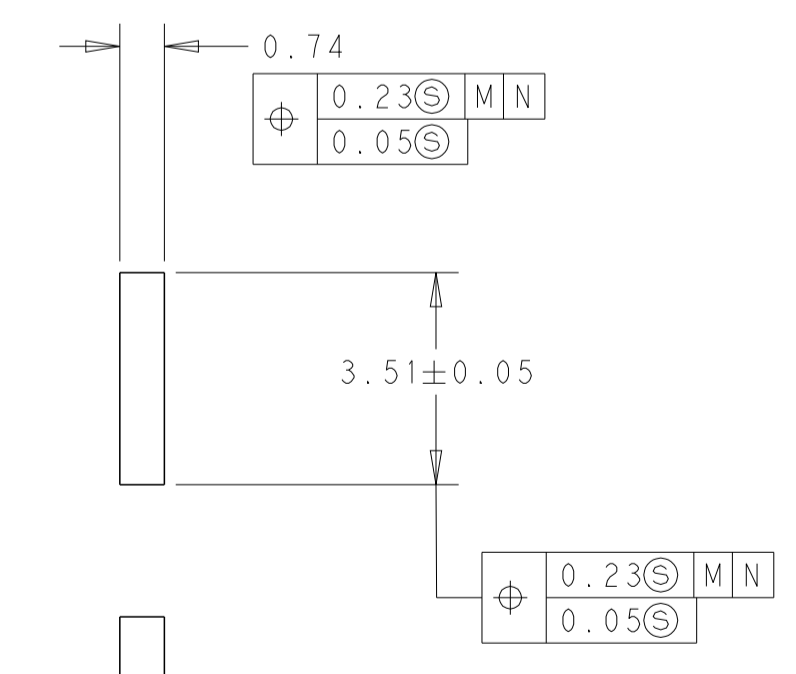
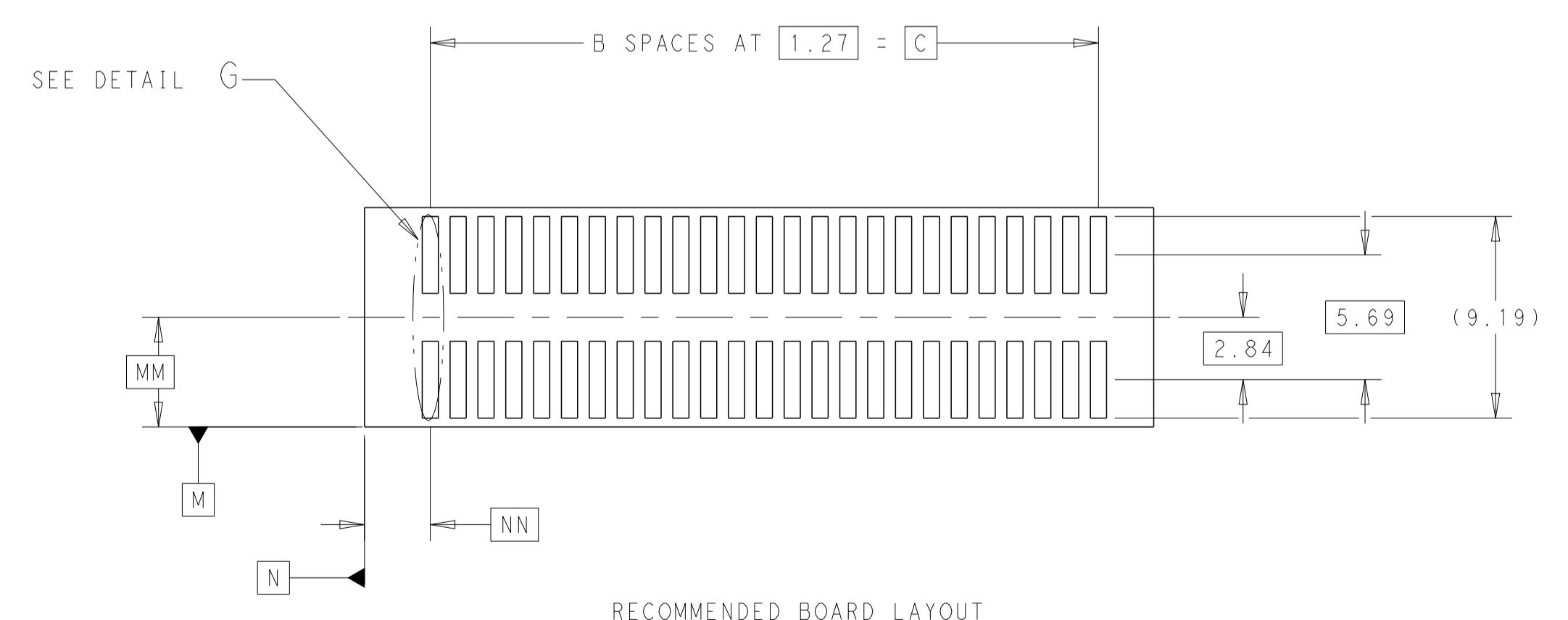
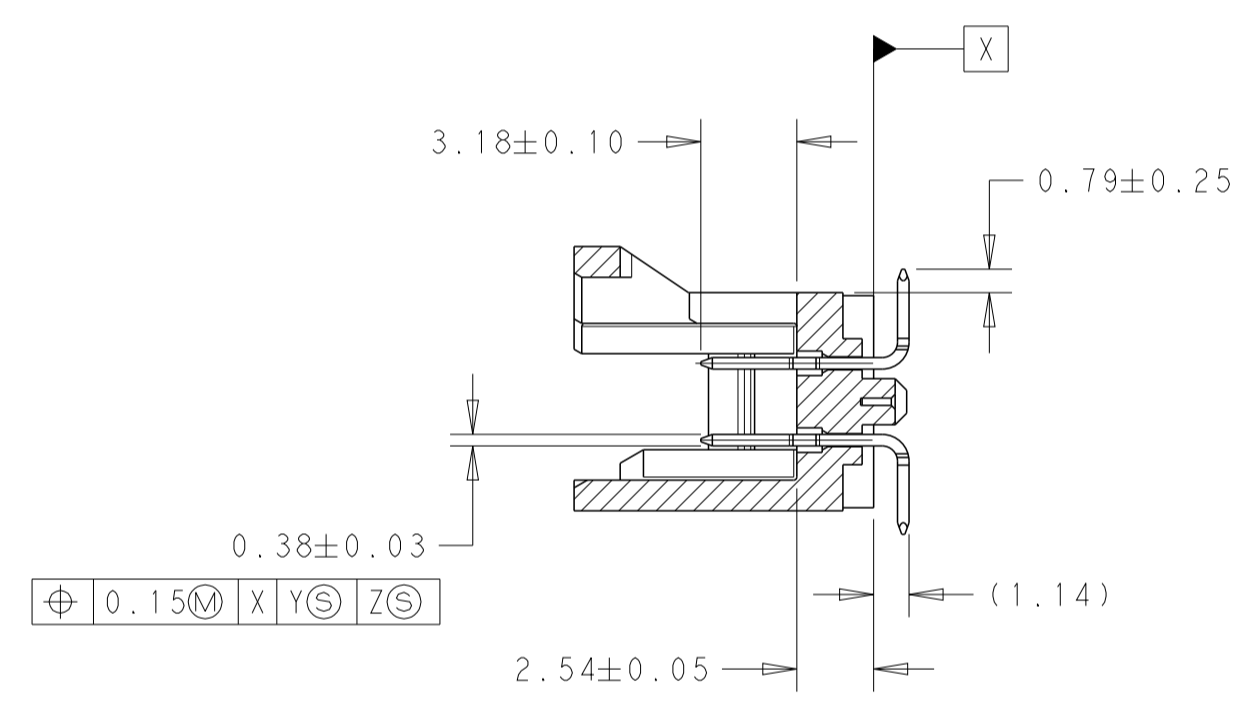
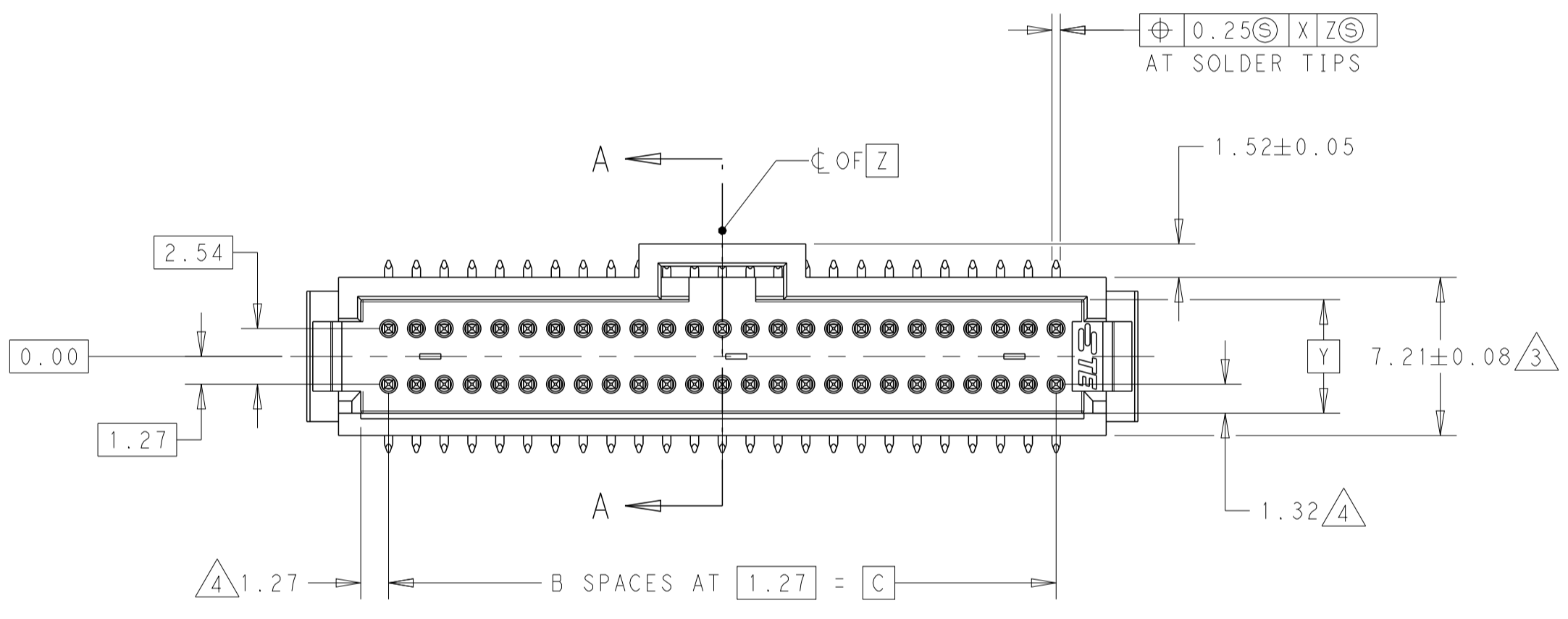


REVISIONS					
P	LTN	DESCRIPTION	DATE	DWN	APVD
E		REDRAWN/REVISED PER ECO-17-001755	05DEC2017	KS	JO



- 1 0.76µm GOLD IN LOCALIZED PLATE AREA, 3.81µm TIN ON SOLDER TAILS ALL OVER 1.27µm NICKEL.
- 2 CIRCUIT IDENTIFICATION FEATURE OMITTED ON 10 POSITION HEADER ASSEMBLIES.
- 3 DIMENSION APPLIES AT BASE OF SHROUD.
- 4 THE NOTED DIMENSIONS APPLY AT THE MATING FACE OF THE HOUSING
- 5. NOTE DELETED.
- 6 HOUSING: BLACK THERMOPLASTIC. CONTACT: COPPER ALLOY.
- 7 FINISH: 0.03µm MIN GOLD ON GOLD PLATED AREA, 3.81µm MATTE TIN ON TIN PLATE AREA, UNDER PLATING TO BE 1.27µm NICKEL ON ENTIRE CONTACT, GOLD AND TIN PLATING MAY NOT OVERLAP.



FINISH	TAPE WIDTHS	DIM.C	B SPACES	DIM.A	NO OF POSN	PART NUMBER	
△		56 mm	30.48	24	35.05	50	2-1825601-1
△		56 mm	30.48	24	35.05	50	1825601-1

THIS DRAWING IS A CONTROLLED DOCUMENT.		DWN R. SHRISHAIL CHK J. OLSON APVD J. OLSON	05DEC2017 05DEC2017 05DEC2017	NAME TE TE Connectivity	
DIMENSIONS:	TOLERANCES UNLESS OTHERWISE SPECIFIED:	PRODUCT SPEC		HEADER ASSEMBLY, W/SIDE & END LATCHES, VERTICAL, SHROUDED, DOUBLE ROW, SURFACE MOUNT, W/O HOLDDOWNS, AMPMODU System 50	
mm	0 PLC ±0.3 2 PLC ±0.13 3 PLC ±0.13 4 PLC ±0.13	APPLICATION SPEC		108-1093	
ANGLES	±0.5°	MATERIAL		SIZE CAGE CODE DRAWING NO	
△	SEE TABLE	CUSTOMER DRAWING		A100779C=1825601	
			SCALE	SHEET	REV
			4:1	1 OF 1	E

Mouser Electronics

Authorized Distributor

Click to View Pricing, Inventory, Delivery & Lifecycle Information:

[TE Connectivity:](#)

[1825601-1](#)