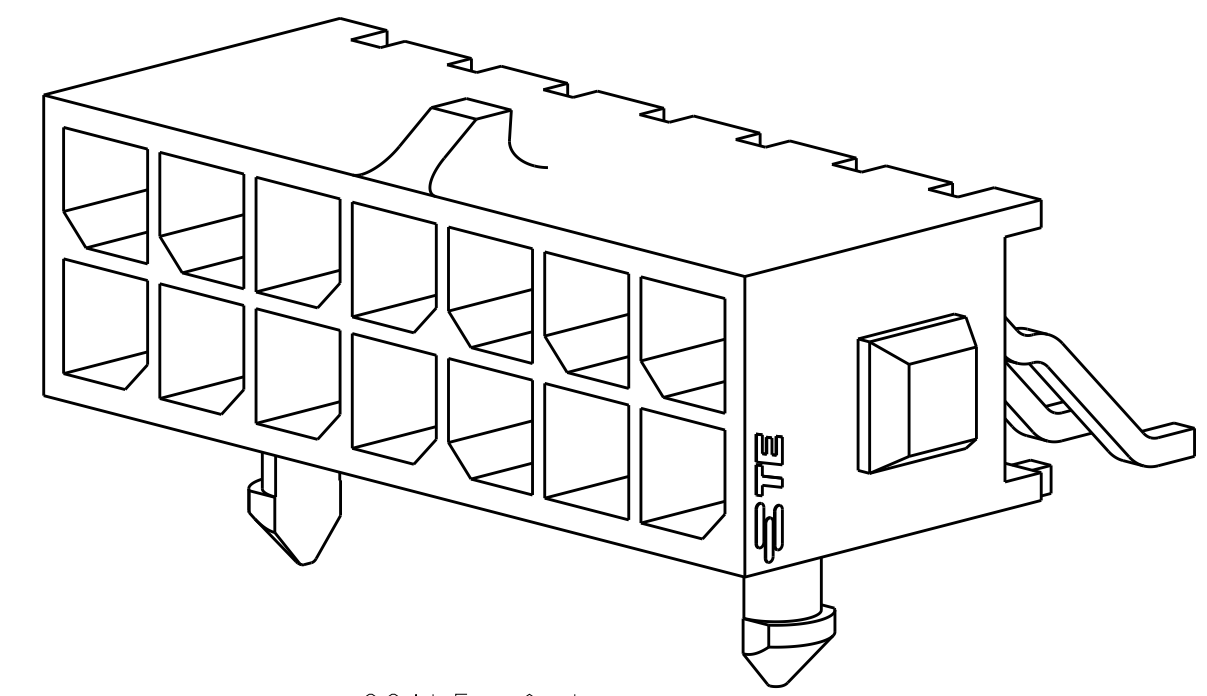
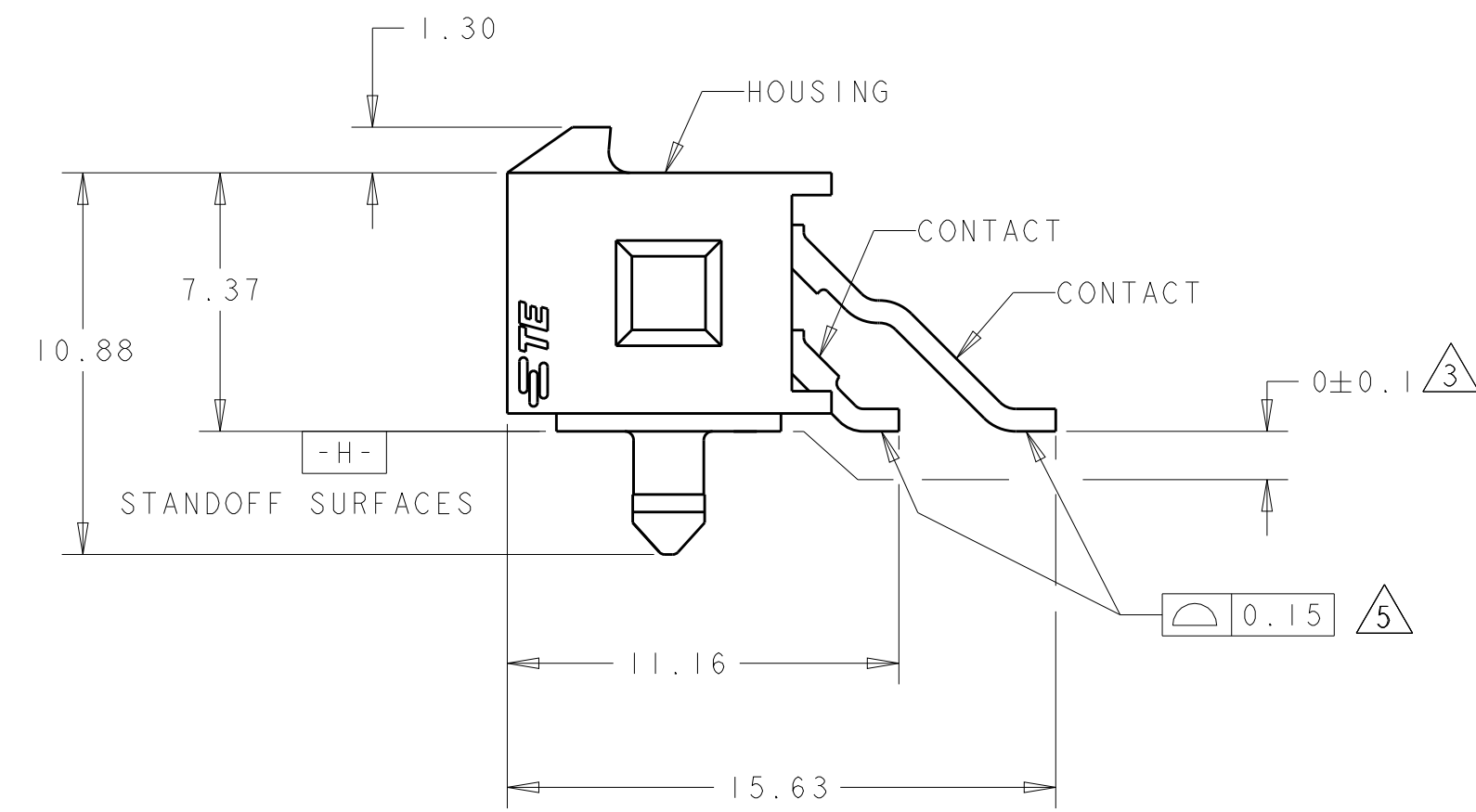
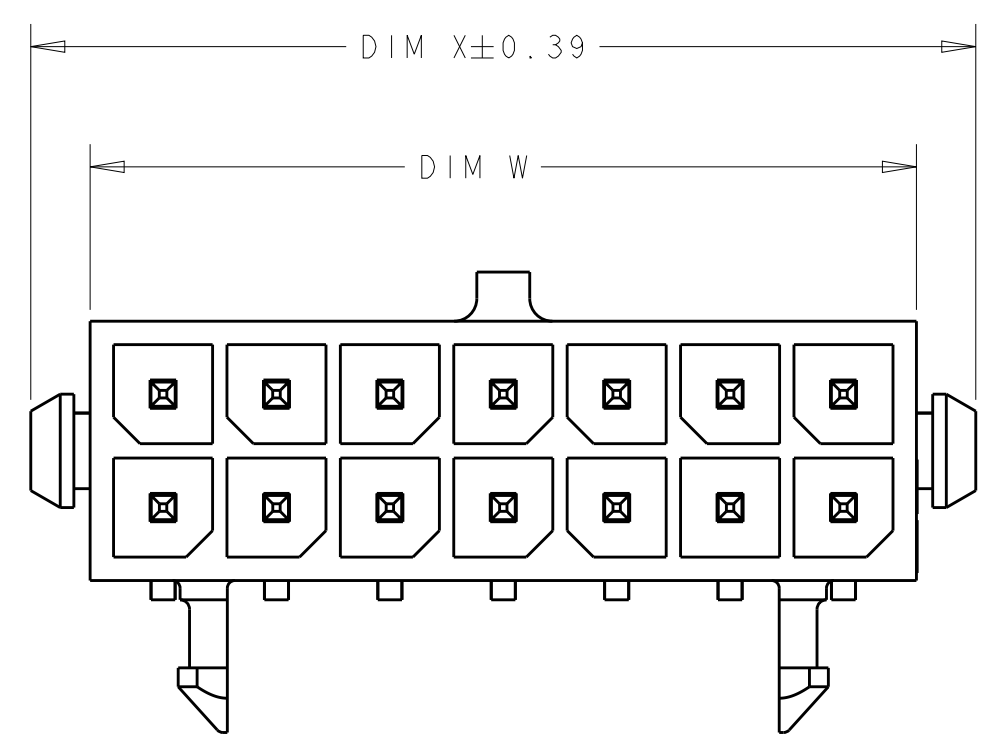
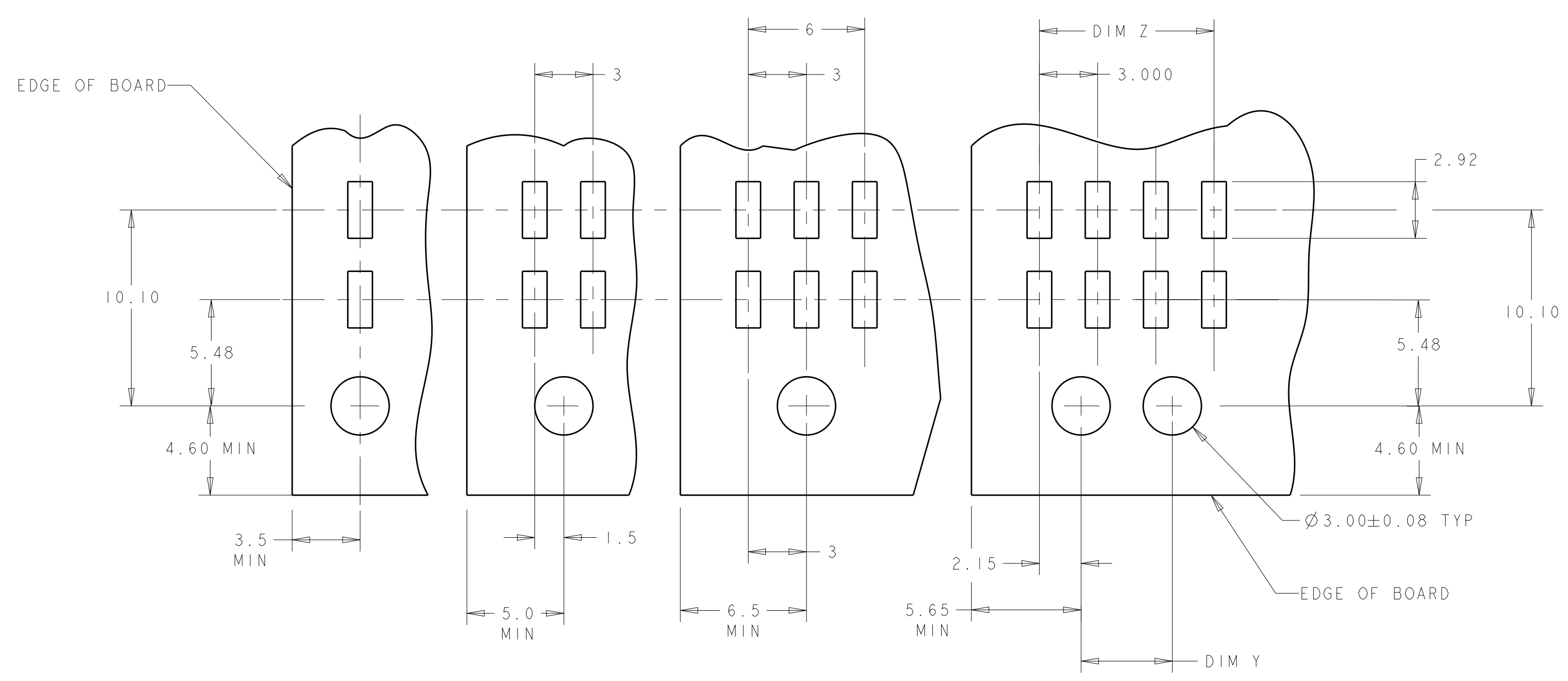
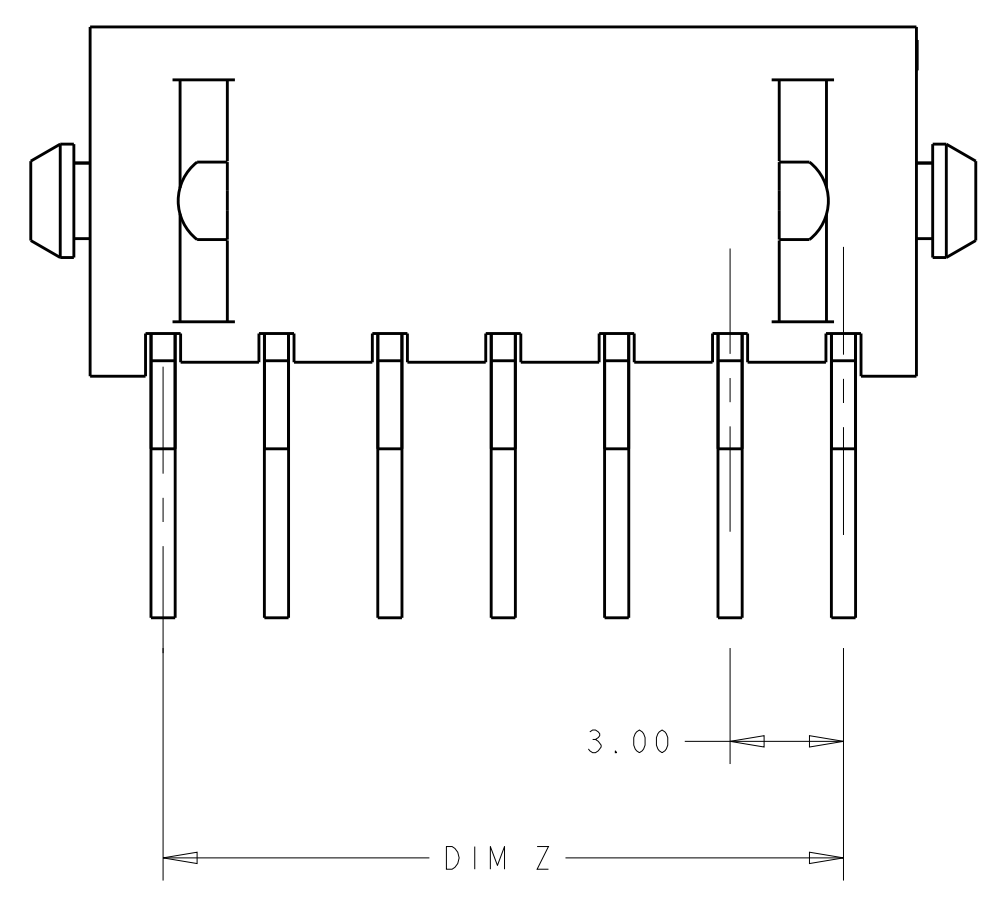


| REVISIONS | | | | | |
|-----------|-----|---------------------------|-----------|-----|------|
| P. | LTN | DESCRIPTION | DATE | DWN | APVD |
| G1 | | REVISED PER ECR-16-011494 | 22JUN2017 | NK | CX |
| G2 | | ECO-19-006502 | 30APR2019 | AP | WS |



SCALE 6:1

- 1 MATERIAL:
CONTACTS - BRASS.
HOUSING - UL 94V-0 RATED HIGH TEMP NYLON, COLOR; BLACK.
- 2 FINISH:
CONTACTS - 2.54µm MINIMUM TIN-LEAD OVER 1.27µm MINIMUM NICKEL.
- 3 DIMENSION APPLIES TO SOLDERTAIL SURFACES AND STANDOFF SURFACES.
- 4 RECOMMENDED PC BOARD THICKNESS OF 1.57.
- 5 ALL SOLDERTAILS.
- 6 FINISH:
CONTACTS - 2.54µm MINIMUM MATTE TIN OVER 1.27µm MINIMUM NICKEL.



RECOMMENDED PCB LAYOUT (COMPONENT SIDE)

| FINISH | DIM Y | DIM W | DIM Z | DIM X | NO. OF POSN. | PART NUMBER |
|--------|-------|-------|-------|-------|--------------|-------------|
| 6 | 36.86 | 28.70 | 33.00 | 40.00 | 24 | 5-794621-4 |
| 6 | 33.86 | 25.70 | 30.00 | 37.00 | 22 | 5-794621-2 |
| 6 | 30.86 | 22.70 | 27.00 | 34.00 | 20 | 5-794621-0 |
| 6 | 27.86 | 19.70 | 24.00 | 31.00 | 18 | 4-794621-8 |
| 6 | 24.86 | 16.70 | 21.00 | 28.00 | 16 | 4-794621-6 |
| 6 | 21.86 | 13.70 | 18.00 | 25.00 | 14 | 4-794621-4 |
| 6 | 18.86 | 10.70 | 15.00 | 22.00 | 12 | 4-794621-2 |
| 6 | 15.86 | 7.70 | 12.00 | 19.00 | 10 | 4-794621-0 |
| 6 | 12.86 | 4.70 | 9.00 | 16.00 | 8 | 3-794621-8 |
| 6 | 9.86 | - | 6.00 | 13.00 | 6 | 3-794621-6 |
| 6 | 6.86 | - | 3.00 | 10.00 | 4 | 3-794621-4 |
| 6 | 3.86 | - | - | 7.00 | 2 | 3-794621-2 |
| 2 | 36.86 | 28.70 | 33.00 | 40.00 | 24 | 2-794621-4 |
| 2 | 33.86 | 25.70 | 30.00 | 37.00 | 22 | 2-794621-2 |
| 2 | 30.86 | 22.70 | 27.00 | 34.00 | 20 | 2-794621-0 |
| 2 | 27.86 | 19.70 | 24.00 | 31.00 | 18 | 1-794621-8 |
| 2 | 24.86 | 16.70 | 21.00 | 28.00 | 16 | 1-794621-6 |
| 2 | 21.86 | 13.70 | 18.00 | 25.00 | 14 | 1-794621-4 |
| 2 | 18.86 | 10.70 | 15.00 | 22.00 | 12 | 1-794621-2 |
| 2 | 15.86 | 7.70 | 12.00 | 19.00 | 10 | 1-794621-0 |
| 2 | 12.86 | 4.70 | 9.00 | 16.00 | 8 | 1-794621-8 |
| 2 | 9.86 | - | 6.00 | 13.00 | 6 | 1-794621-6 |
| 2 | 6.86 | - | 3.00 | 10.00 | 4 | 1-794621-4 |
| 2 | 3.86 | - | - | 7.00 | 2 | 1-794621-2 |

SUPERSEDED BY 5-794621-4
 SUPERSEDED BY 5-794621-2
 SUPERSEDED BY 5-794621-0
 SUPERSEDED BY 4-794621-8
 SUPERSEDED BY 4-794621-6
 SUPERSEDED BY 4-794621-4
 SUPERSEDED BY 4-794621-2
 SUPERSEDED BY 4-794621-0
 SUPERSEDED BY 3-794621-8
 SUPERSEDED BY 3-794621-6
 SUPERSEDED BY 3-794621-4
 SUPERSEDED BY 3-794621-2

THIS DRAWING IS A CONTROLLED DOCUMENT. DWN S. HOOVER 23-MAR-2005
 CHM C. JONES 23-MAR-2005
 APVD C. JONES 23-MAR-2005

DIMENSIONS: mm
 TOLERANCES UNLESS OTHERWISE SPECIFIED:
 0 PLC ±
 1 PLC ±0.13
 2 PLC ±
 3 PLC ±
 4 PLC ±
 ANGLES ±

MATERIAL FINISH SEE TABLE

TE Connectivity
 ASSEMBLY, SURFACE MOUNT, R/A, TIN HEADER, PLASTIC BOARDLOCK, MICRO MATE-N-LOK(TM)

SIZE 114-13000
 WEIGHT
 CUSTOMER DRAWING

SCALE 5:1 SHEET 1 OF 1 REV G2