

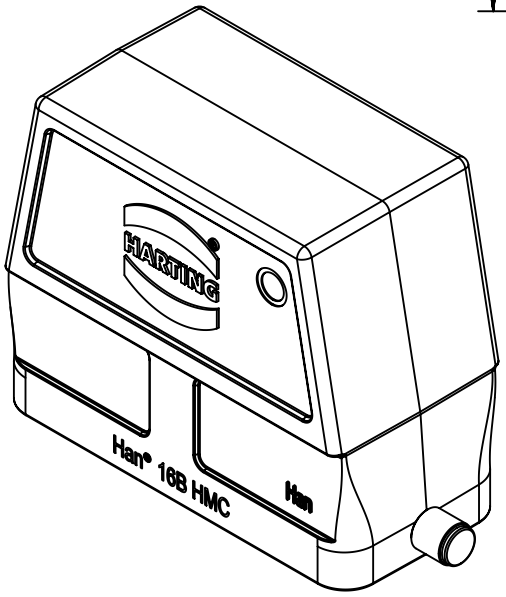
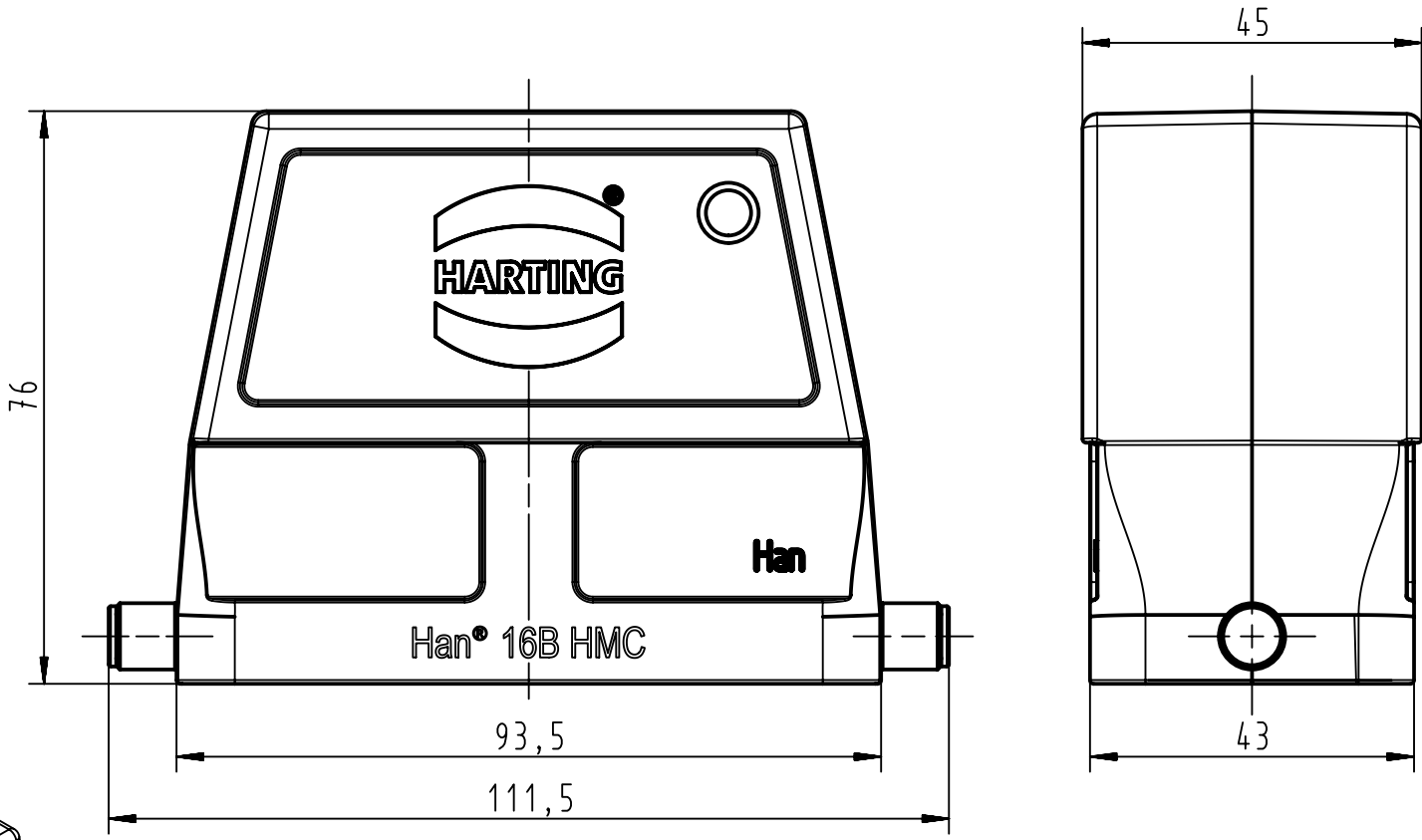
1 2 3 4 5 6

A

B

C

D



	All Dimensions in mm Original Size DIN A4	Scale 1:1			Free size tol.		Ref.	
		Created by HOLLERT		Inspected by BERGHORN	Standardisation SCHMIDTM	Date 2013-03-21	State Final Release	
	All rights reserved Department EL PD - DE	Title Han 16B-HMC-g-R				Doc-Key / ECM-Nr. 100533947/UGD/002/A 500000060187		
		HARTING Electric GmbH & Co. KG D-32339 Espelkamp		Type TB	Number 09 30 216 0803		Rev. A	Page 1/1

Mouser Electronics

Authorized Distributor

Click to View Pricing, Inventory, Delivery & Lifecycle Information:

[HARTING:](#)

[09302160803](#) [11200030300](#)