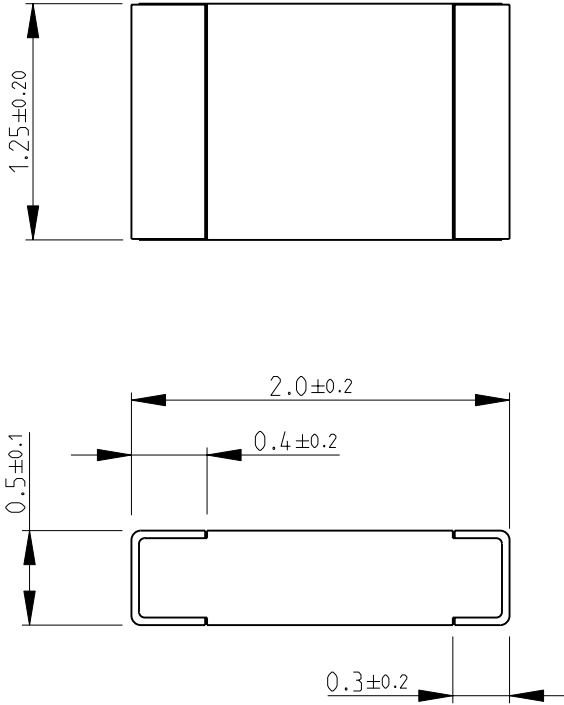
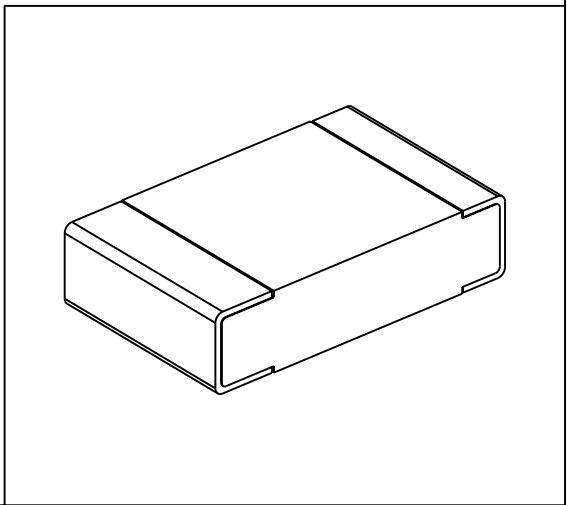


| LOC | DIST | REVISIONS | | | |
|-----|------|-------------|---------------------------|-----------|-----------|
| P | LTR | DESCRIPTION | DATE | DWN | APVD |
| E | B | BA2 | REVISED PER ECO-11-005150 | 29MAR2011 | RK HMR |

FOR FURTHER INFORMATION SEE DATA SHEET FOR CPF SERIES-THIN FILM PRECISION CHIP RESISTORS



RoHS Compliant



2008

RELEASED FOR PUBLICATION

ALL RIGHTS RESERVED.

THIS DRAWING IS UNPUBLISHED.

BY -
© COPYRIGHT 2008

| | | | | | | |
|--|------------------|-----------|--|-----------|-------------|---------------|
| DIMENSIONS: mm | DWN | 22-Sep-08 | MATERIAL | - | FINISH | - |
| | CHK | 22-Sep-08 | TE Connectivity | | | |
| TOLERANCES UNLESS OTHERWISE SPECIFIED: | APVD | 22-Sep-08 | | | | |
| 0 PLC ± 0.2 | STEPHEN.P | | NAME THIN FILM PRECISION CHIP RESISTORS SERIES CPF 0805 | | | |
| 1 PLC ± 0.1 | PRODUCT SPEC | - | | | | |
| 2 PLC ± - | APPLICATION SPEC | - | SIZE | CAGE CODE | DRAWING NO | RESTRICTED TO |
| 3 PLC ± - | | | A 4 | 00779 | © = 1614884 | - |
| 4 PLC ± - | | | CUSTOMER DRAWING | | | |
| ANGLES ± 5° | WEIGHT | - | SCALE | 25:1 | SHEET | 1 OF 1 |
| | | | | | | REV BA2 |

Mouser Electronics

Authorized Distributor

Click to View Pricing, Inventory, Delivery & Lifecycle Information:

[TE Connectivity:](#)

[CPF0805B12RE1](#)