

THIS DRAWING IS UNPUBLISHED.

RELEASED FOR PUBLICATION

20

LOC HQ DIST 00

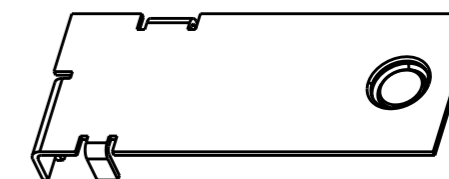
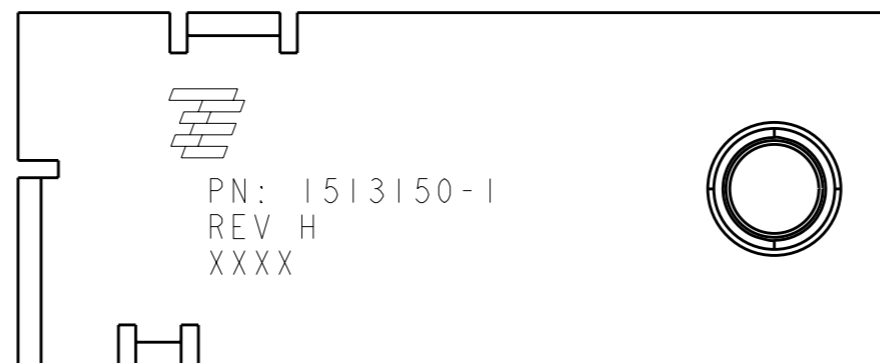
REVISIONS

© COPYRIGHT 20 BY - ALL RIGHTS RESERVED.

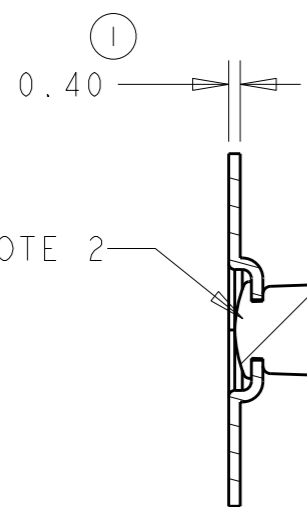
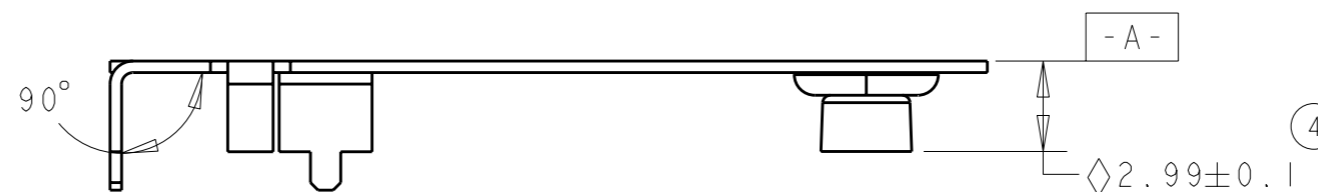
P	LTR	DESCRIPTION	DATE	DWN	APVD
	H	REV PER ECO 12-002787	10FEB2012	DW	GG

NOTES: UNLESS OTHERWISE SPECIFIED.

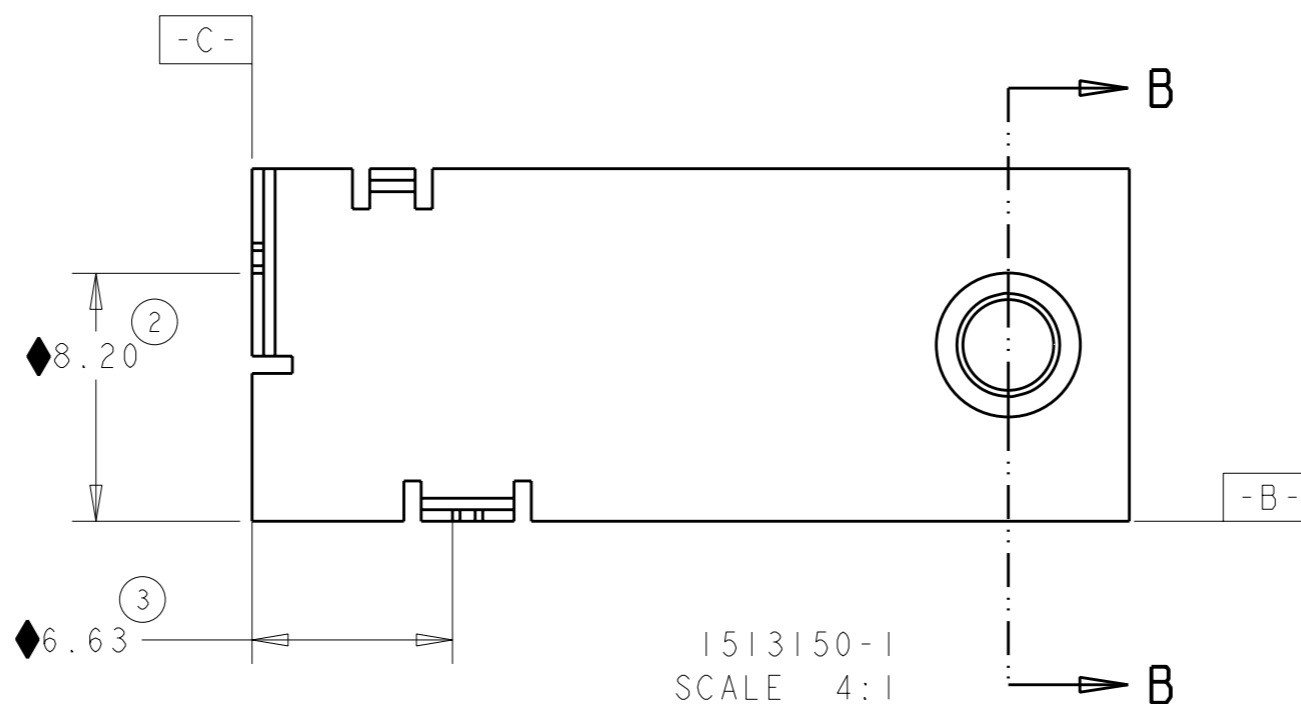
- PART ARE RoHS COMPLIANT PER TE CONNECTIVITY STANDARD TEC-138-702
- PART WILL BE IDENTIFIED WITH TE LOGO, REV, PART NUMBER AND 4 DIGIT DATE CODE. WITH THE 1st TWO DIGITS FOR THE YEAR AND THE 2nd TWO DIGITS FOR THE WEEK.
- CONSULT TE CONNECTIVITY DATA SHEET DS1513150



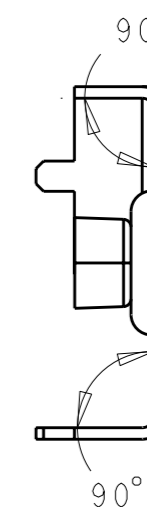
FINISHED PRODUCT P/N 1513150-1



SECTION B-B



1513150-1 SCALE 4:1



THIS DRAWING IS A CONTROLLED DOCUMENT.		DWN DJL 28APR2003	TE Connectivity			
DIMENSIONS: mm		CHK -				
TOLERANCES UNLESS OTHERWISE SPECIFIED:		APVD -	NAME Bluetooth 802.11b Antenna Assembly Fabrication Drawing			
0 PLC ±.25 1 PLC ±.10 2 PLC ±.05 3 PLC ±.025 4 PLC ±.01 ANGLES ±1°		PRODUCT SPEC -				
MATERIAL -	FINISH -	APPLICATION SPEC -	SIZE A3	CAGE CODE 00779	DRAWING NO C-1513150	RESTRICTED TO -
		WEIGHT -	SCALE 2:1		SHEET 1 OF 1	REV H
		CUSTOMER DRAWING				

Mouser Electronics

Authorized Distributor

Click to View Pricing, Inventory, Delivery & Lifecycle Information:

[TE Connectivity:](#)

[1513150-1](#)