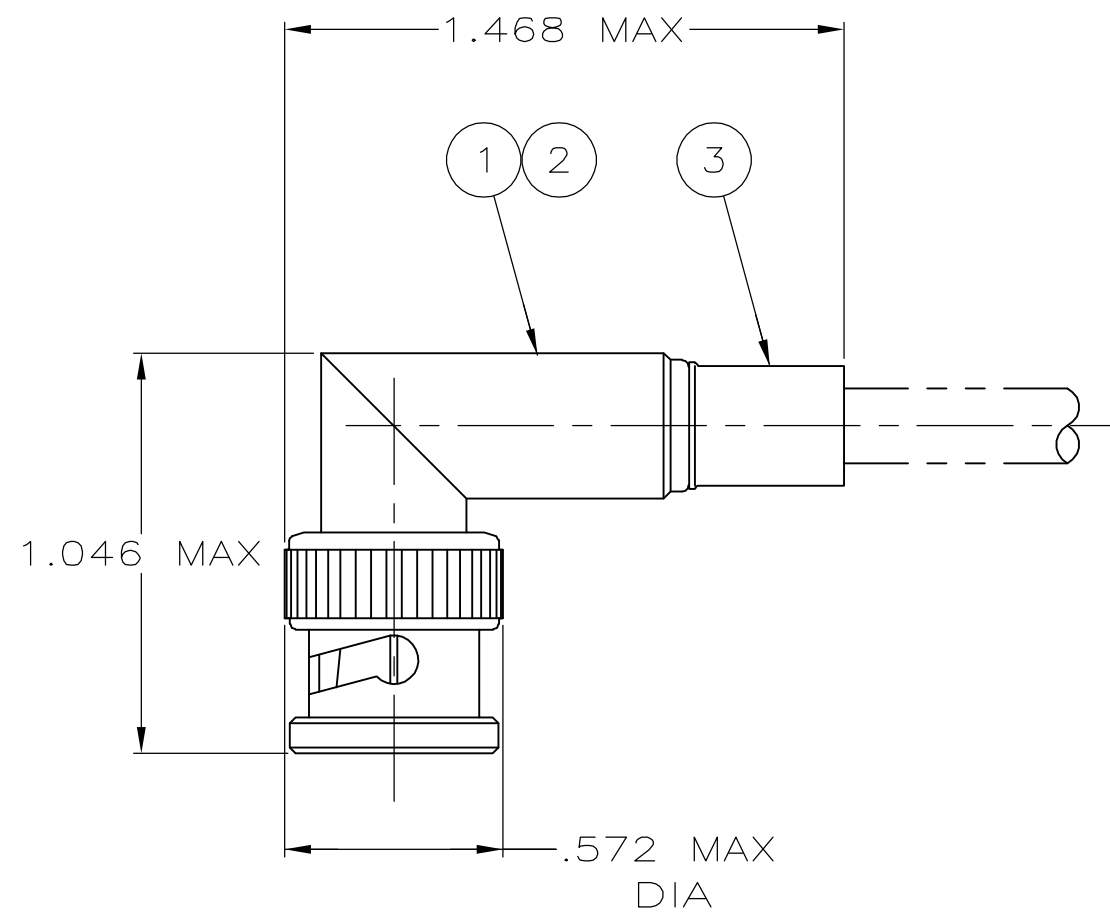
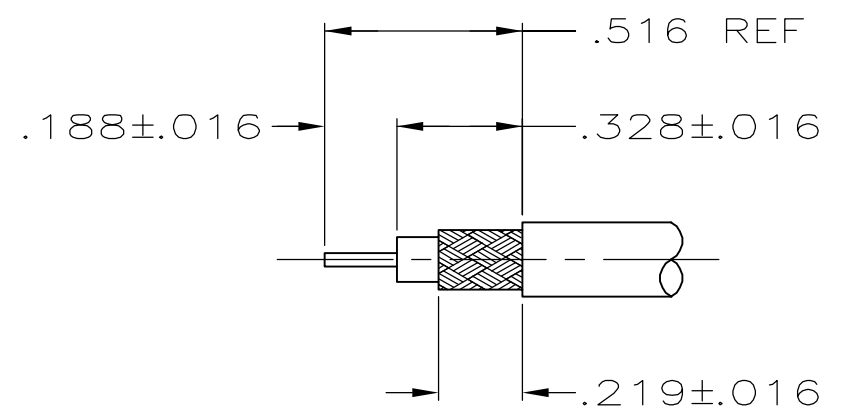


THIS DRAWING IS UNPUBLISHED. RELEASED FOR PUBLICATION  
 © COPYRIGHT BY TYCO ELECTRONICS CORPORATION. ALL RIGHTS RESERVED.

LOC	DIST	REVISIONS					
AJ	16	P	LTR	DESCRIPTION	DATE	DWN	APVD
			A	REVISED PER EC OS14-0158-05	27JULY05	BM	JL



1. USE HAND TOOL 69478-1.
2. SEE INSTRUCTION SHEET 408-1914-5.



RG 142/U, 142A/U, & 142B/U	9-225382-1	1-331369-2	225975-1	5225973-4
RG 58/U, 58A/U, 58B/U, & 58C/U	9-225381-1	331369	225975-1	5225973-1
CABLE	③ FERRULE QTY=1	② CONTACT QTY=1	① PLUG ASSY QTY=1	PART NUMBER

RECOMMENDED STRIP LENGTH

THIS DRAWING IS A CONTROLLED DOCUMENT.		DWN J. HAVENER 27JUL2005	Tyco Electronics Corporation Harrisburg, Pa 17105-3608	
DIMENSIONS: INCHES		CHK J. HAVENER 27JUL2005		
TOLERANCES UNLESS OTHERWISE SPECIFIED:		APVD J. LIPPERT 27JUL2005	NAME PLUG, RIGHT ANGLE, DUAL CRIMP, BNC	
0 PLC ± - 1 PLC ± - 2 PLC ± - 3 PLC ± - 4 PLC ± - ANGLES ± -		PRODUCT SPEC 108-12020	RESTRICTED TO	
MATERIAL		APPLICATION SPEC	SIZE A3	CAGE CODE 00779
FINISH		WEIGHT	DRAWING NO C-5225973	REV A
CUSTOMER DRAWING			SCALE 2:1	SHEET 1 OF 1

# Mouser Electronics

Authorized Distributor

Click to View Pricing, Inventory, Delivery & Lifecycle Information:

[TE Connectivity:](#)

[5225973-4](#)