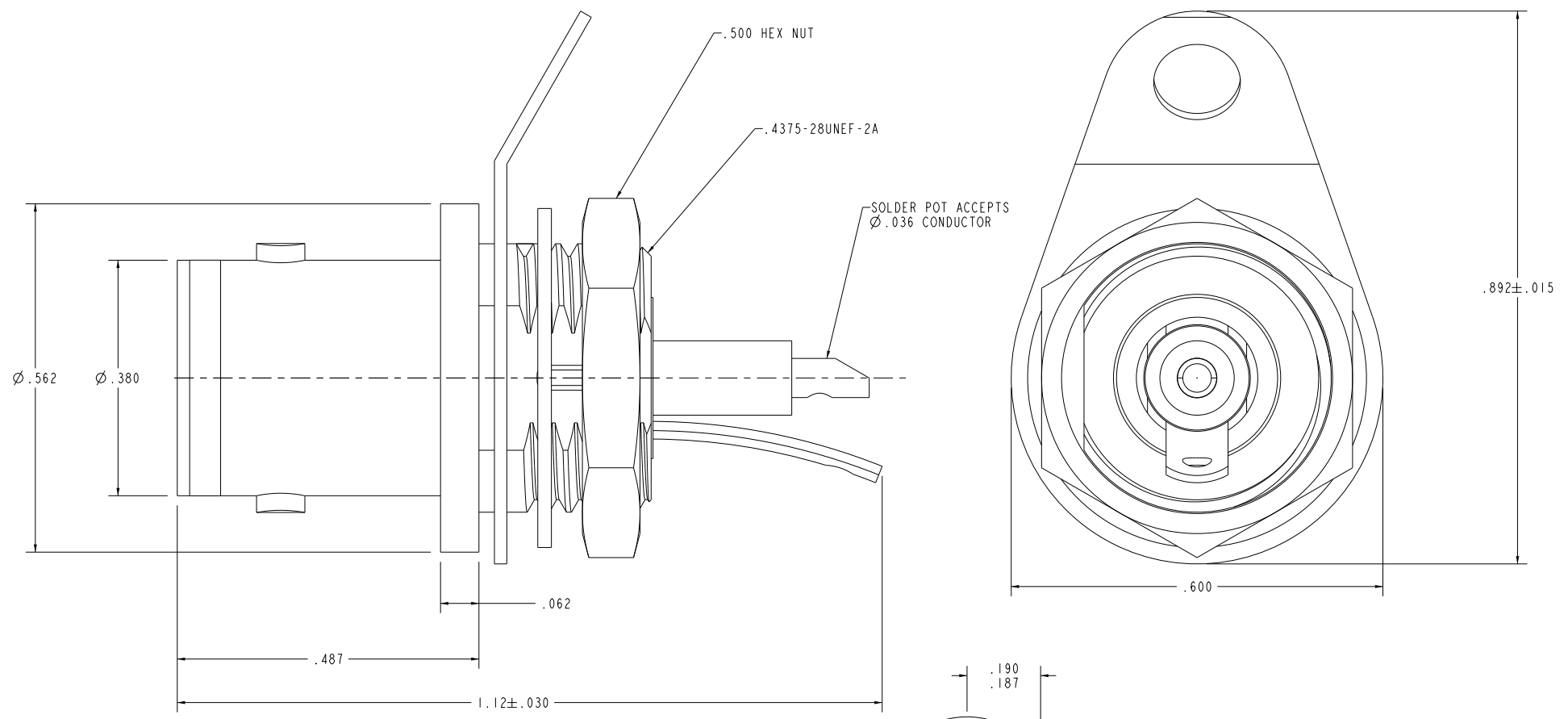


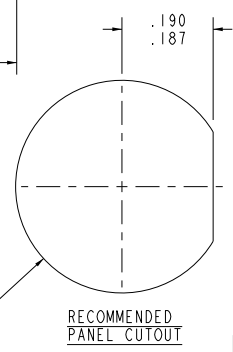
DATA CONTAINED IN THIS DOCUMENT IS PROPRIETARY TO EMERSON CONNECTIVITY SOLUTIONS AND SHALL NOT BE DISCLOSED, COPIED OR USED FOR PROMOTION OR MANUFACTURE WITHOUT EXPRESS WRITTEN PERMISSION

REVISIONS			
REV	DESCRIPTIONS	DATE	APPROVED
K	ECO 52831	12/20/10	T.KOHLER



3. MAX PANEL THK .125
2. SOCKET CONTACT CONCENTRIC TWINAX/ TRIAX 2-LUG TRB SOLDER POT BULKHEAD MOUNT RECEPTACLE
1. FINISH: TFS-1A (NICKEL)

NOTES: UNLESS OTHERWISE SPECIFIED.



I INTERPRET DRAWING PER MIL-STD-100. DIMENSIONS ARE IN INCHES AND INCLUDE FINISH THICKNESS UNLESS OTHERWISE SPECIFIED.		TOL: UNLESS SPECIFIED. .XX ± .XXX ± .005 .XXXX ± ANGLE ± CRITICAL	
DRN J. CRAWFORD 1/29/11	CHK C. WALLACE 2/7/11	MATERIAL:	
QUALITY	MANUF	FINISH:	
APPROVED	TITLE: BJ77TL		
N/A	PROJ FILE NO. 305-0508	DO NOT SCALE DWG	SCALE 8/1
SURFACE AREA	DATE 10/10/83	SHEET 1 OF 2	REV. K



Mouser Electronics

Authorized Distributor

Click to View Pricing, Inventory, Delivery & Lifecycle Information:

[Cinch Connectivity Solutions:](#)

[BJ77TL](#)