

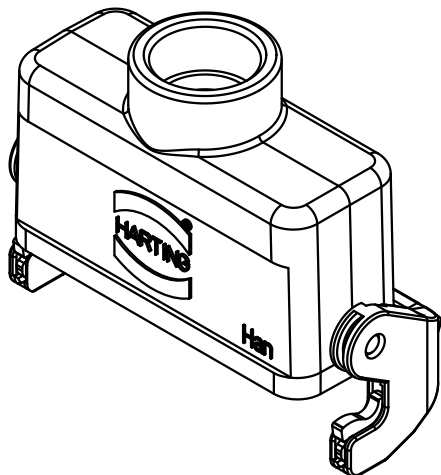
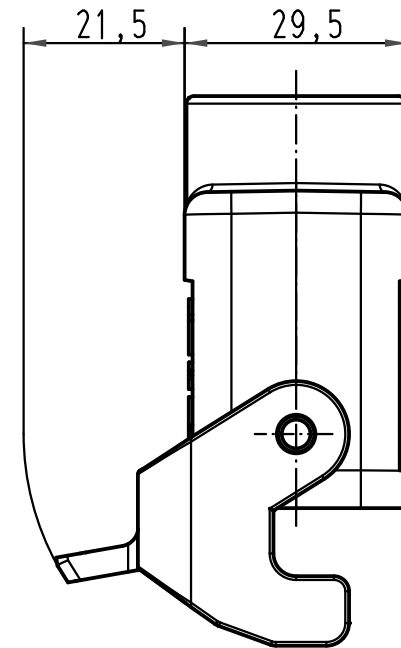
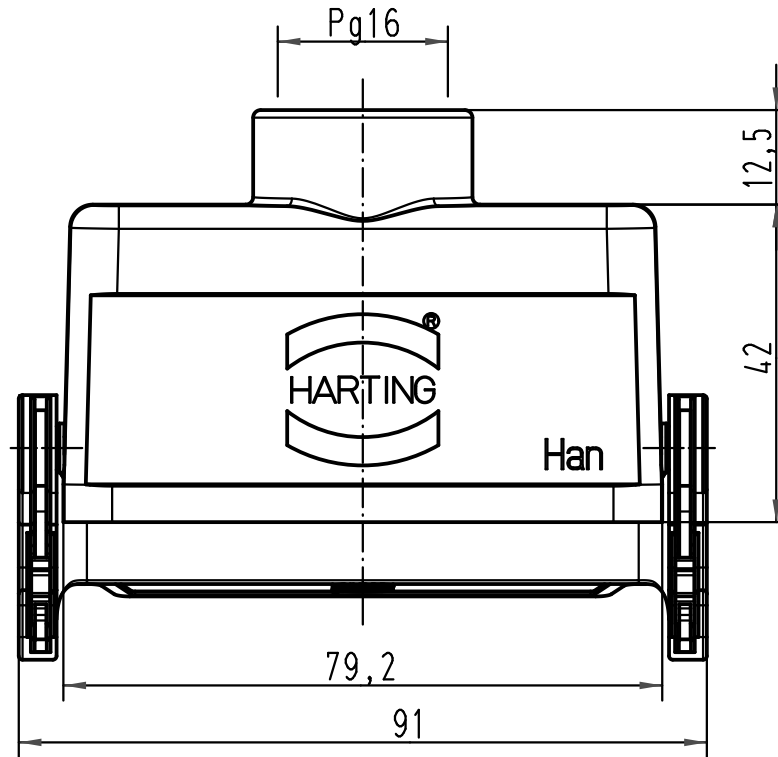
1 2 3 4 5 6

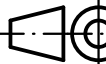

A

B

C

D



| | | | | | | | | |
|---|----------|------|---|----------|--------|---|--|--|
|  All Dimensions in mm Original Size DIN A 4 | | | Techn. Character. | | | Nicht tolerierte Maßel/Free size tolerances | | |
| | | | | Dat. | Name | Maßstab/Scale | | Han 16A-kg-LB-16 Kupplungsgehäuse/ hood cable to cable |
| | | | Detail. | 07.04.97 | ROH. | 1:1 | | |
| | | | Insp. | | G.SCH. | | | |
| 413155 | 27.08.07 | Ho | Stand. | | | | | |
| 25859 | 30.04.99 | Gü | HARTING Electric GmbH & Co. KG | | | TB 09 20 016 1730 | | Blatt/ page |
| 21858 | | | D-32339 Espelkamp | | | | | |
| Mod. | Dat. | Name |  | | | Sub. TB 09 20 016 1730 v. 09.12.88 | | |

Mouser Electronics

Authorized Distributor

Click to View Pricing, Inventory, Delivery & Lifecycle Information:

[HARTING:](#)

[09200161730](#)