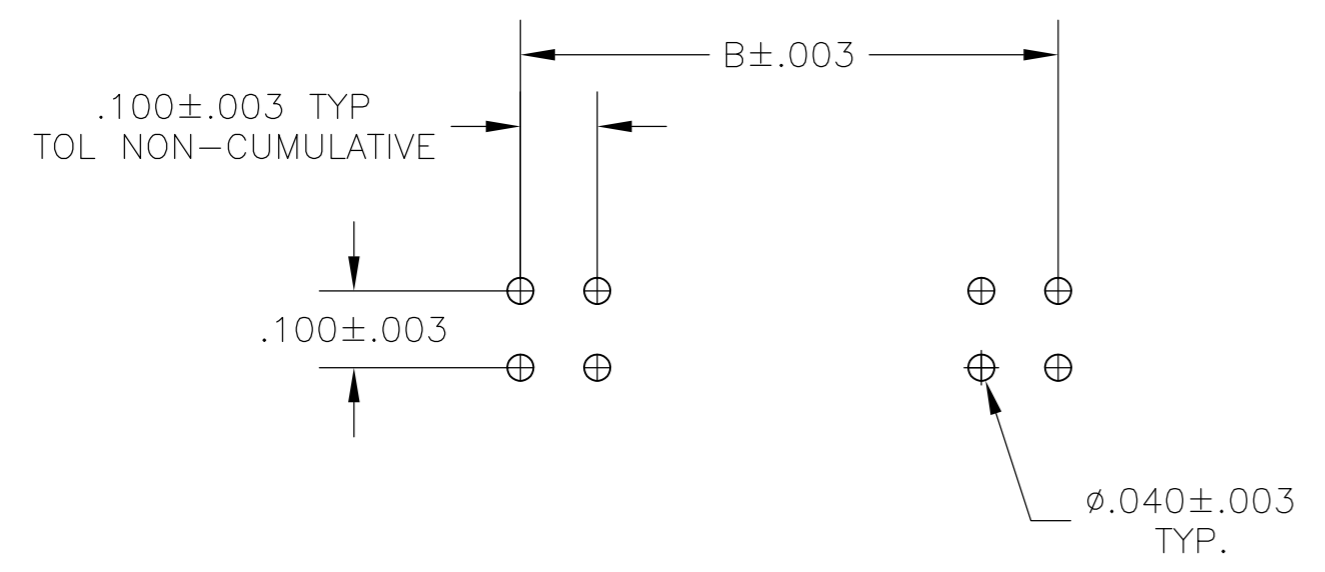
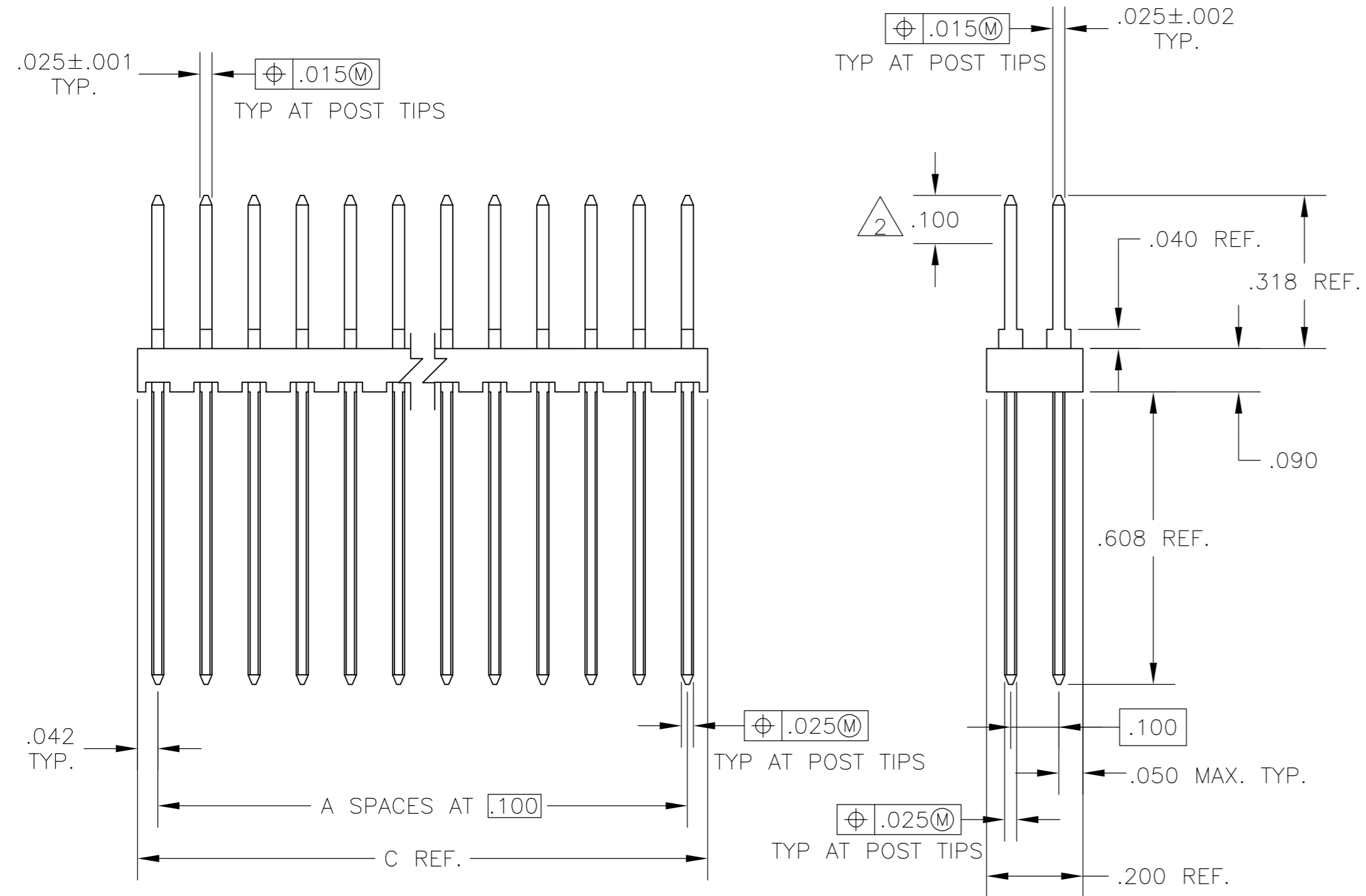
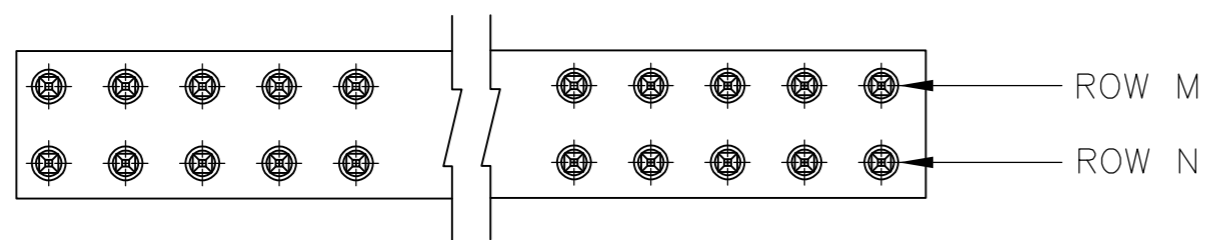


THIS DRAWING IS UNPUBLISHED. RELEASED FOR PUBLICATION  
 © COPYRIGHT BY TYCO ELECTRONICS CORPORATION. ALL RIGHTS RESERVED.

LOC		DIST		REVISIONS			
AD	OO	P	LTR	DESCRIPTION	DATE	DWN	APVD
		J1		REVISED PER ECO-09-024717	06NOV09	KK	AEQ



RECOMMENDED HOLE LAYOUT

1. TRUE POSITION OF POST TIPS APPLIES WHEN HEADERS ARE HELD FLAT AGAINST PRINTED CIRCUIT BOARD.  
 2. POINT OF MEASUREMENT FOR PLATING THICKNESS.  
 3. OBSOLETE PARTS: OBSOLETE CIS STREAMLINING PER D.RENAUD/D.SINISI

OBSOLETE	1,2,3,4	1,2,3,4	3.984	3.900	39	80	4-87545-2
	1	1	3.984	3.900	39	80	4-87545-1
	-	-	3.984	3.900	39	80	4-87545-0
OBSOLETE	-	-	3.884	3.800	38	78	3-87545-9
OBSOLETE	-	-	3.784	3.700	37	76	3-87545-8
OBSOLETE	-	-	3.684	3.600	36	74	3-87545-7
OBSOLETE	-	-	3.584	3.500	35	72	3-87545-6
OBSOLETE	-	-	3.484	3.400	34	70	3-87545-5
OBSOLETE	-	-	3.384	3.300	33	68	3-87545-4
OBSOLETE	-	-	3.284	3.200	32	66	3-87545-3
	-	-	3.184	3.100	31	64	3-87545-2
OBSOLETE	-	-	3.084	3.000	30	62	3-87545-1
OBSOLETE	-	-	2.984	2.900	29	60	3-87545-0
OBSOLETE	-	-	2.884	2.800	28	58	2-87545-9
OBSOLETE	-	-	2.784	2.700	27	56	2-87545-8
OBSOLETE	-	-	2.684	2.600	26	54	2-87545-7
OBSOLETE	-	-	2.584	2.500	25	52	2-87545-6
OBSOLETE	-	-	2.484	2.400	24	50	2-87545-5
OBSOLETE	-	-	2.384	2.300	23	48	2-87545-4
OBSOLETE	-	-	2.284	2.200	22	46	2-87545-3
OBSOLETE	-	-	2.184	2.100	21	44	2-87545-2
OBSOLETE	-	-	2.084	2.000	20	42	2-87545-1
3 OBSOLETE	-	-	1.984	1.900	19	40	2-87545-0
OBSOLETE	-	-	1.884	1.800	18	38	1-87545-9
OBSOLETE	-	-	1.784	1.700	17	36	1-87545-8
OBSOLETE	-	-	1.684	1.600	16	34	1-87545-7
OBSOLETE	-	-	1.584	1.500	15	32	1-87545-6
OBSOLETE	-	-	1.484	1.400	14	30	1-87545-5
	-	-	1.384	1.300	13	28	1-87545-4
3 OBSOLETE	-	-	1.284	1.200	12	26	1-87545-3
3 OBSOLETE	-	-	1.184	1.100	11	24	1-87545-2
3 OBSOLETE	-	-	1.084	1.000	10	22	1-87545-1
3 OBSOLETE	-	-	.994	.900	9	20	1-87545-0
OBSOLETE	-	-	.884	.800	8	18	87545-9
3 OBSOLETE	-	-	.784	.700	7	16	87545-8
OBSOLETE	-	-	.684	.600	6	14	87545-7
3 OBSOLETE	-	-	.584	.500	5	12	87545-6
	-	-	.484	.400	4	10	87545-5
3 OBSOLETE	-	-	.384	.300	3	8	87545-4
OBSOLETE	-	-	.284	.200	2	6	87545-3
OBSOLETE	-	-	.184	.100	1	4	87545-2
OBSOLETE	-	-	.084	-	-	2	87545-1

ROM M	ROM N	C	B	A	NO OF POS	ASSEMBLY PART NUMBER
POSN NUMBER OMITTED						

THIS DRAWING IS A CONTROLLED DOCUMENT.

DWN: S. SHUEY 10DEC96  
 CHK: S. SHUEY 10DEC96  
 APVD: S. SHUEY 10DEC96

Tyco Electronics Corporation  
 Harrisburg, Pa 17105-3608

NAME: HEADER ASSEMBLY, MOD II  
 .025 SQ. POST,  
 .100x.100CL GRID, DOUBLE ROW

SIZE: A2 CAGE CODE: 00779 DRAWING NO: C=87545 RESTRICTED TO: -

MATERIAL: FLAME RETARDANT THERMOPLASTIC, COLOR-BLACK POSTS: PHOS BRONZE  
 FINISH: POSTS: .000030 GOLD OVER .000050 NICKEL

WEIGHT: -

CUSTOMER DRAWING

SCALE: 4:1 SHEET: 1 OF 1 REV: J1

# Mouser Electronics

Authorized Distributor

Click to View Pricing, Inventory, Delivery & Lifecycle Information:

[TE Connectivity:](#)

[87545-5](#)