

Features

Frequency range : 24MHz to 66MHz
 Ultra compact and thin
 AuSn sealing, ceramic SMD package
 External dimensions (mm)
 L : 1.6 x W : 1.2 x H : 0.35
 RoHS compliant & Pb free

Applications

BT, BLE, W-LAN, NFC
 SiP modules
 Mobile phone, Wearables
 Internet of Things (IoT)
 Portable consumer products

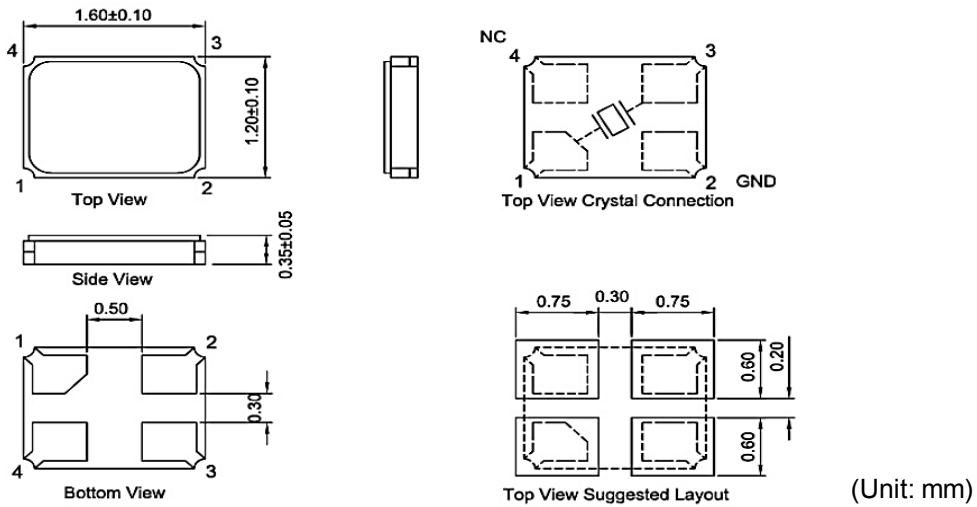
Electrical Characteristics

| Item | | 8Q | Conditions |
|--|-------------|--|-------------------------------|
| Frequency Range | F_0 | 24MHz ~ 66MHz | |
| Frequency Tolerance | F_{tol} | $\pm 30\text{ppm}$, $\pm 20\text{ppm}$, $\pm 10\text{ppm}$ | at 25°C |
| Frequency Stability over Operating Temperature Range (refer to 25°C) | F_{stab} | $\pm 30\text{ ppm}$ | -20°C ~ +70°C |
| | | $\pm 20\text{ ppm}$ | |
| | | $\pm 10\text{ ppm}$ | |
| | | $\pm 10\text{ ppm}$ | -30°C ~ +85°C |
| | | $\pm 30\text{ ppm}$ | -40°C ~ +85°C |
| | | $\pm 20\text{ ppm}$ | |
| Operating Temperature Range | T_{OTR} | -20°C ~ +70°C | |
| | | -40°C ~ +85°C | |
| | | -40°C ~ +125°C | |
| Shunt Capacitance | C_0 | 3pF Max. | |
| Drive Level | D_L | 1 ~ 200 μ W (50 μ W Typ.) | |
| Load Capacitance | C_L | 6pF, 8pF, 10pF, 12pF | |
| Aging | F_{aging} | $\pm 3\text{ ppm Max.}$ | at 25°C \pm 3°C, first year |
| Storage Temperature Range | T_{STR} | -55°C ~ +125°C | |

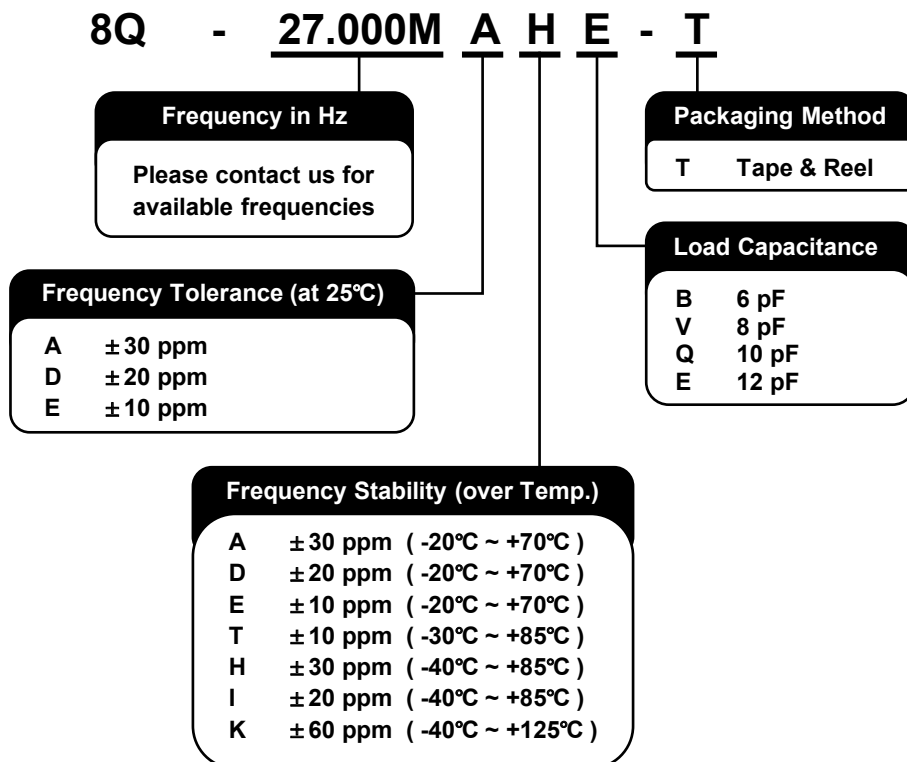
Motional Resistance (ESR)

| Fundamental | |
|-------------|-------------------|
| 24 ~ 30 MHz | 100 Ω Max. |
| 30 ~ 66 MHz | 80 Ω Max. |

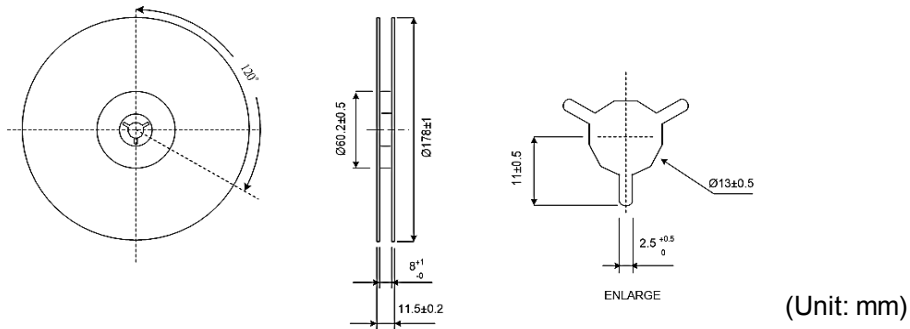
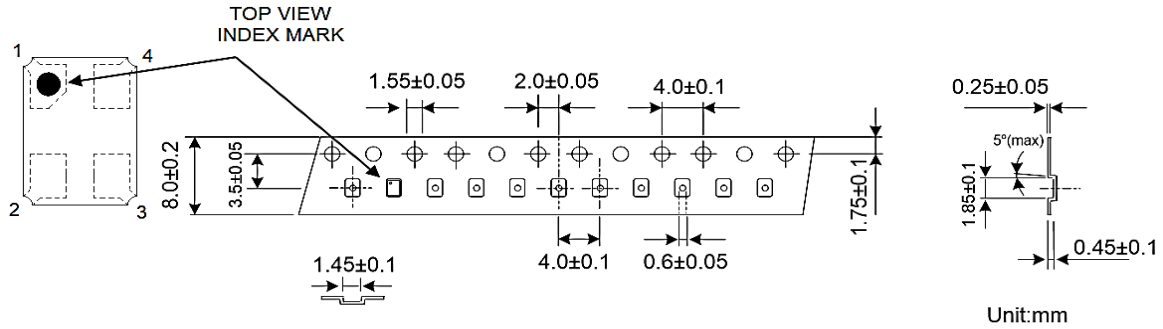
Dimensions



Ordering Information



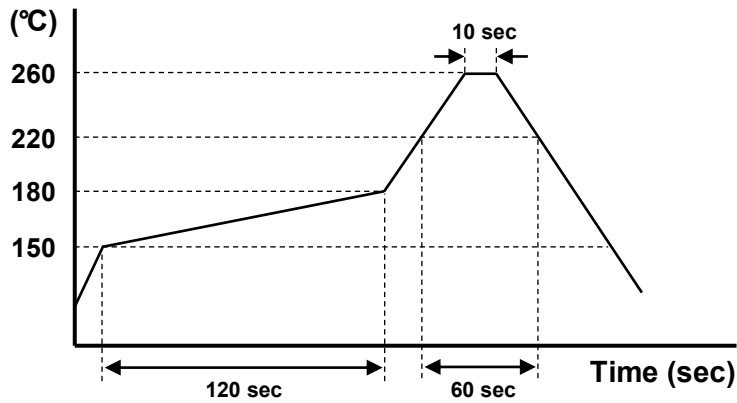
Packing



Reflow Profile

Solder melting point : 220°C ± 10°C, 60 sec. Min.

Peak temperature : 260°C ± 10°C, 10 sec. Min.



Mouser Electronics

Authorized Distributor

Click to View Pricing, Inventory, Delivery & Lifecycle Information:

[TXC Corporation:](#)

[8Q24000001](#) [8Q38470003](#) [8Q37420001](#) [8Q37470007](#) [8Q24010006](#) [8Q24070001](#) [8Q25070003](#) [8Q40010004](#)
[8Q26077003](#) [8Q37470001](#) [8Q40070003](#) [8Q30077001](#) [8QA8070001](#) [8Q50077001](#) [8Q-32.000MEEV-T](#) [8Q-](#)
[40.000MEEV-T](#) [8Q-37.400MEEV-T](#) [8Q-52.000MEEV-T](#) [8Q-48.000MEEV-T](#) [8Q-38.400MAAV-T](#) [8Q-38.400MDDV-T](#)
[8Q-20.000MAAV-T](#) [8Q-20.000MEEV-T](#) [8Q-26.000MDDV-T](#) [8Q-52.000MDDV-T](#) [8Q-38.400MEEV-T](#) [8Q-24.000MAAV-](#)
[T](#) [8Q-37.400MAAV-T](#) [8Q-26.000MAAV-T](#) [8Q-24.000MEEV-T](#) [8Q-32.000MDDV-T](#) [8Q-26.000MEEV-T](#) [8Q-](#)
[24.000MDDV-T](#) [8Q-48.000MDDV-T](#) [8Q-27.120MDDV-T](#) [8Q-32.000MAAV-T](#) [8Q-48.000MAAV-T](#) [8Q-40.000MDDV-T](#)
[8Q-26.000MEEQ-T](#) [8Q-27.120MAAV-T](#) [8Q-52.000MAAV-T](#) [8Q-27.120MEEV-T](#) [8Q-40.000MAAV-T](#) [8Q-37.400MDDV-](#)
[T](#) [8Q-20.000MDDV-T](#) [8Q-27.000MEEQ-T](#) [8Q-26.000MEEE-T](#)