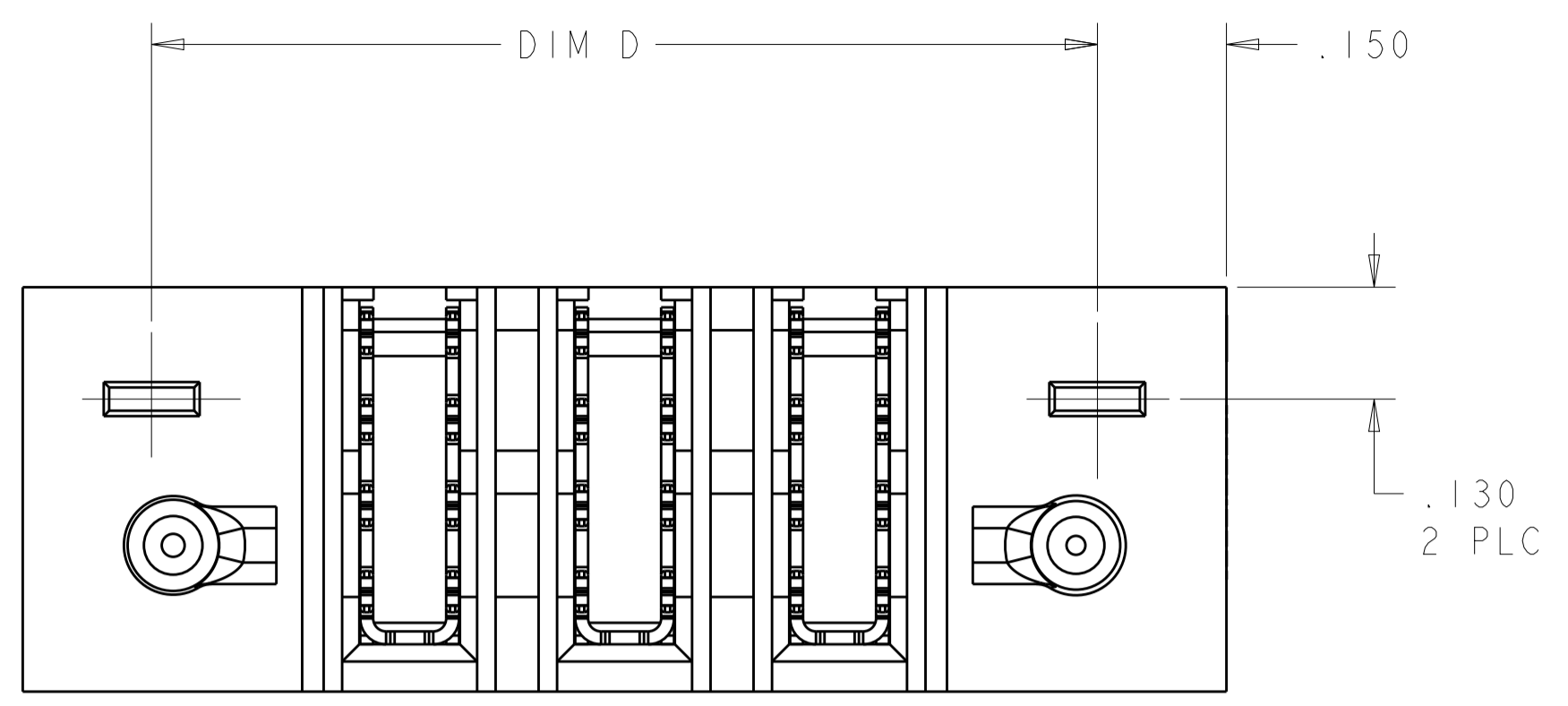
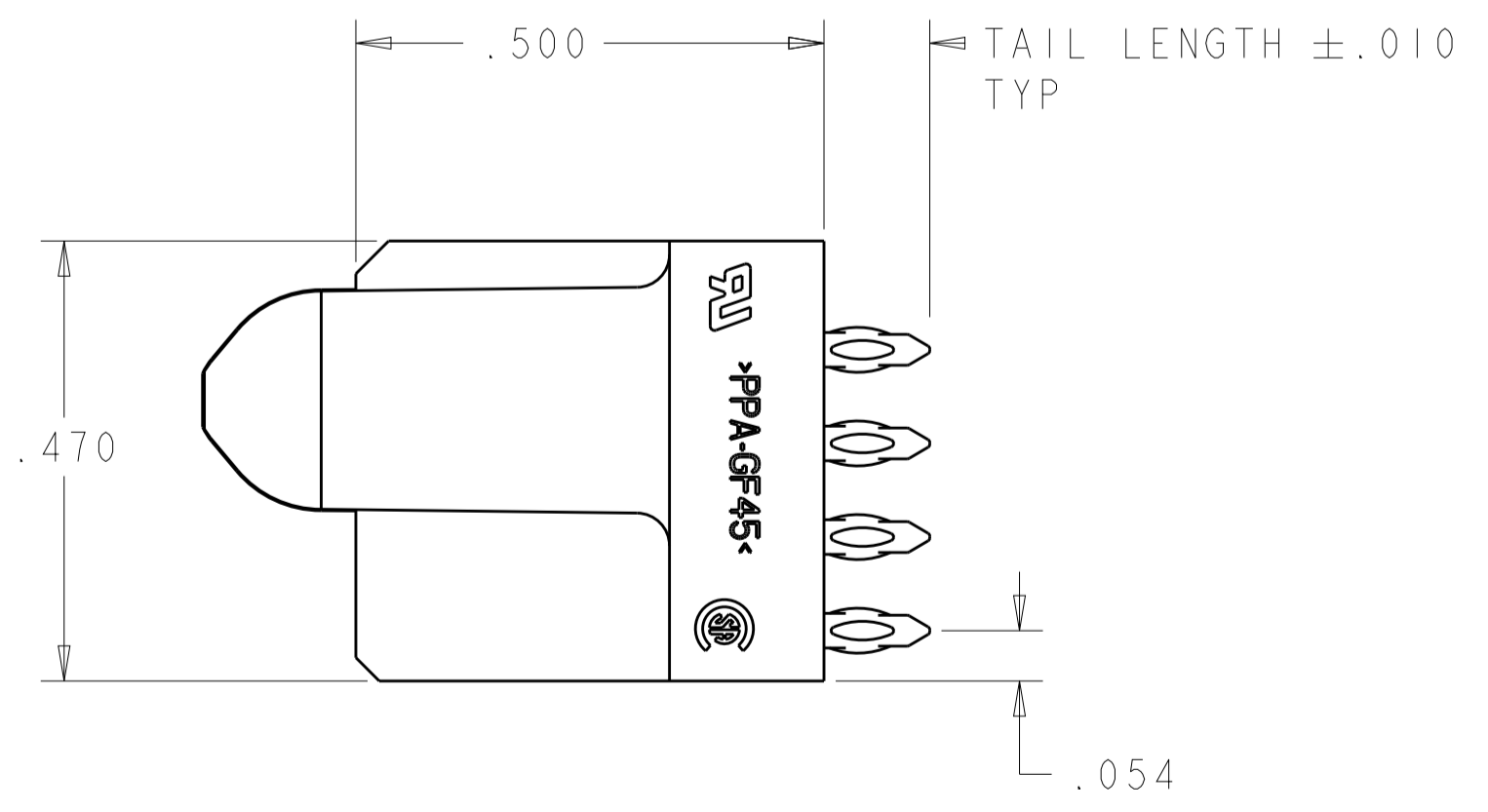
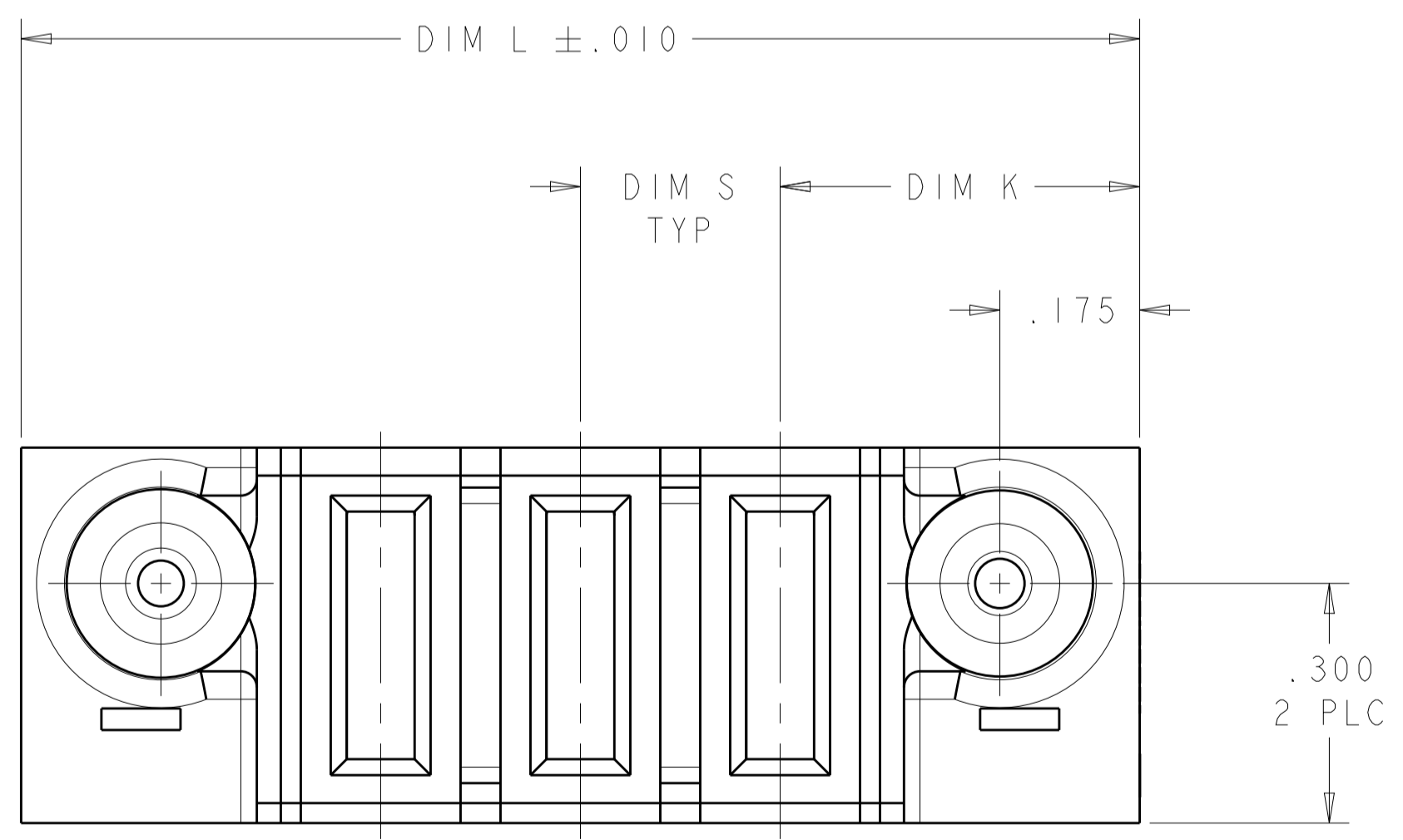
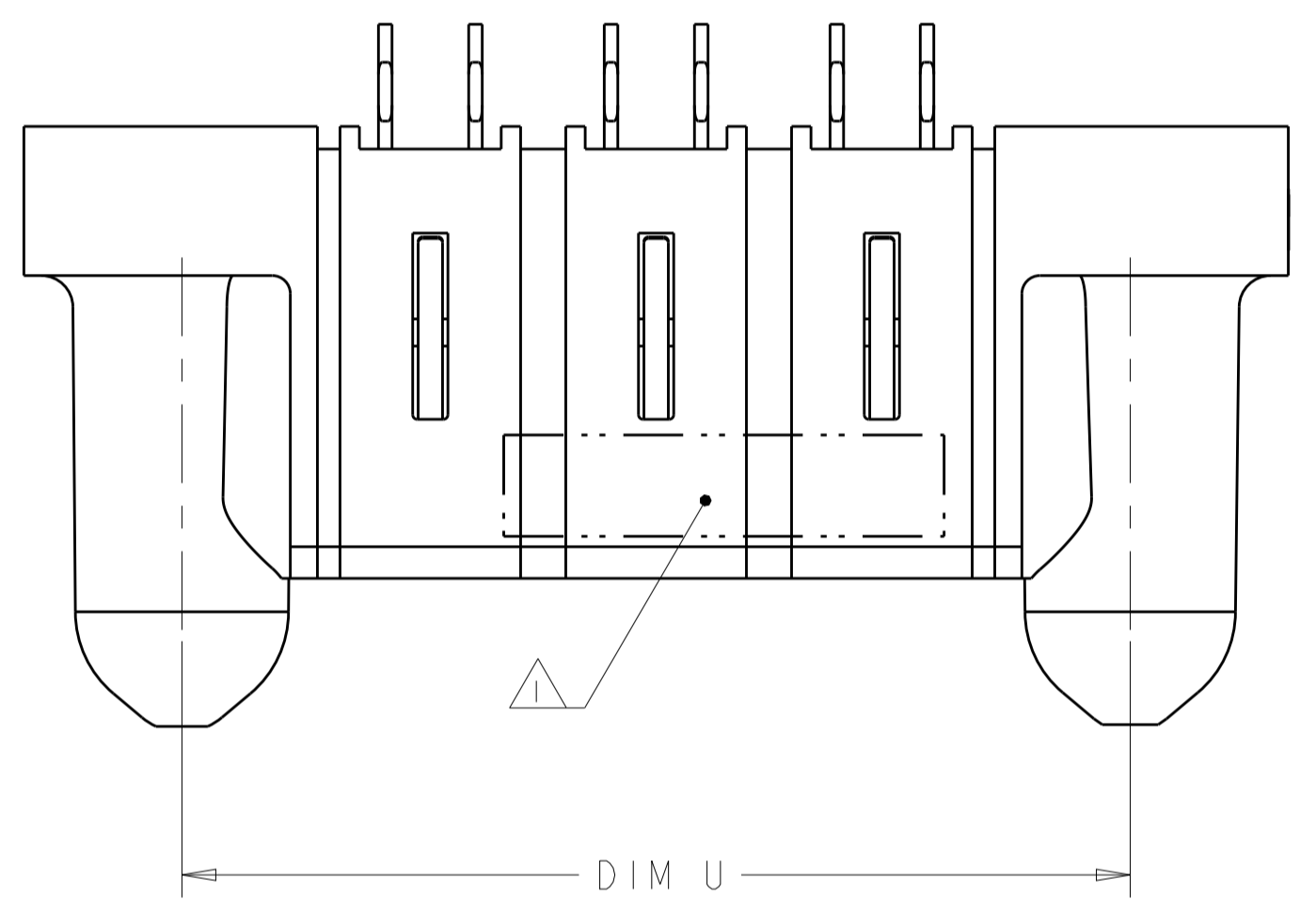


LOC	DIST	REVISIONS			
P	LTH	DESCRIPTION	DATE	DWN	APVD
C5		ADD 1-6450543-3	07MAR2012	OL	SZ



- 1 "AMP", PART NUMBER AND DATE CODE TO BE MARKED IN AREA SHOWN  
PARTS 2.00 OR LESS MAYBE MARKED ON BOTH SIDES
- 2 MATERIAL: HOUSING - GLASS FILLED HIGH TEMP THERMO PLASTIC, UL94 V-0  
POWER CONTACT - HIGH CONDUCTIVITY COPPER ALLOY
- 3 CONTACT PLATING: NOBLE METAL PLATING ON CONTACT FUNCTIONAL AREA OF POWER AND SIGNAL CONTACTS
- 4 MECHANICAL CONNECTOR KEEP OUT ZONE
- 5 DATUM AND BASIC DIMENSIONS ESTABLISHED BY CUSTOMER
- 6 PCB - ALL HOLE DIMENSIONS ARE FINISHED HOLE SIZES
- 7 PCB - .0453 ±.0010 DRILLED HOLES, PLATED WITH .0003 MIN Sn OVER  
.001 TO .003 Cu PLATING TO ACHIEVE A .040 DIA HOLE
- 8 FOR DETAIL DIMENSION, PLEASE REFER TO TALBE.



DIM U	DIM D	DIM S	DIM L	DIM K	DESCRIPTION	PART NUMBER
2.300	2.350	.250	2.650	.450	3P	1-6450543-3
1.200	-	.300	1.550	.475	3ACP	1-6450543-2
5.550	5.600	.200	5.900	.450	26P	1-6450543-1
1.800	1.850	.250	2.150	.450	6P	1-6450543-0
1.800	1.850	.250	2.150	.450	6P	6450543-9
2.550	2.600	.250	2.900	.450	9P	6450543-8
2.150	2.200	.200	2.500	.450	9HDP	6450543-7
1.200	1.250	.300	1.550	.475	3ACP	6450543-6
1.300	1.350	.250	1.650	.450	4P	6450543-5
.800	-	.250	1.150	.450	2P	6450543-4
2.050	-	.250	2.400	.450	7P	6450543-3
1.300	-	.250	1.650	.450	4P	6450543-2
1.050	-	.250	1.400	.450	3P	6450543-1

DIMENSIONS: INCHES TOLERANCES UNLESS OTHERWISE SPECIFIED: 0 PLC ±.01 1 PLC ±.01 2 PLC ±.01 3 PLC ±.005 4 PLC ±.002 ANGLES ±.020		DWN: R. GRZYBOWSKI 17MAY05 CHK: M. PERCHERKE 17MAY05 APVD: M. PERCHERKE PRODUCT SPEC: 108-1973 APPLICATION SPEC: 114-13038 WEIGHT: - CUSTOMER DRAWING		Tyco Electronics Corporation Harrisburg, PA 17105-3608 NAME: VERTICAL RECEPTACLE ASSEMBLY WITH GUIDES MULTI-BEAM XL SIZE: A1 CAGE CODE: 00779 DRAWING NO: 6450543 SCALE: 1:1 SHEET: 1 OF 5 REV: C5	
--	--	---	--	--	--

LOC	DIST	REV	DATE	BY	APPV
GP	00				

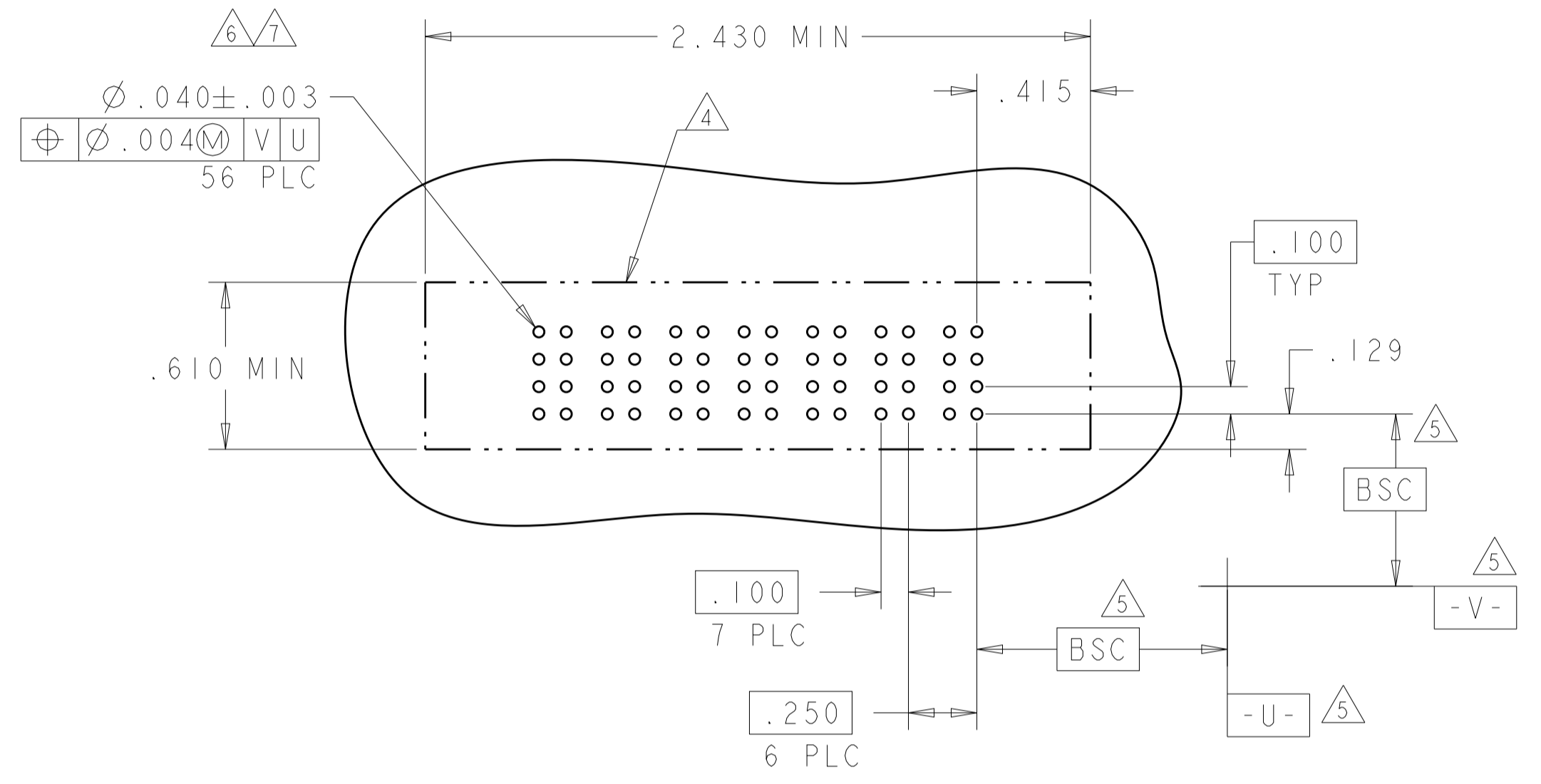
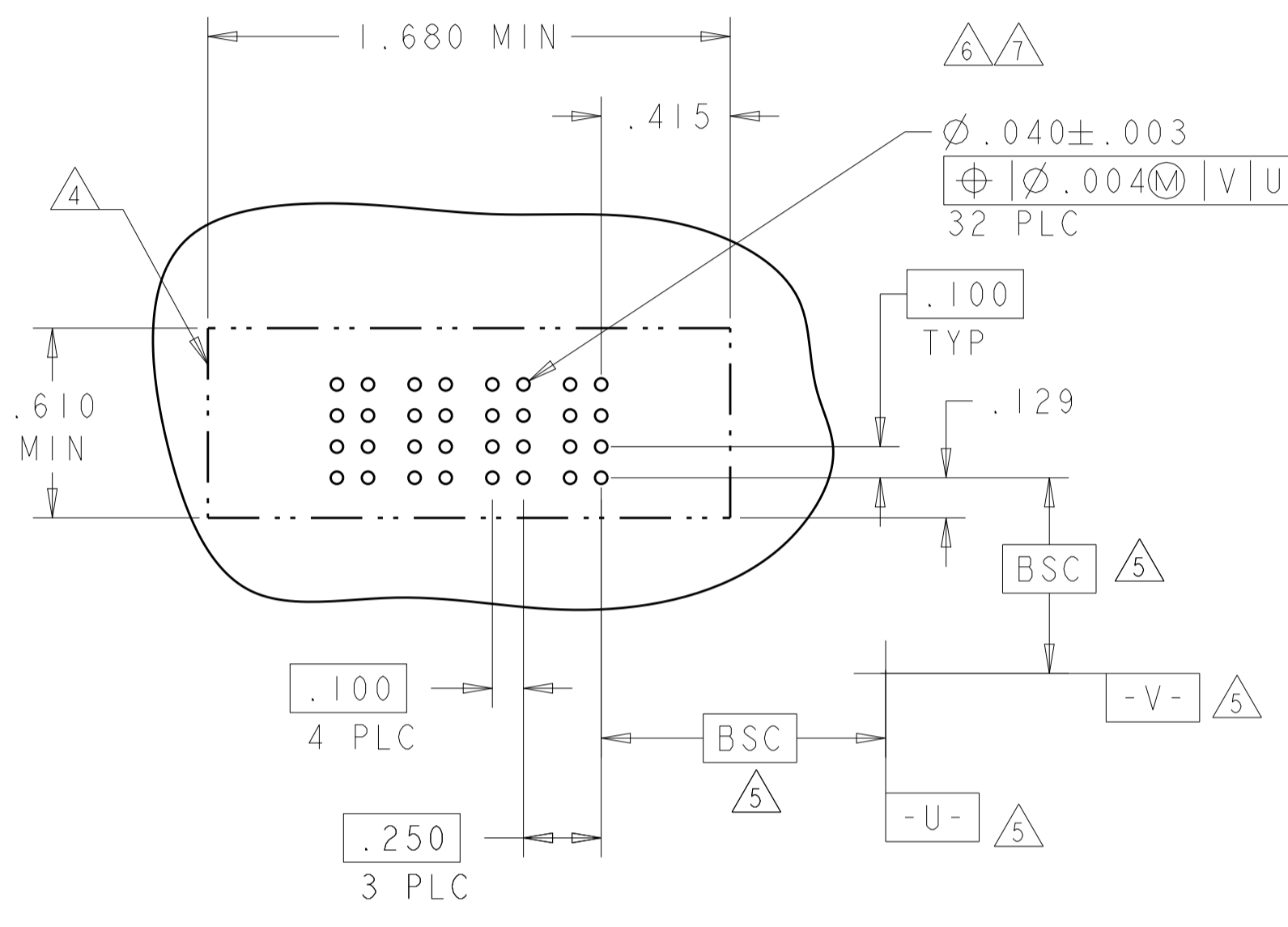
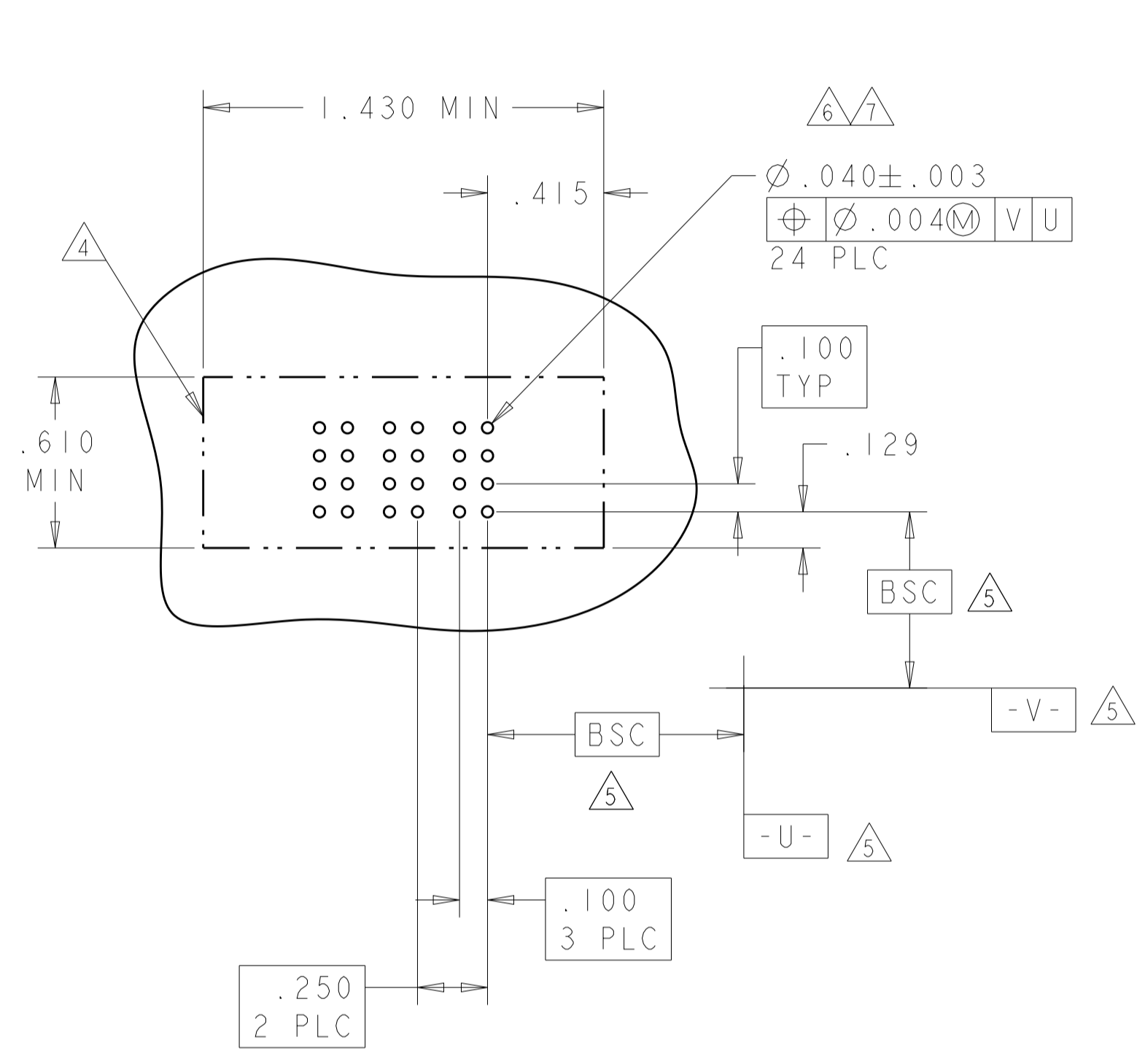
  

REVISIONS			
NO.	DESCRIPTION	DATE	BY
1	SEE SHEET 1		

PART NUMBER	ROWS	POWER			
		P3	P2	P1	
6450543-1	D C B A	GP	GP	GP	
3P					

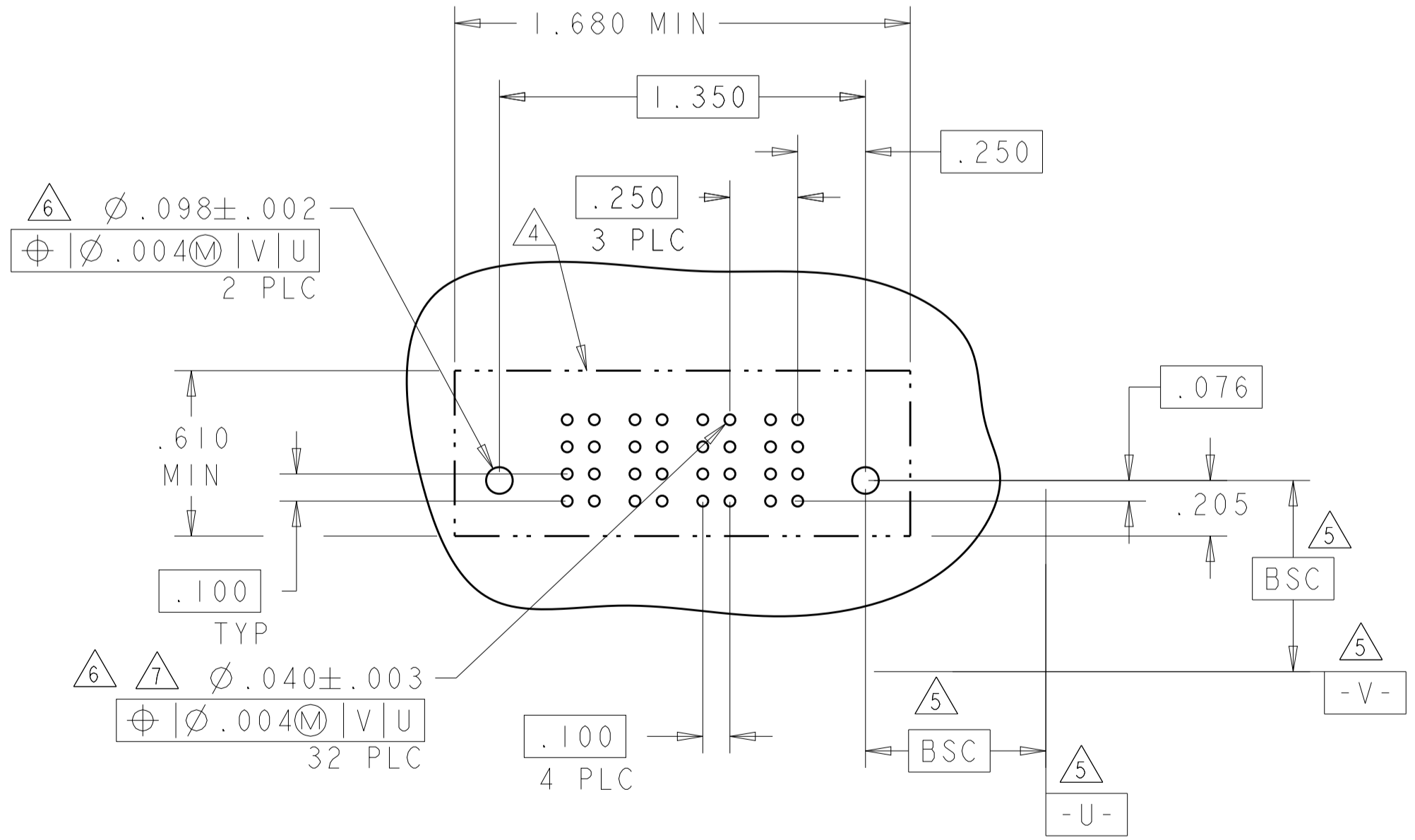
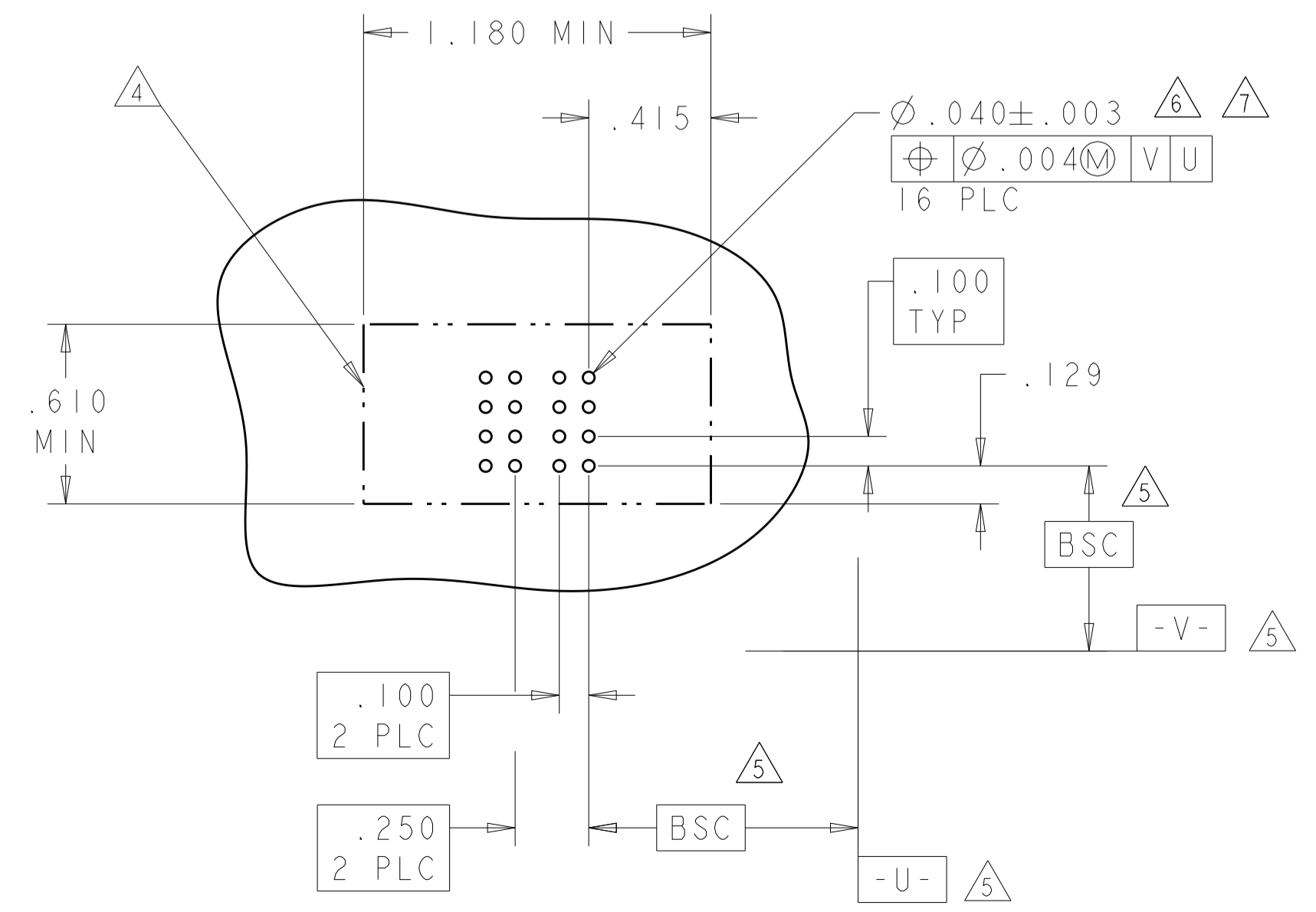
PART NUMBER	ROWS	POWER			
		P4	P3	P2	P1
6450543-2	D C B A	GP	GP	GP	GP
4P					

PART NUMBER	ROWS	POWER						
		P7	P6	P5	P4	P3	P2	P1
6450543-3	D C B A	GP	GP	GP	GP	GP	GP	GP
7P								



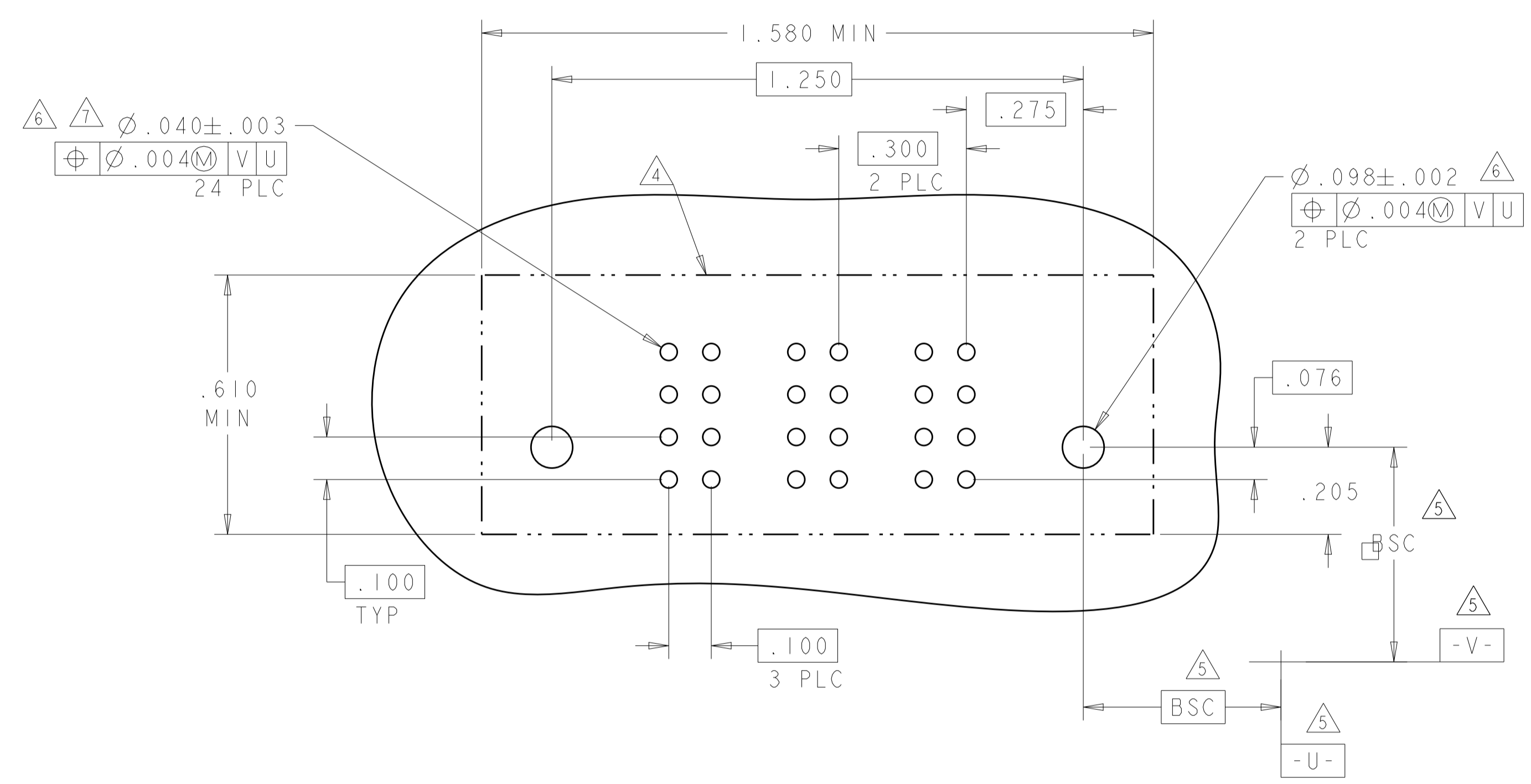
PART NUMBER	ROWS	POWER			
		P4	P3	P2	P1
6450543-5	D C B A	GP	GP	GP	GP
4P					

PART NUMBER	ROWS	POWER	
		P2	P1
6450543-4	D C B A	GP	GP
2P			

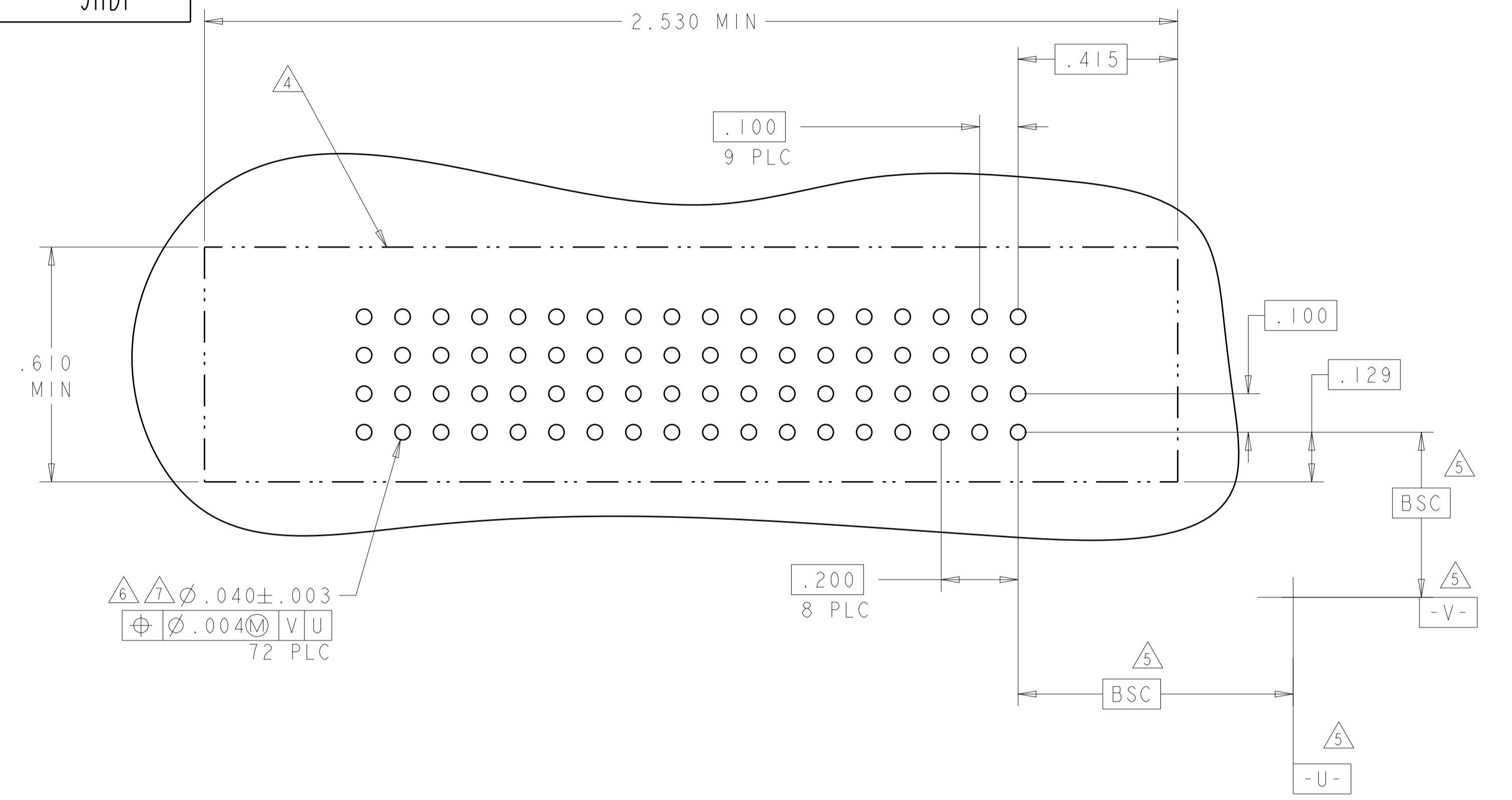


DIMENSIONS: INCHES		TOLERANCES UNLESS OTHERWISE SPECIFIED:		DWN: R. GRZYBOWSKI 17MAY05 CHK: M. PERCHERKE 17MAY05		Tyco Electronics Corporation Harrisburg, PA 17105-3608	
		0 PLC ±.01	1-4 PLC ±.005	NAME: VERTICAL RECEPTACLE ASSEMBLY WITH GUIDES MULTI-BEAM XL		RESTRICTED TO	
MATERIAL:		5 PLC ±.01	ANGLES ±.0020	PRODUCT SPEC: 108-1973		SIZE: A	
FINISH:		WEIGHT:		APPLICATION SPEC: 114-13038		CAGE CODE: 00779	
CUSTOMER DRAWING		SCALE: 1:1		DRAWING NO: 6450543		SHEET 2 OF 5	

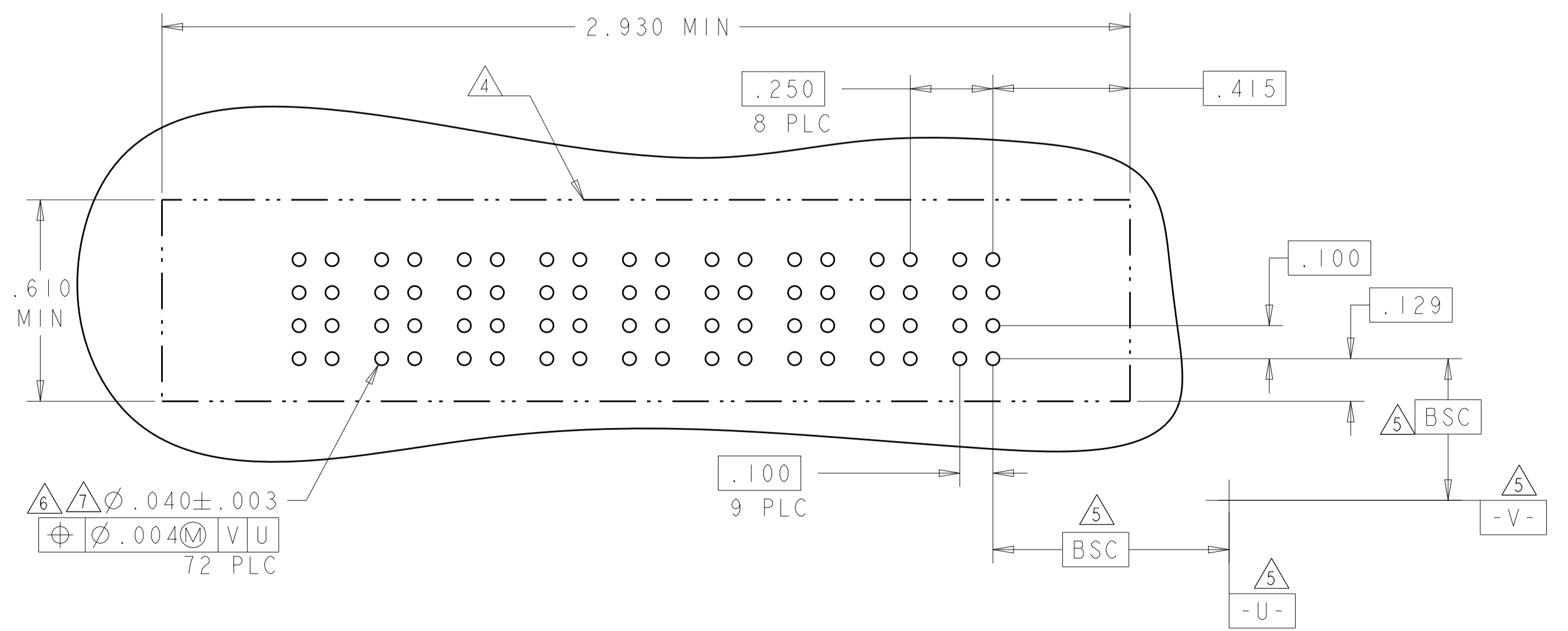
PART NUMBER	ROWS	POWER		
		P3	P2	P1
6450543-6	DCBA	GS	GS	GS
3ACP		HD		HD



PART NUMBER	ROWS	POWER								
		P9	P8	P7	P6	P5	P4	P3	P2	P1
6450543-7	DCBA	HS	HS	HS	HS	HS	HS	HS	HS	HS
9HDP										

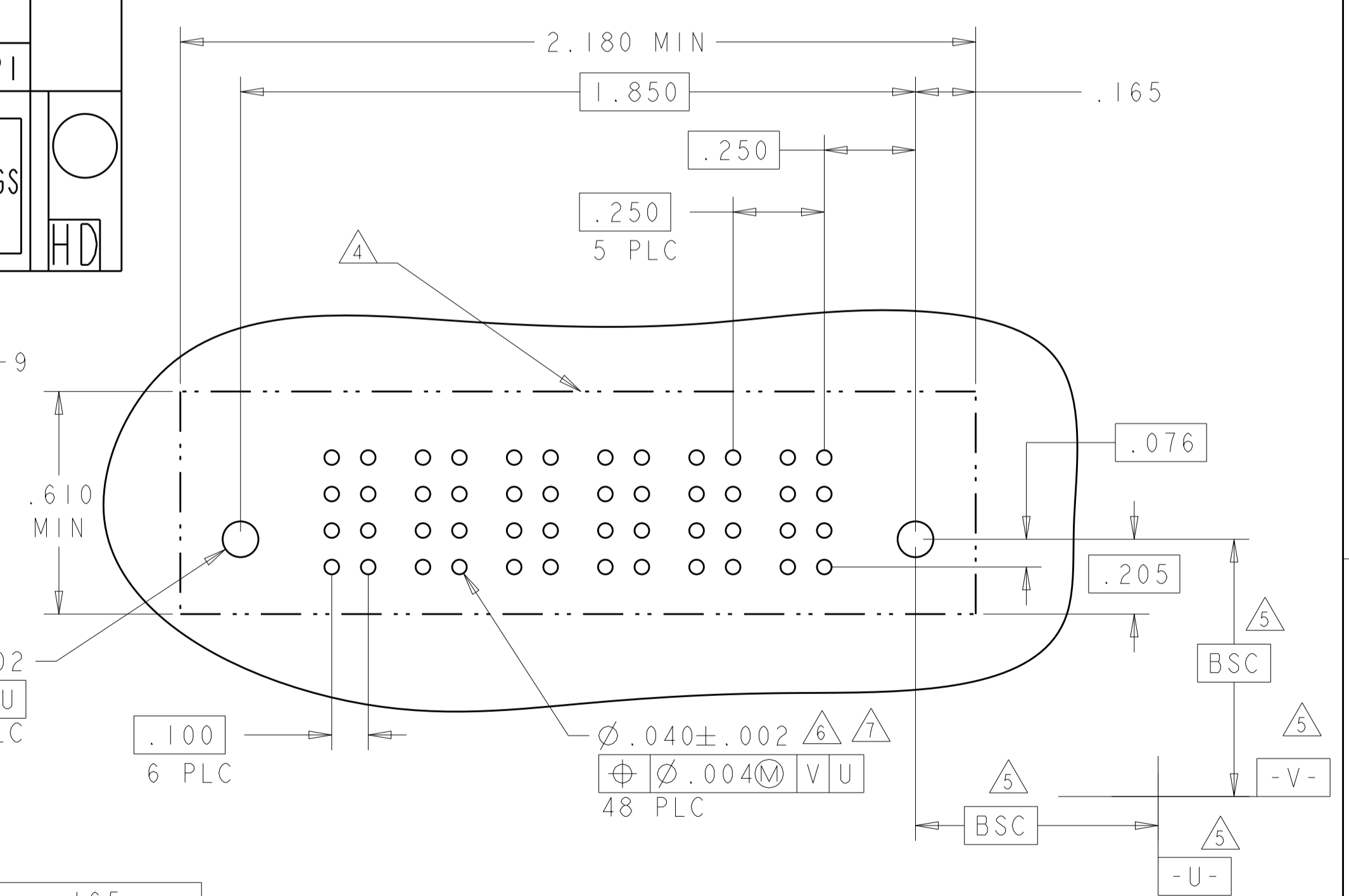


PART NUMBER	ROWS	POWER								
		P9	P8	P7	P6	P5	P4	P3	P2	P1
6450543-8	DCBA	GS	GS	GS	GS	GS	GS	GS	GS	GS
9P										



PART NUMBER	ROWS	POWER					
		P6	P5	P4	P3	P2	P1
6450543-9	DCBA	GS	GS	GS	GS	GS	GS
6P		HD					HD

THE PCB LAYOUT IS FOR P/N 6450543-9  
ADN 6450543-10.



HS	STD	.165
GS	STD	.135
GP	MFBL	.135
VS	STD	.115
VP	MFBL	.115
CODE	PRESS FIT	TAIL LENGTH
POWER CONTACT		

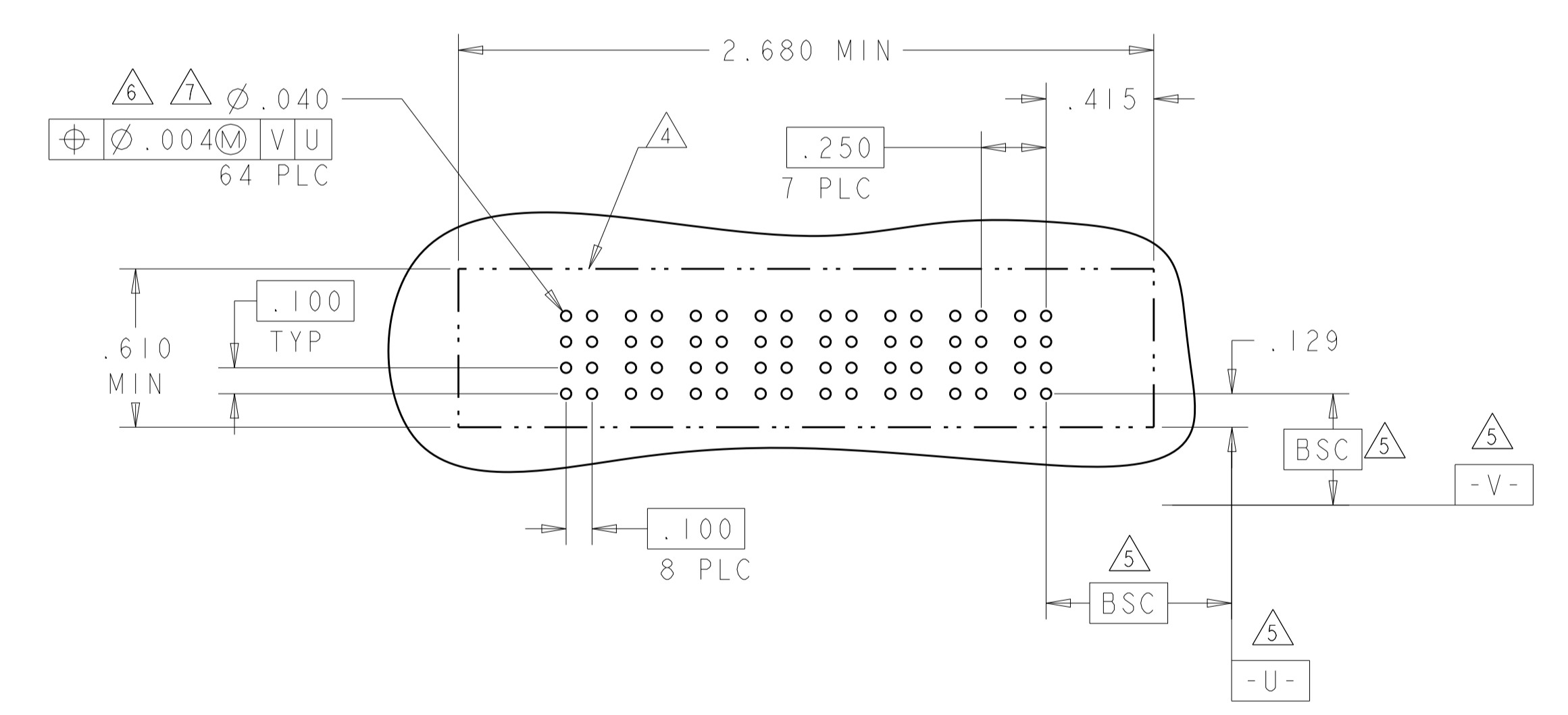
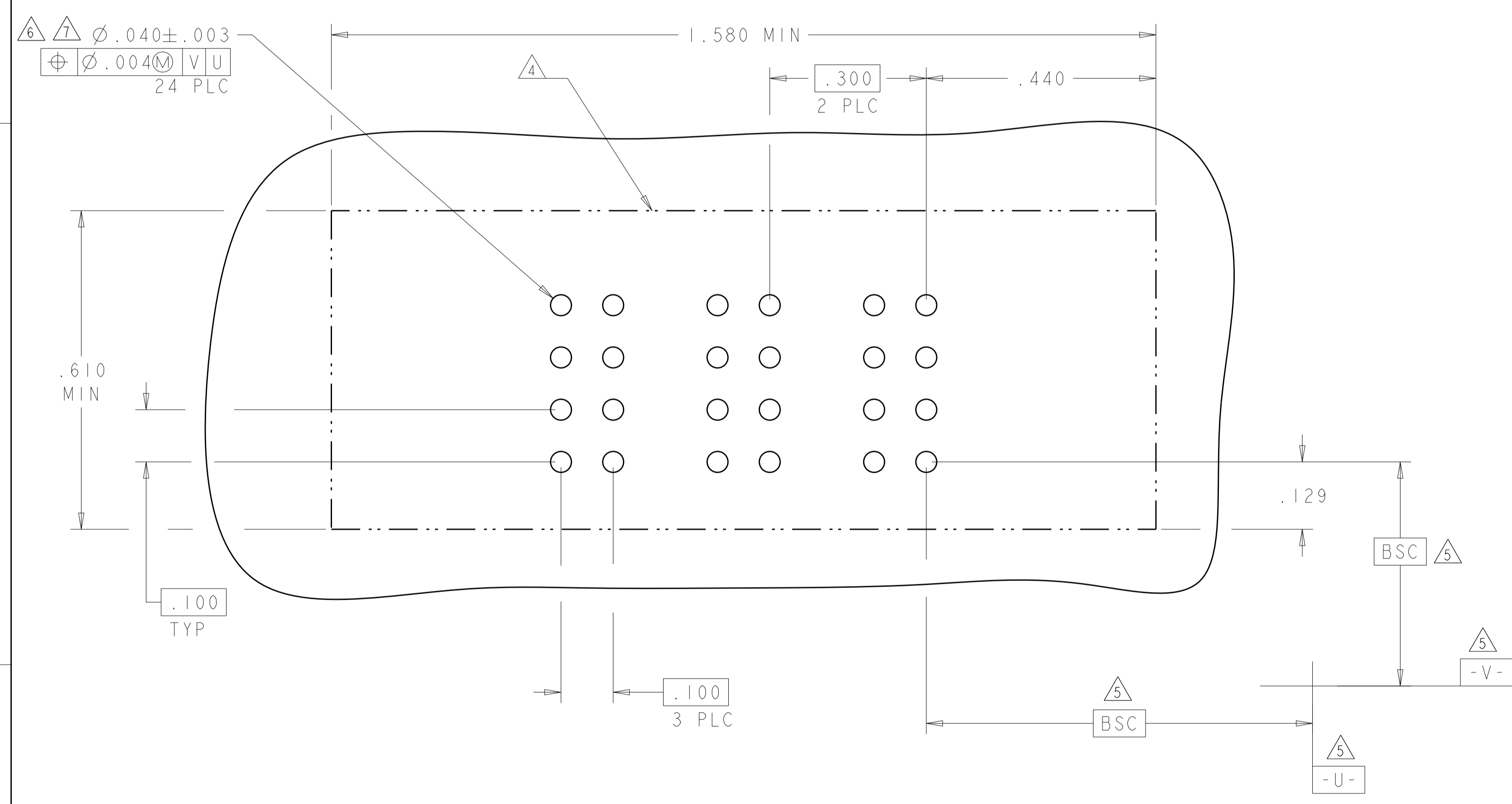
DIMENSIONS: INCHES		TOLERANCES UNLESS OTHERWISE SPECIFIED:		DWN: R. GRZYBOWSKI 17MAY05		Tyco Electronics Corporation Harrisburg, PA 17105-3608	
0 PLC ±.01		1 PLC ±.01		CHK: M. PERCHERKE 17MAY05		NAME: VERTICAL RECEPTACLE ASSEMBLY WITH GUIDES MULTI-BEAM XL	
2 PLC ±.005		3 PLC ±.005		APVD: M. PERCHERKE		PRODUCT SPEC: 108-1973	
4 PLC ±.002		ANGLES ±.002		APPLICATION SPEC: 114-13038		SIZE: CAGE CODE: DRAWING NO: 00779	
MATERIAL: .		FINISH: .		WEIGHT: .		RESTRICTED TO: .	
CUSTOMER DRAWING				SCALE: 1:1		SHEET 3 OF 5	



LOC	DIST	REVISIONS			
P	LTN	DESCRIPTION	DATE	DWN	APVD
-	-	SEE SHEET 1	-	-	-

PART NUMBER	ROWS	POWER		
		P3	P2	P1
1-6450543-2	D C B A	GS	GS	GS
3ACP				

PART NUMBER	ROWS	POWER							
		P8	P7	P6	P5	P4	P3	P2	P1
1-6450543-3	D C B A	GS	GS	GS	GS	GS	GS	GS	GS
8P									



<small>THIS DRAWING IS UNPUBLISHED. RELEASED FOR PUBLICATION BY TYCO ELECTRONICS CORPORATION. ALL RIGHTS RESERVED.</small>		DWN: R. GRZYBOWSKI 17MAY05 CHK: M. PERCHERKE 17MAY05 APVD: M. PERCHERKE	Tyco Electronics Corporation Harrisburg, PA 17105-3608
DIMENSIONS: INCHES	TOLERANCES UNLESS OTHERWISE SPECIFIED: 0 PLC ±. 1 PLC ±.01 2 PLC ±.01 3 PLC ±.005 4 PLC ±.0020 ANGLES ±.7°	NAME: VERTICAL RECEPTACLE ASSEMBLY WITH GUIDES MULTI-BEAM XL PRODUCT SPEC: 108-1973 APPLICATION SPEC: 114-13038 WEIGHT: - MATERIAL: - FINISH: -	SIZE: A CAGE CODE: 00779 DRAWING NO: 6450543 SCALE: 1:1 SHEET: 5 OF 5 REV: C5
MATERIAL: - FINISH: -		CUSTOMER DRAWING	RESTRICTED TO: -

# Mouser Electronics

Authorized Distributor

Click to View Pricing, Inventory, Delivery & Lifecycle Information:

[TE Connectivity:](#)

[6450543-3](#)