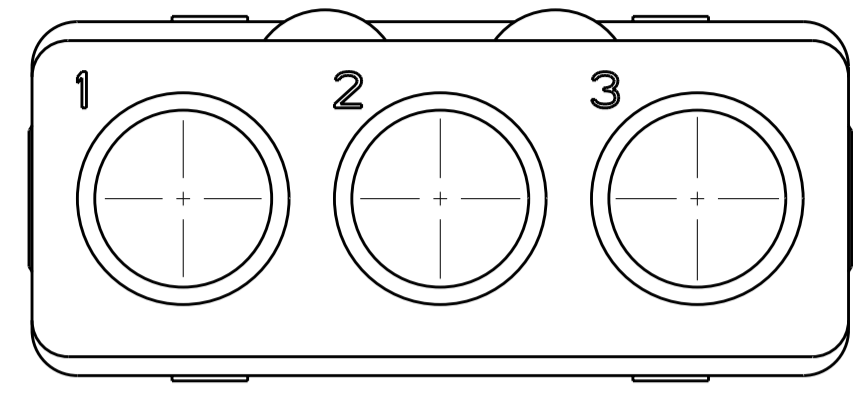
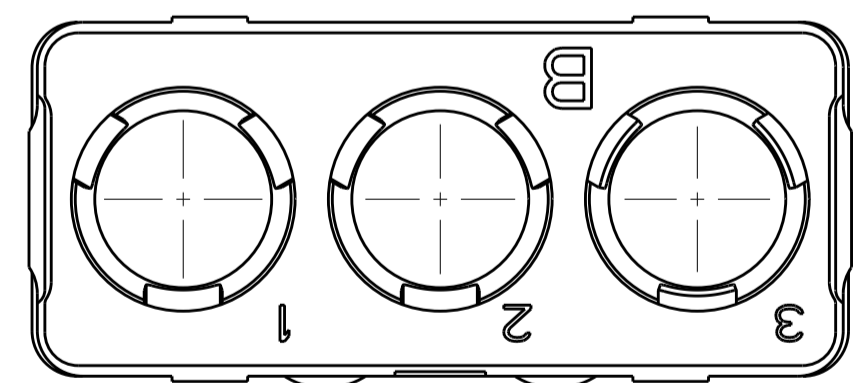
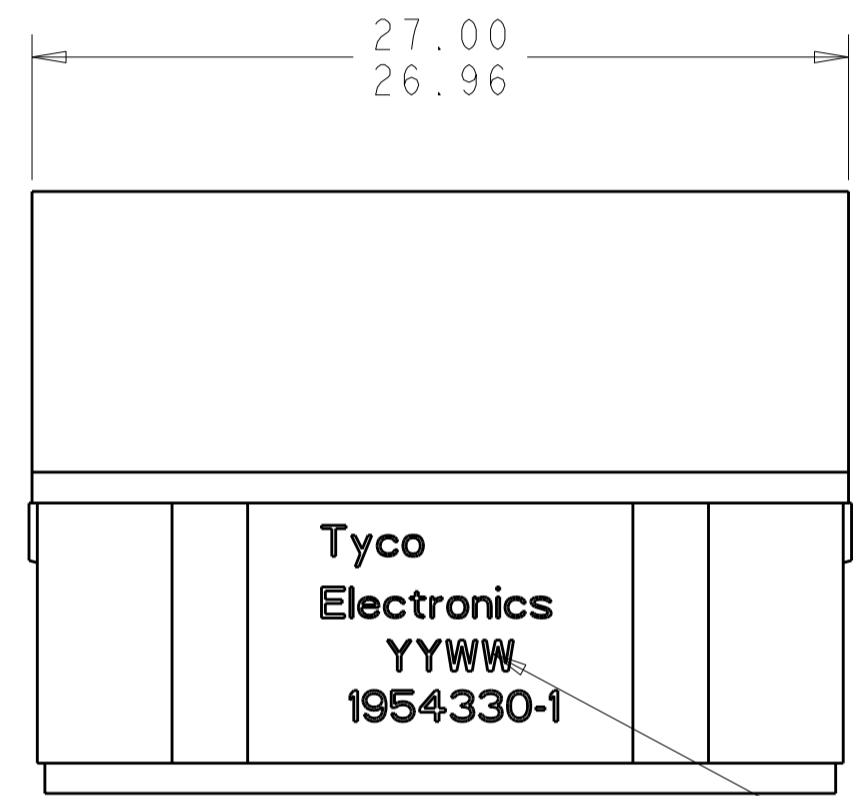
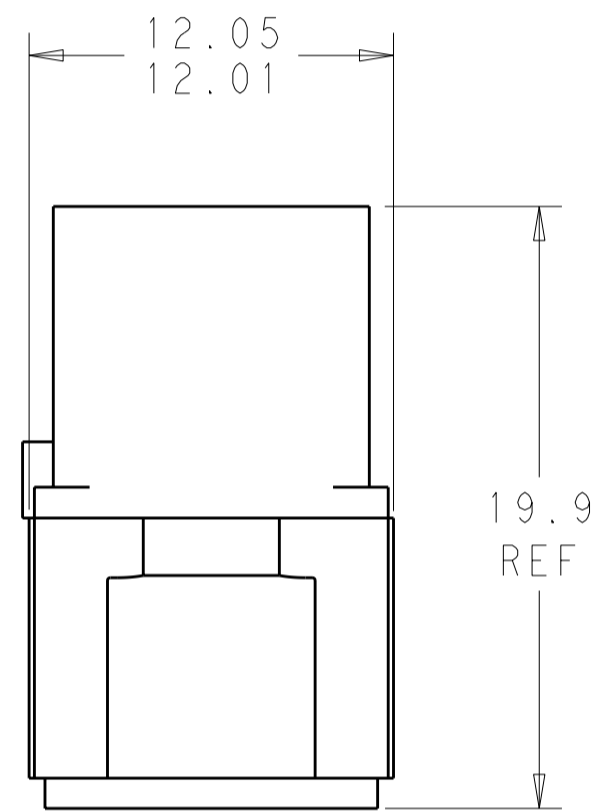


THIS DRAWING IS UNPUBLISHED. RELEASED FOR PUBLICATION 20
 © COPYRIGHT 20 BY TYCO ELECTRONICS CORPORATION. ALL INTERNATIONAL RIGHTS RESERVED.

| LOC | | DIST | | REVISIONS | | | |
|-----|-----|-----------------|-----------|-----------|------|--|--|
| P | LTR | DESCRIPTION | DATE | DWN | APVD | | |
| | A | INITIAL RELEASE | 20OCT2010 | CCT | K.H | | |
| | | | | | | | |
| | | | | | | | |



MATING FACE



① FRONT & REAR INSULATOR: HIGH-TEMP THERMOPLASTIC OR THERMOSET EPOXY PER ASTM D5948.
 CONTACT RETENTION CLIPS: STAINLESS STEEL PER AISI 302 OR COPPER ALLOY PER ASTM B194

② DATE CODE: YEAR & WEEK (YY WW)

3. DESCRIPTIVE PART NUMBER GPRBNP3SB
 THIS INSERT CONTAINS: 3 CAVITIES FOR SIZE 5 SOCKET POWER CONTACTS

4. THIS PRODUCT IS SOLD BY TYCO ELECTRONICS UNDER A LICENSE FROM RADIAL SA.

1954330-1
 PART NUMBER

| | | | |
|--|---|---|---|
| <small>THIS DRAWING IS A CONTROLLED DOCUMENT FOR TYCO ELECTRONICS CORPORATION. IT IS SUBJECT TO CHANGE AND THE CONTROLLING ENGINEERING ORGANIZATION SHOULD BE CONTACTED FOR THE LATEST REVISION.</small> | | DWN: CC THOMAS 20OCT2010 CHK: K HOGAN 20OCT2010 APVD: K HOGAN 20OCT2010 | Tyco Electronics Tyco Electronics Corporation Harrisburg, PA 17105-3608 |
| DIMENSIONS: mm | TOLERANCES UNLESS OTHERWISE SPECIFIED: 0 PLC ±- 1 PLC ±0.5 2 PLC ±0.13 3 PLC ±0.013 4 PLC ±0.0001 ANGLES ±- FINISH | PRODUCT SPEC APPLICATION SPEC WEIGHT | NAME: INSERT ASSEMBLY, SOCKET, NON-ENVIRONMENTAL ARRANGEMENT P3, KEY B, GPRB SIZE: A2 CAGE CODE: 00779 DRAWING NO: 1954330 RESTRICTED TO: - |
| MATERIAL: - | | CUSTOMER DRAWING | SCALE: 3:1 SHEET: 1 OF 1 REV: A |

Mouser Electronics

Authorized Distributor

Click to View Pricing, Inventory, Delivery & Lifecycle Information:

[TE Connectivity:](#)

[1954330-1](#)