

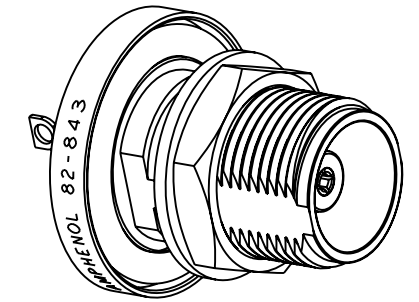
NOTES:

1. MATERIALS AND FINISHES:
  - HEX NUT - BRASS, SILVER PLATING
  - LOCK WASHER - BRASS, SILVER PLATING
  - BODY - BRASS, SILVER PLATING
  - CONTACT - BeCu, SILVER PLATING
  - INSULATOR - PTFE, NATURAL
  - O-RING - SILICONE RUBBER, RED
  - TERMINAL - COMPRESSION TYPE GLASS & INCONEL
2. ELECTRICAL:
  - A. IMPEDANCE: 50 OHM
  - B. FREQUENCY RANGE: 0-4 GHz
  - C. D.W.V: 500 VRMS.
3. PACKAGING:
  - A. QUANTITY: SINGLE PACK
  - B. MARKING: BAG TO BE MARKED "AMPHENOL RF, 82-843, AND DATE CODE"

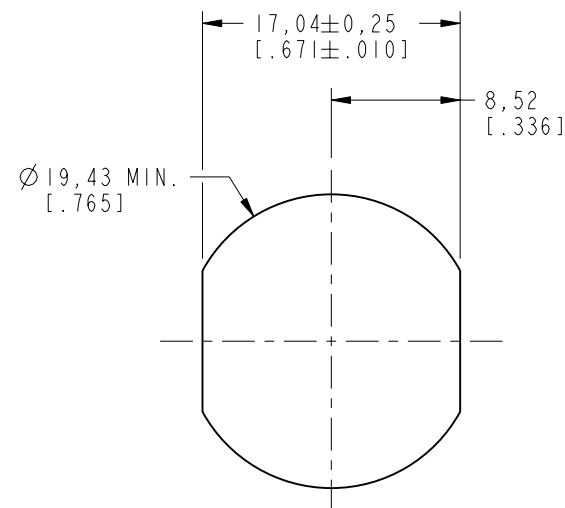
THIRD ANGLE PROJ.

REVISIONS

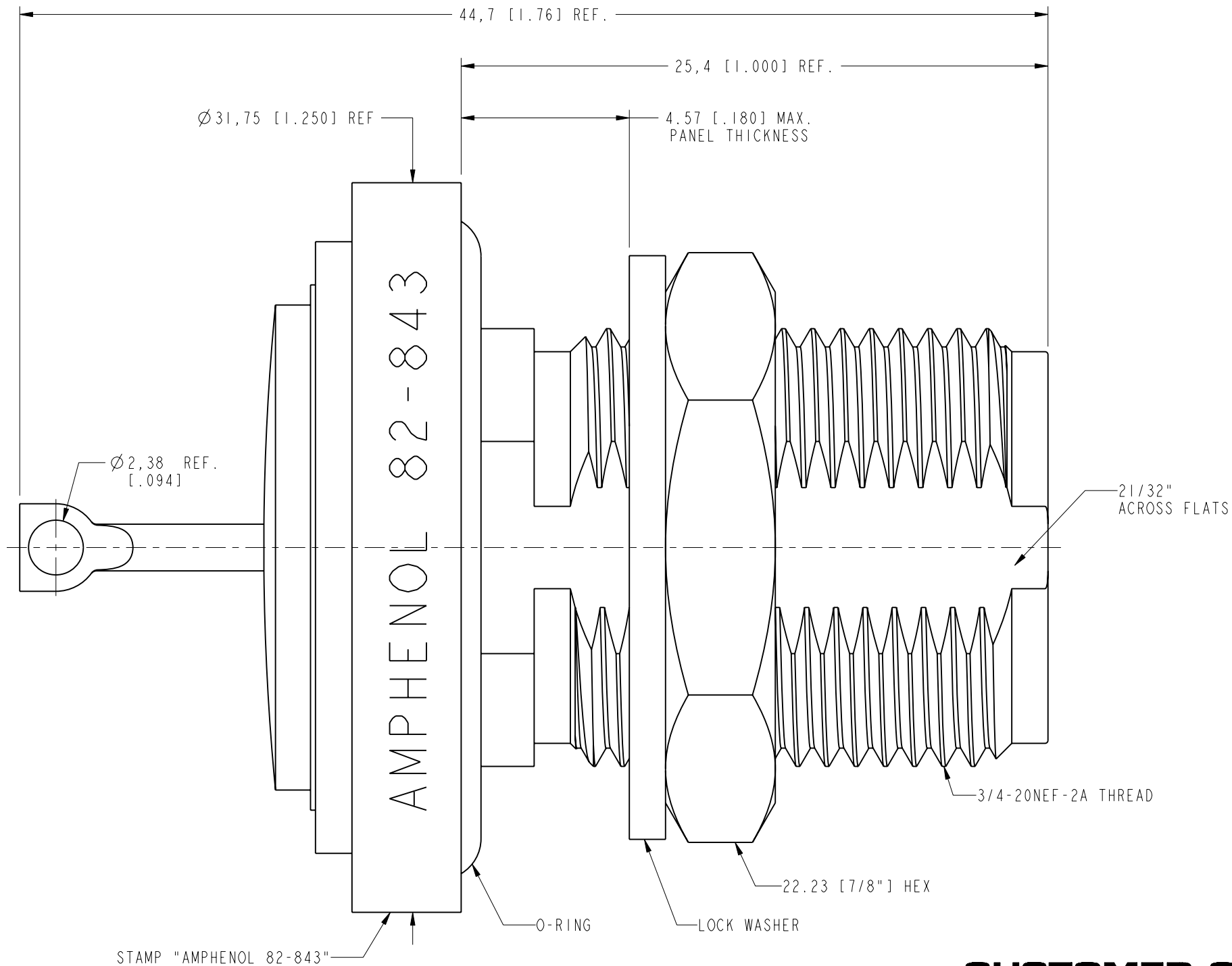
REV	DESCRIPTION	DATE	ECO	APPR
--	--	--	--	--
T	REDRAWN IN PRO-E	20-May-15	49786	SH



SCALE 1.200



**RECOMMENDED MOUNTING HOLE DIMENSIONS**  
SCALE 2:1



**CUSTOMER OUTLINE DRAWING**

ALL OTHER SHEETS ARE FOR INTERNAL USE ONLY

<p>UNLESS OTHERWISE SPECIFIED, DIMENSIONS ARE IN METRIC AND TOLERANCES ARE:                  &lt; 0.5mm ± 0.05mm    0.5 - 6mm ± 0.1mm    6 - 30mm ± 0.2mm    30 - 120mm ± 0.3mm    ANGLES ± 1°</p> <p>NOTICE - These drawings, specifications, or other data (1) are, and remain the property of Amphenol corp. (2) must be returned upon request; and (3) are confidential and not to be disclosed to any person other than those to whom they are given by Amphenol Corp. the furnishing of these drawings, specifications, or other data by Amphenol Corp., or to any other person to anyone for any purpose is not to be regarded by implication or otherwise in any manner licensing, granting rights to permitting such holder or any other person to manufacture, use or sell any product, process or design, patented or otherwise, that may in any way be related to or disclosed by said drawings, specifications, or other data.</p>	MATERIAL SEE NOTES	DRAWN M. ZHANG	DATE 20-May-15	TITLE HN RECEPTACLE HERMETIC SEAL INTERNALLY PRESSURIZED PANEL MOUNT EXTERNALLY	<p>Amphenol RF</p> <p>www.amphenolrf.com</p>
	REFERENCE	ENGINEER H. HUTTER	DATE 10-Jun-82		
	CONFIGURATION LEVEL: In Work	APPROVED S. HSIEH	DATE 20-May-15	SCALE: 4.5:1.0    SHEET 2 OF 2	ITEM NO. 82-843
	FINISH		CAD FILE	DWG SIZE B	REV T

# Mouser Electronics

Authorized Distributor

Click to View Pricing, Inventory, Delivery & Lifecycle Information:

[Amphenol:](#)

[82-843](#) [082-6316](#) [082-856-2050](#) [082-38](#) [082-816-1000](#) [082-843](#)