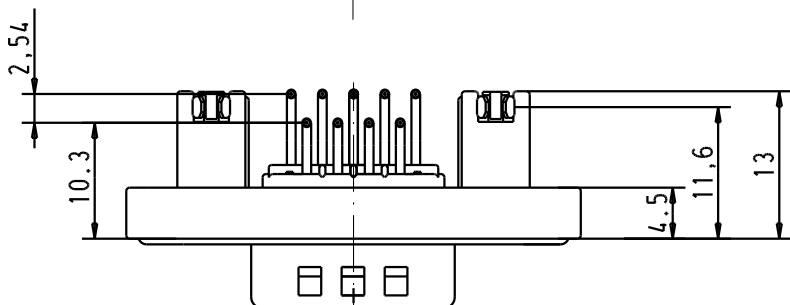
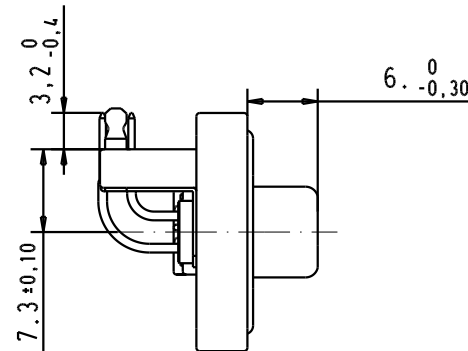
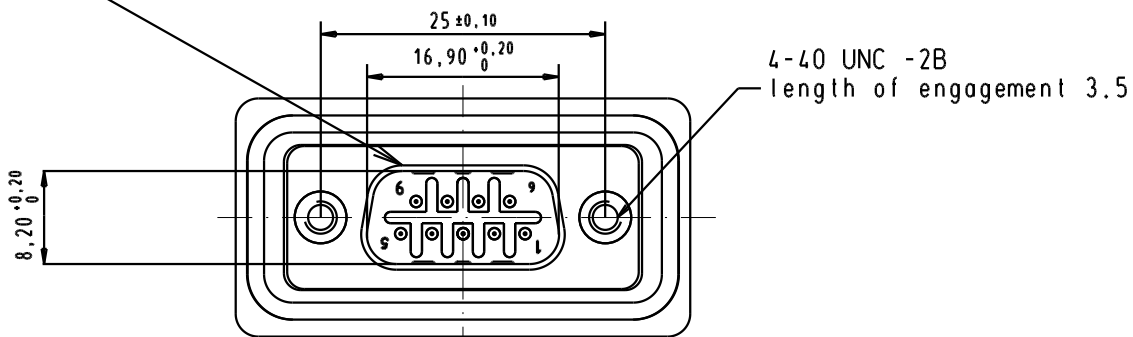
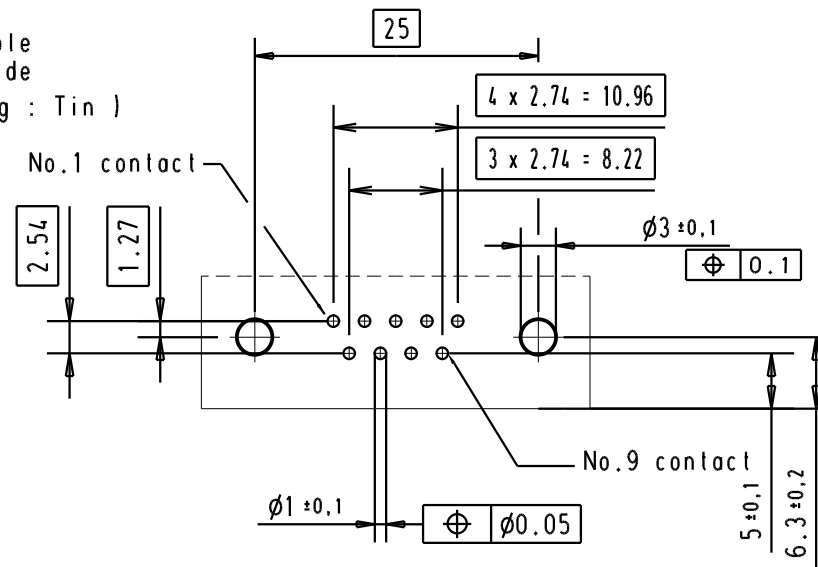
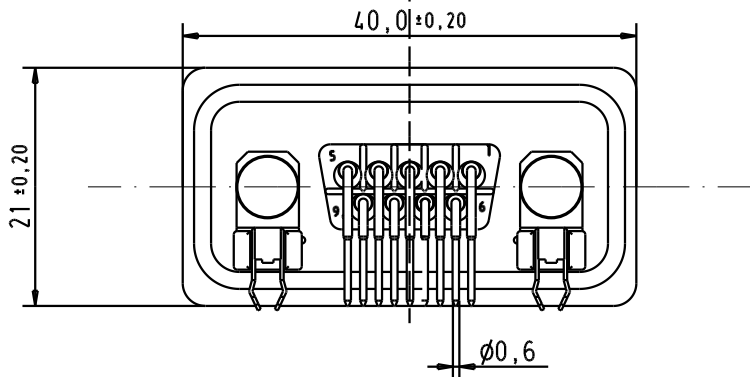


Mating face according to : MIL-C-24308 / DIN 41652 / CECC 75.01-802





1) Protection standard IP 67 according to IEC 529 / DIN 40050.

PCB layout hole component side  
 ( PCB holes plating : Tin )



09 67 509 7658	Au plating $0,76 \mu\text{m}$ mini
Part Number	Performance Level

				Dat.	Name	 All Dim. in mm Orig. Size DIN A 4
				Detail.	20/01/04 S.H.	
				Insp.		
				Stand.		
31587	20/01/04	S.H	HARTING ELEKTRONIK F-95972 Paris			
Mod.	Dat.	Name				

D-SUB IP67 male 09 Poles angled solder pin with bracket and clip for 1.6mm PCB 4-40 UNC nut	Moßstab/ Scale
TB 09 67 509 7658	Blatt / Page
Sub.	

# Mouser Electronics

Authorized Distributor

Click to View Pricing, Inventory, Delivery & Lifecycle Information:

[HARTING:](#)

[09675097658](#)