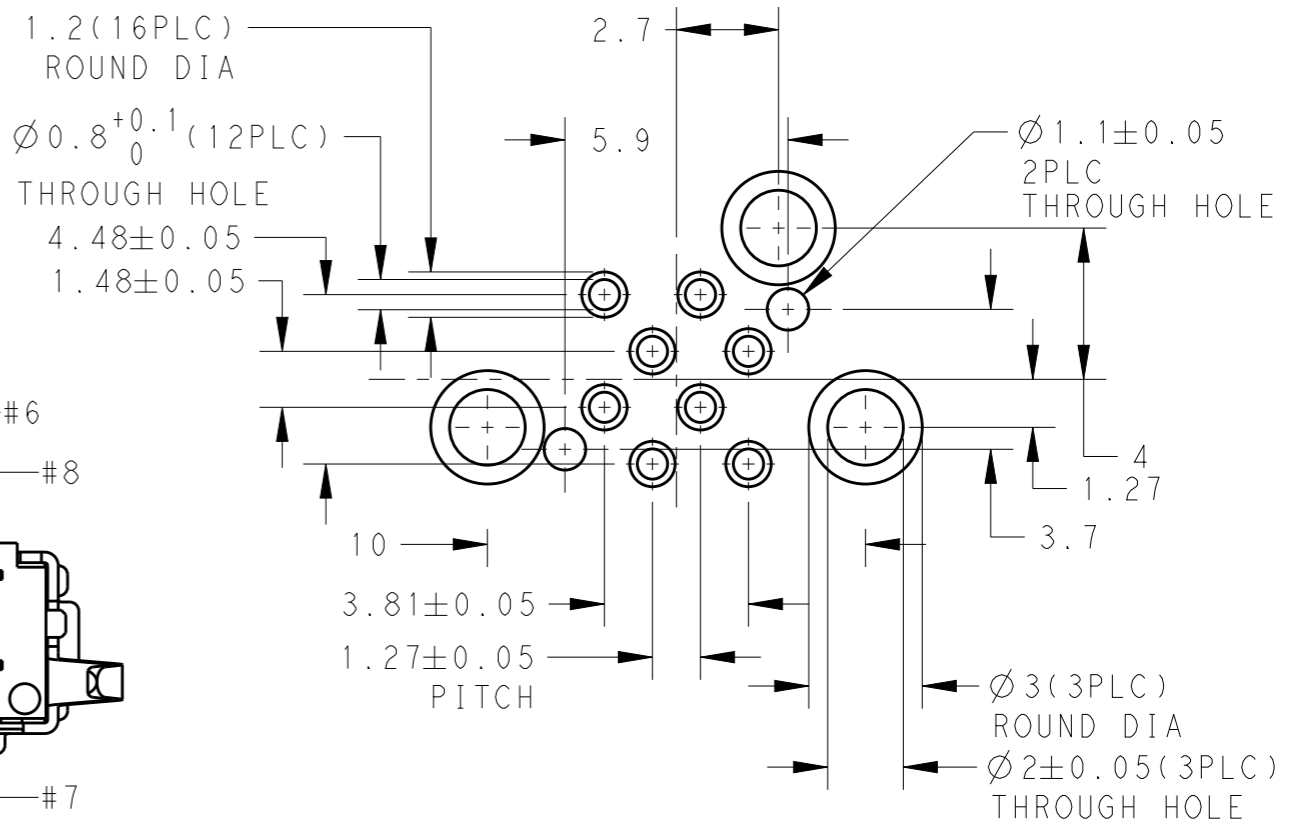
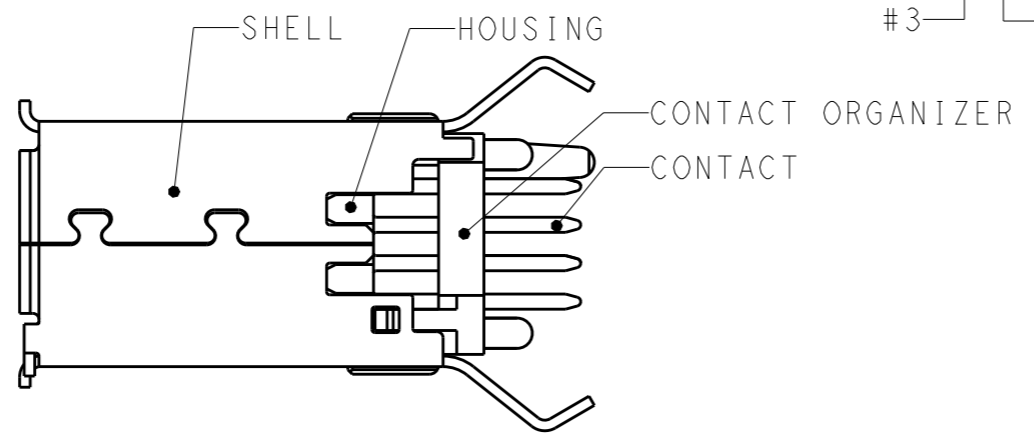
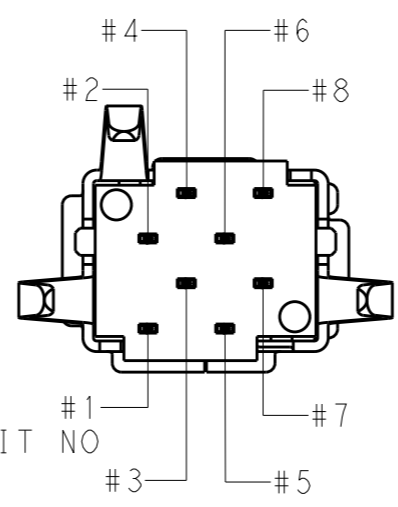
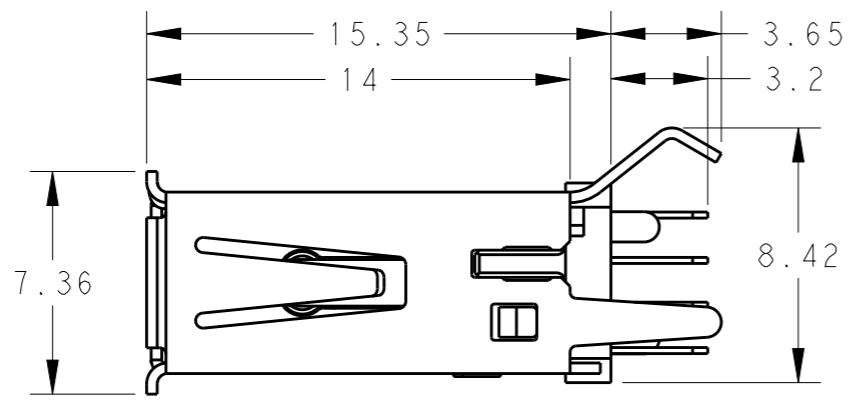
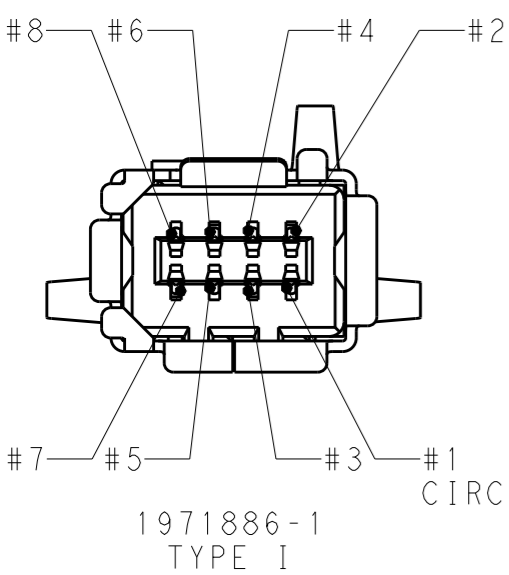
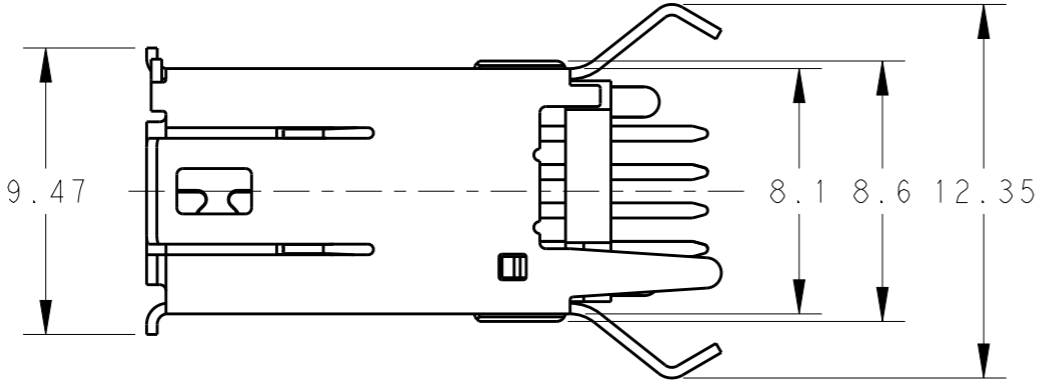
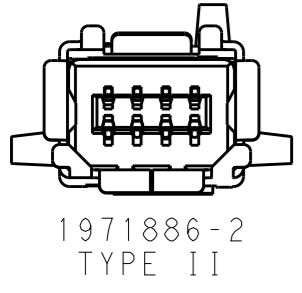


THIS DRAWING IS UNPUBLISHED. RELEASED FOR PUBLICATION 20  
 © COPYRIGHT 20 ALL RIGHTS RESERVED.

LOC		DIST		REVISIONS			
P	LTR	DESCRIPTION		DATE	DWN	APVD	
-	-	A	NEW RELEASE	08JAN2013	H.W.	P.Y.	



RECOMMENDED BOARD DIMENSION (CONNECTOR SIDE) +1.6  
 Scale 5:1

NOTES:  
 1. MATERIAL AND FINISH  
 CONTACT: COPPER ALLOY  
 UNDER ALL SURFACE NICKEL 1.27µm MIN.  
 TOP CONTACT AREA: GOLD 0.5µm MIN  
 SOLDERING AREA: TIN PLATE  
 HOUSING: THERMO PLASTIC(UL94V-0)  
 SHELL: COPPER ALLOY  
 UNDER ALL SURFACE NICKEL  
 TOP ALL SURFACE TIN

2. GENERAL TOL.: ±0.3; ±5°  
 3. PACKAGE: 60PCS PER TRAY FOR 1971886-1 & 1971886-2

POS	DESCRIPTION	PART NO
8	TYPE II THR RECEPTACLE	1971886-2
8	TYPE I THR RECEPTACLE	1971886-1

THIS DRAWING IS A CONTROLLED DOCUMENT.		DWN HAO WANG 08JAN2013	<b>STE</b> TE Connectivity											
DIMENSIONS: mm		CHK DAVID WANG 08JAN2013												
TOLERANCES UNLESS OTHERWISE SPECIFIED:		APVD PETER YIN 08JAN2013												
<table border="1"> <tr><td>0 PLC</td><td>±-</td></tr> <tr><td>1 PLC</td><td>±-</td></tr> <tr><td>2 PLC</td><td>±-</td></tr> <tr><td>3 PLC</td><td>±-</td></tr> <tr><td>4 PLC</td><td>±-</td></tr> <tr><td>ANGLES</td><td>±-</td></tr> </table>		0 PLC		±-	1 PLC	±-	2 PLC	±-	3 PLC	±-	4 PLC	±-	ANGLES	±-
0 PLC	±-													
1 PLC	±-													
2 PLC	±-													
3 PLC	±-													
4 PLC	±-													
ANGLES	±-													
MATERIAL -	FINISH -	PRODUCT SPEC 108-106087	SIZE A3											
WEIGHT -		APPLICATION SPEC -	CAGE CODE 00779											
CUSTOMER DRAWING		SCALE 1:1	DRAWING NO 1971886											
		SHEET 1 OF 1	RESTRICTED TO -											
		REV A												

# Mouser Electronics

Authorized Distributor

Click to View Pricing, Inventory, Delivery & Lifecycle Information:

[TE Connectivity:](#)

[1971886-2](#)