

LOC		DIST		REVISIONS			
GP	00	P	LTH	DESCRIPTION	DATE	DWN	APVD
		A1		REVISED PER ECO-09-021480	08OCT2009	CR	DG

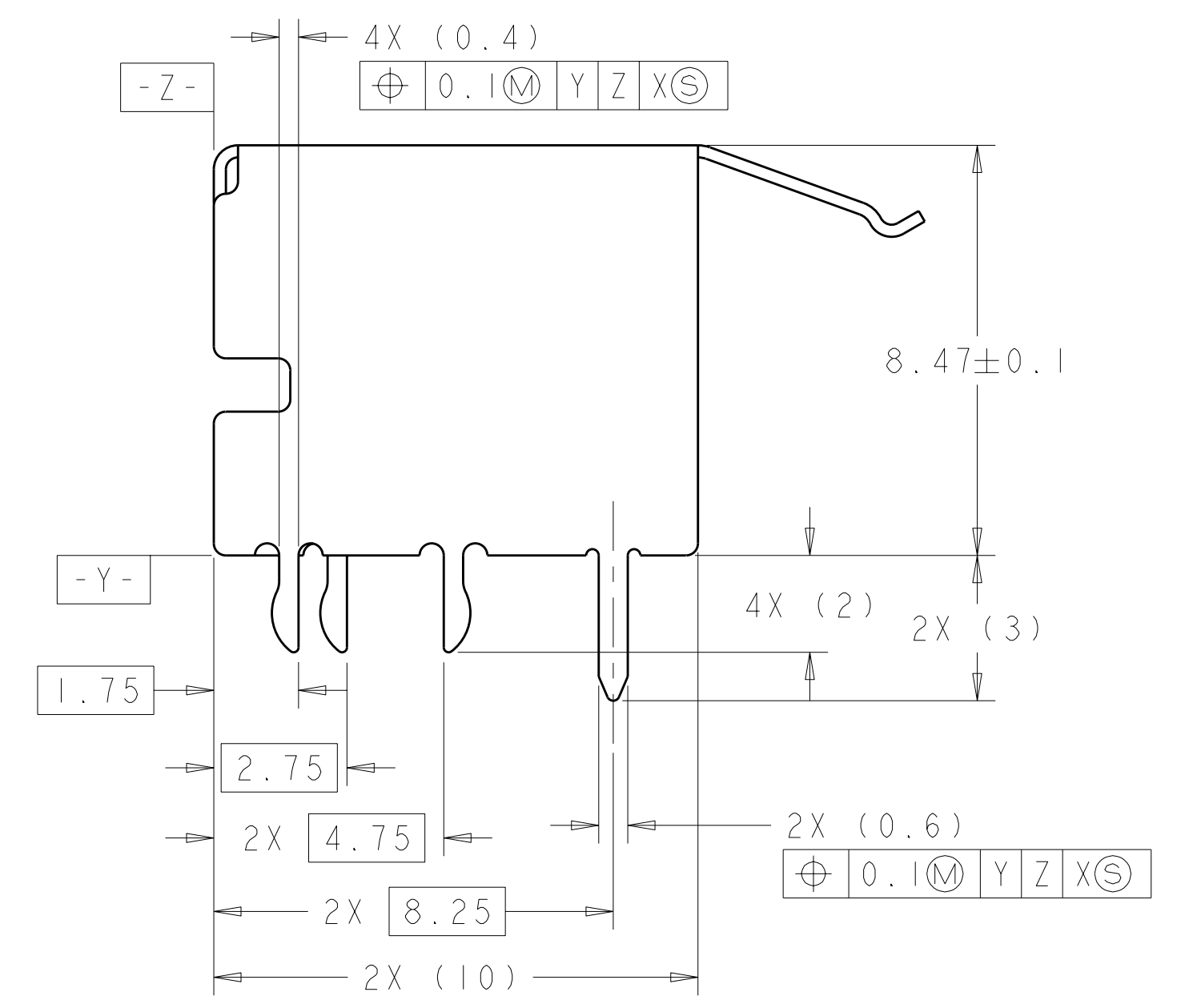
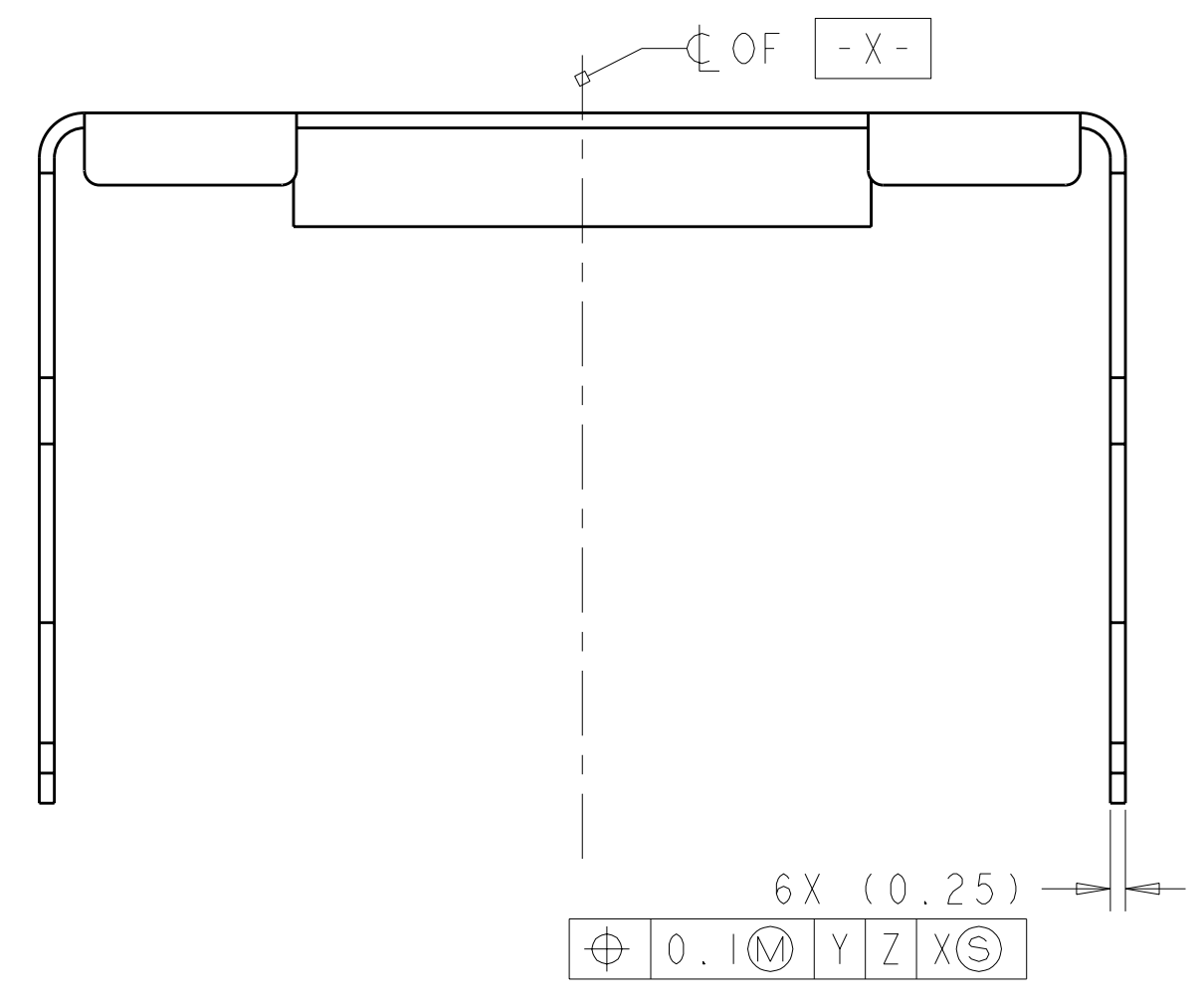
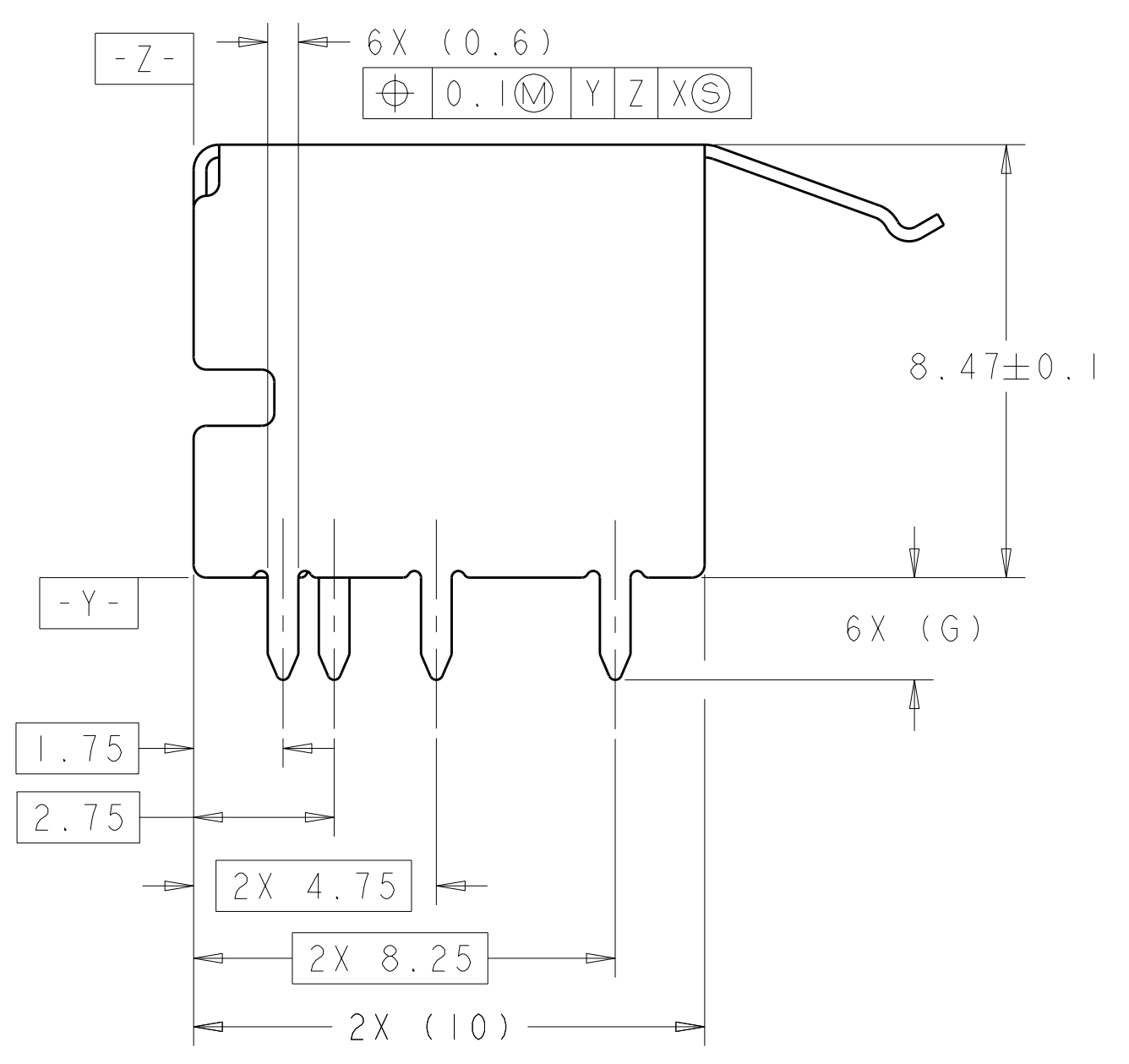
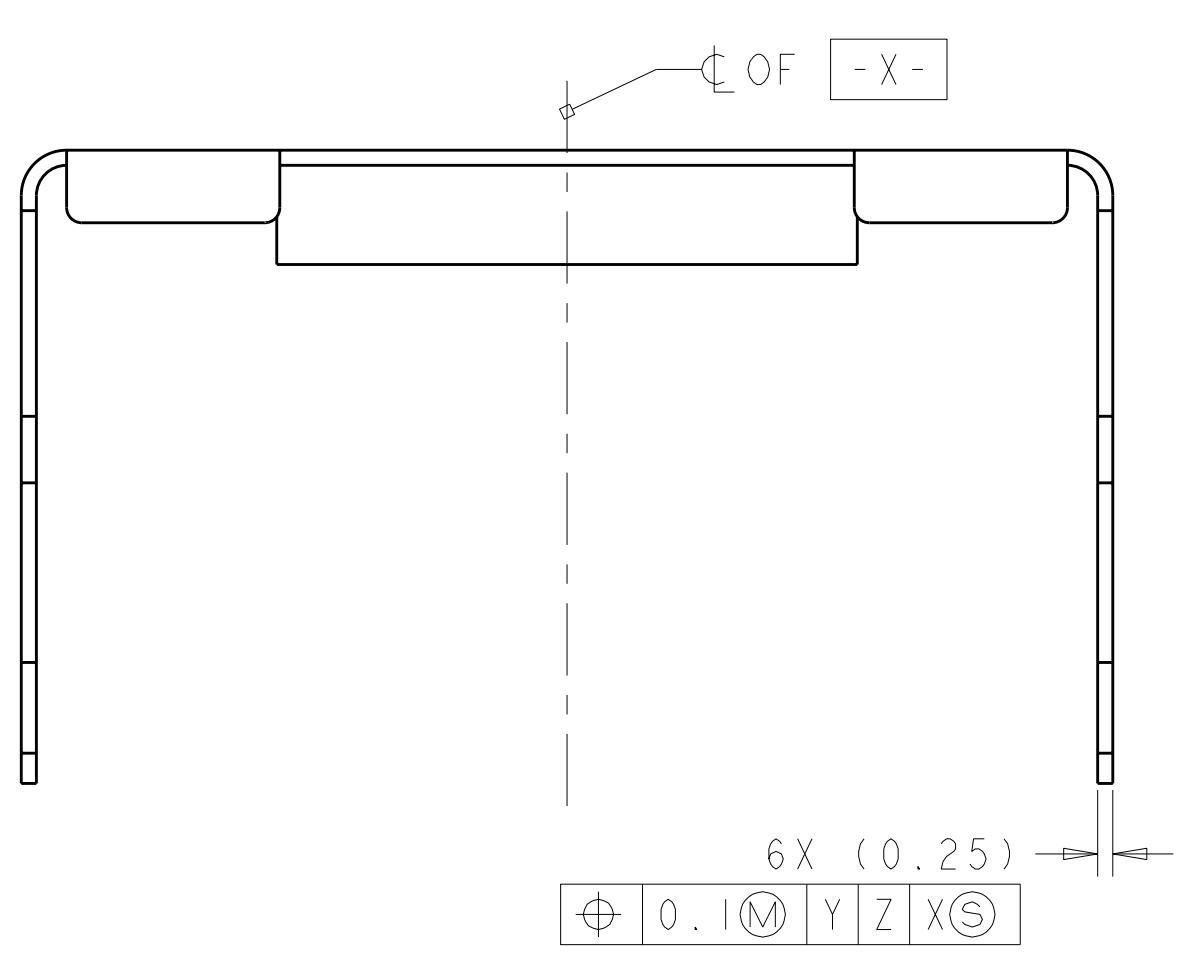
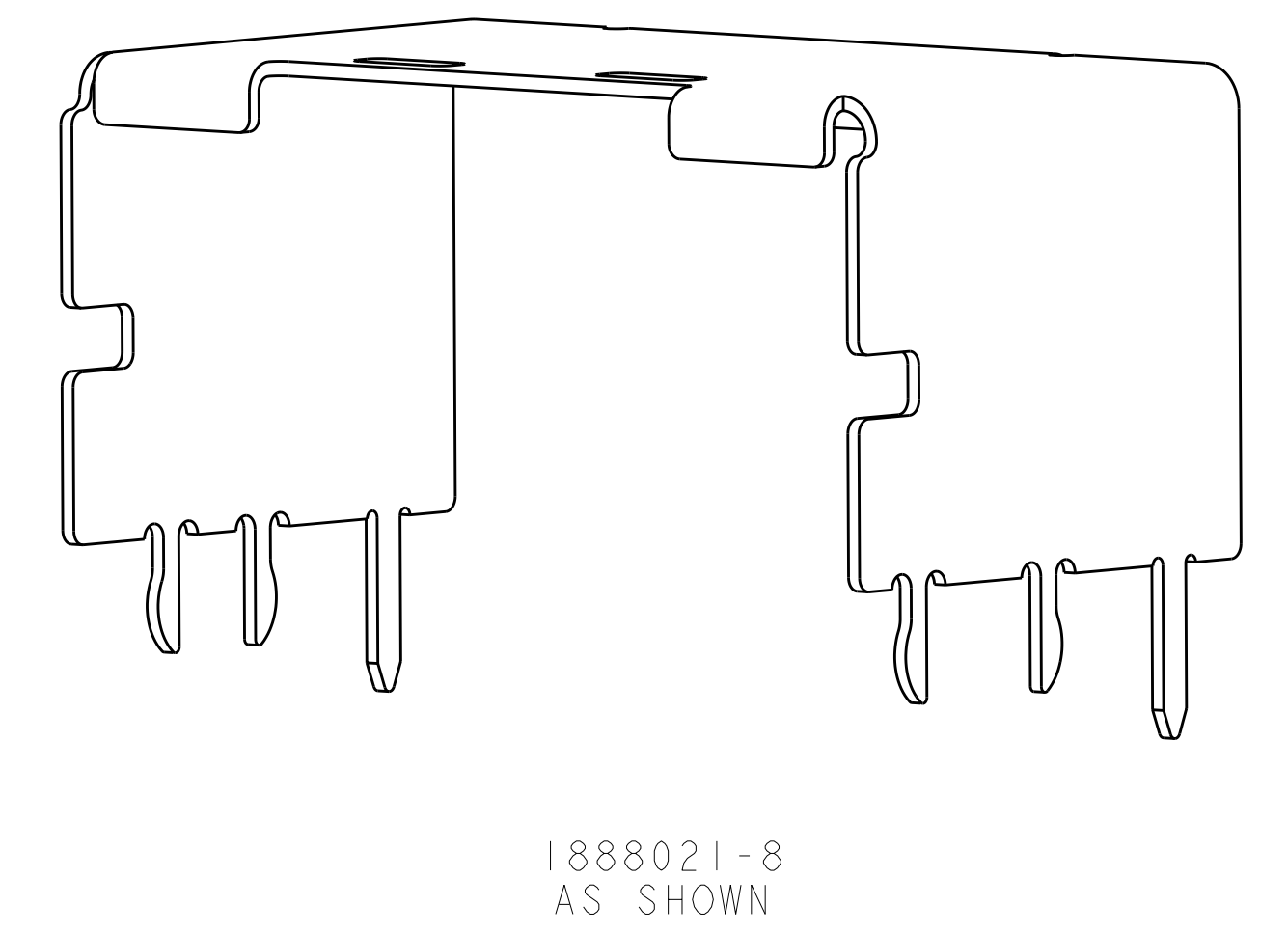
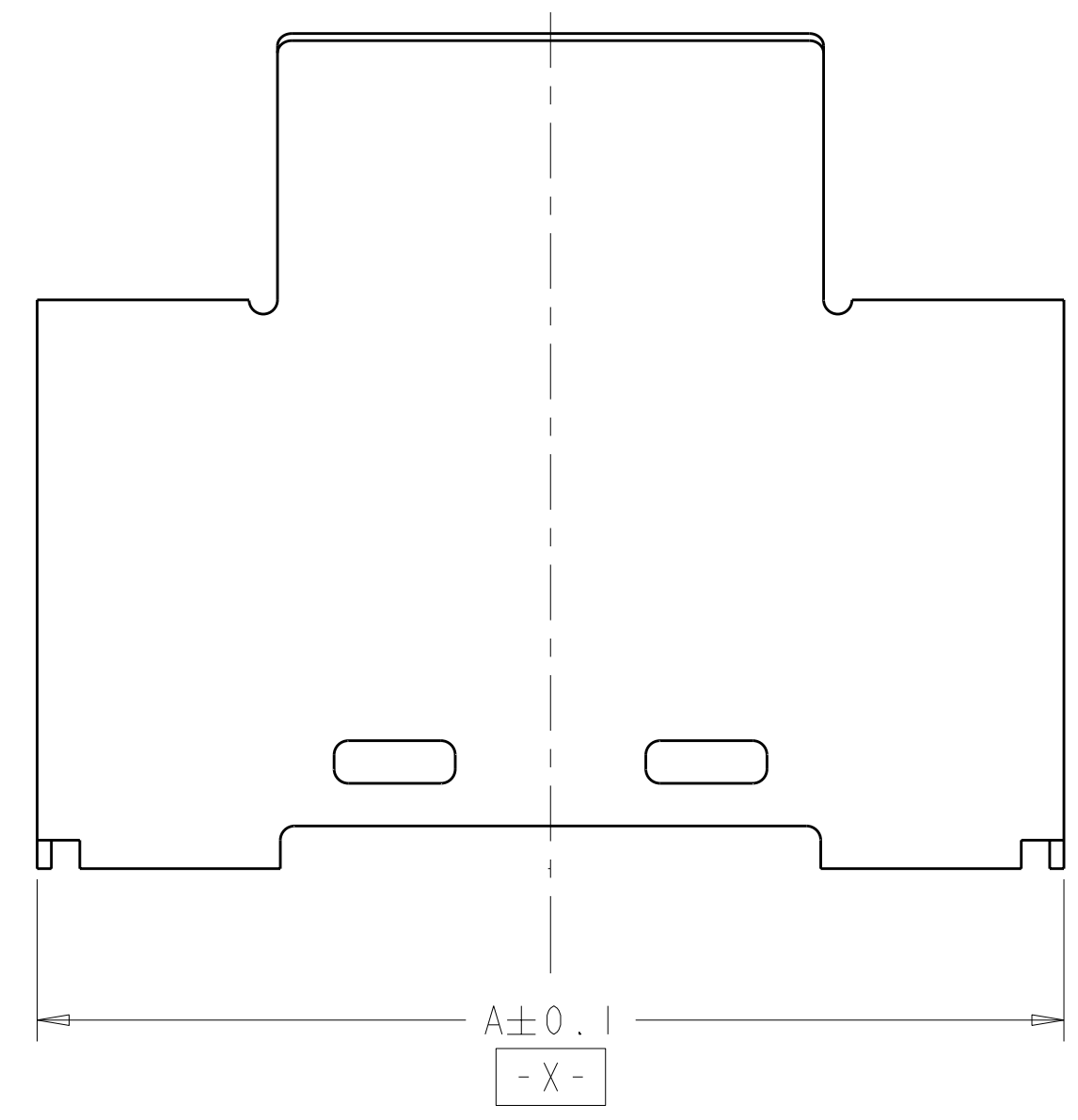
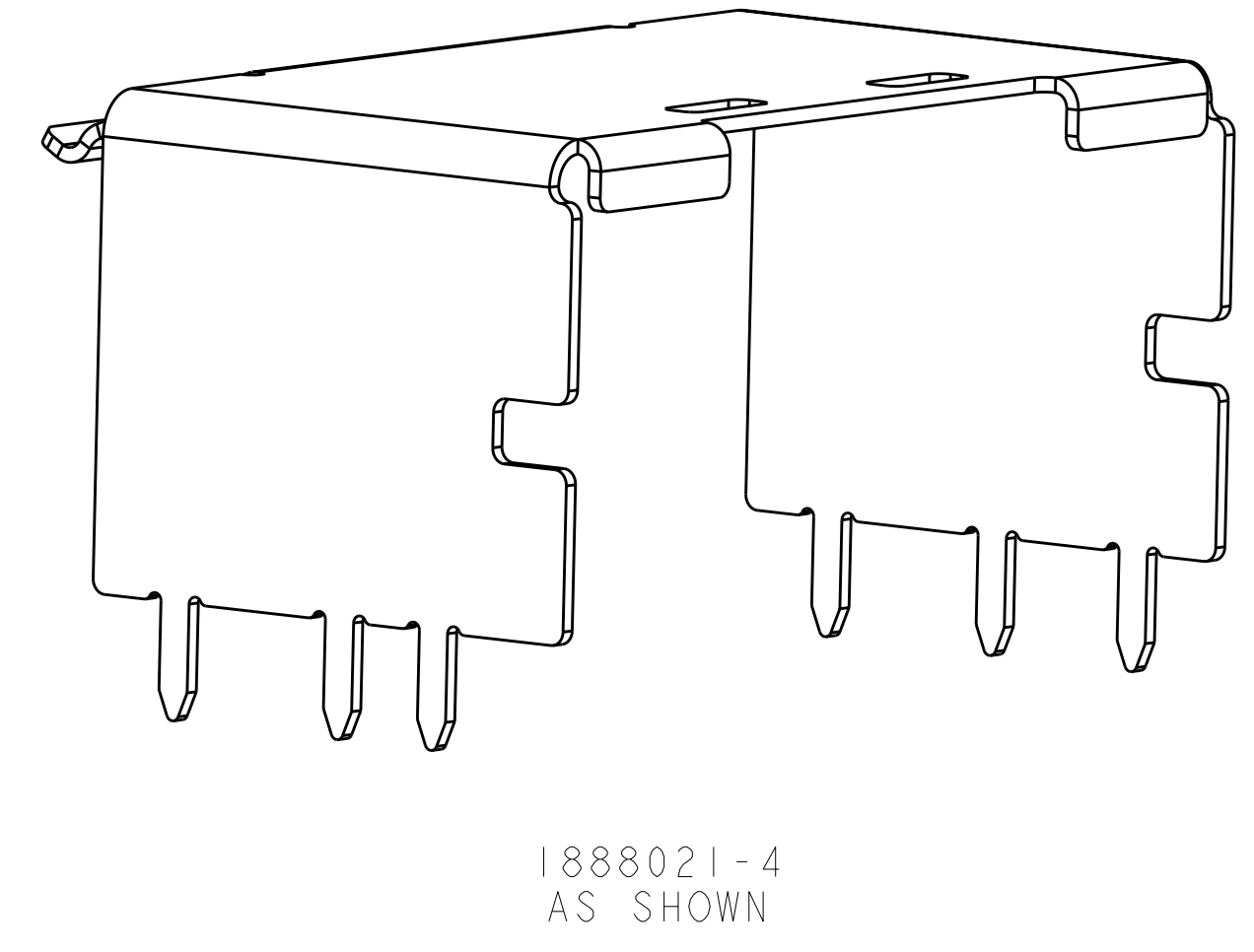
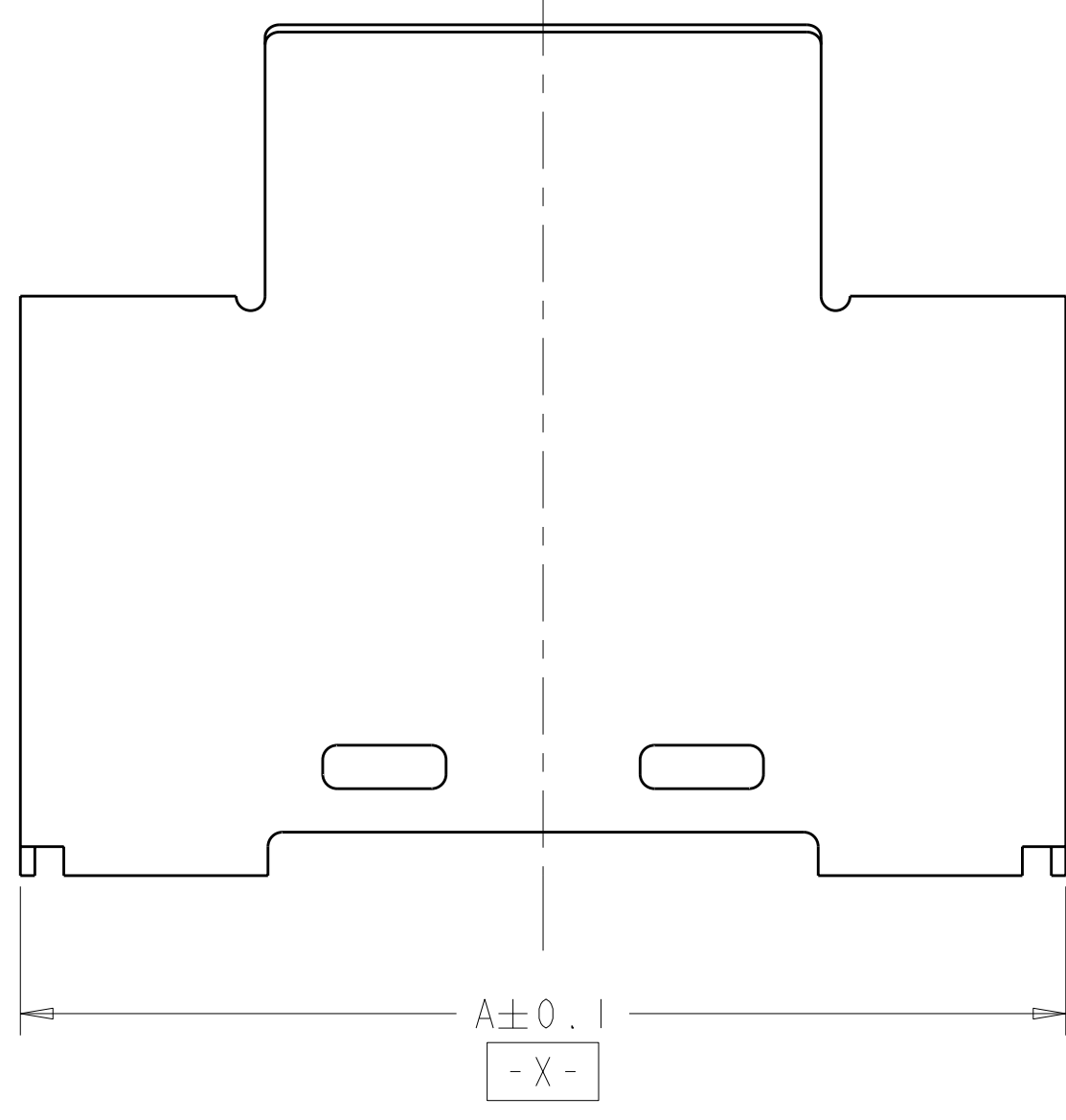


FIGURE M

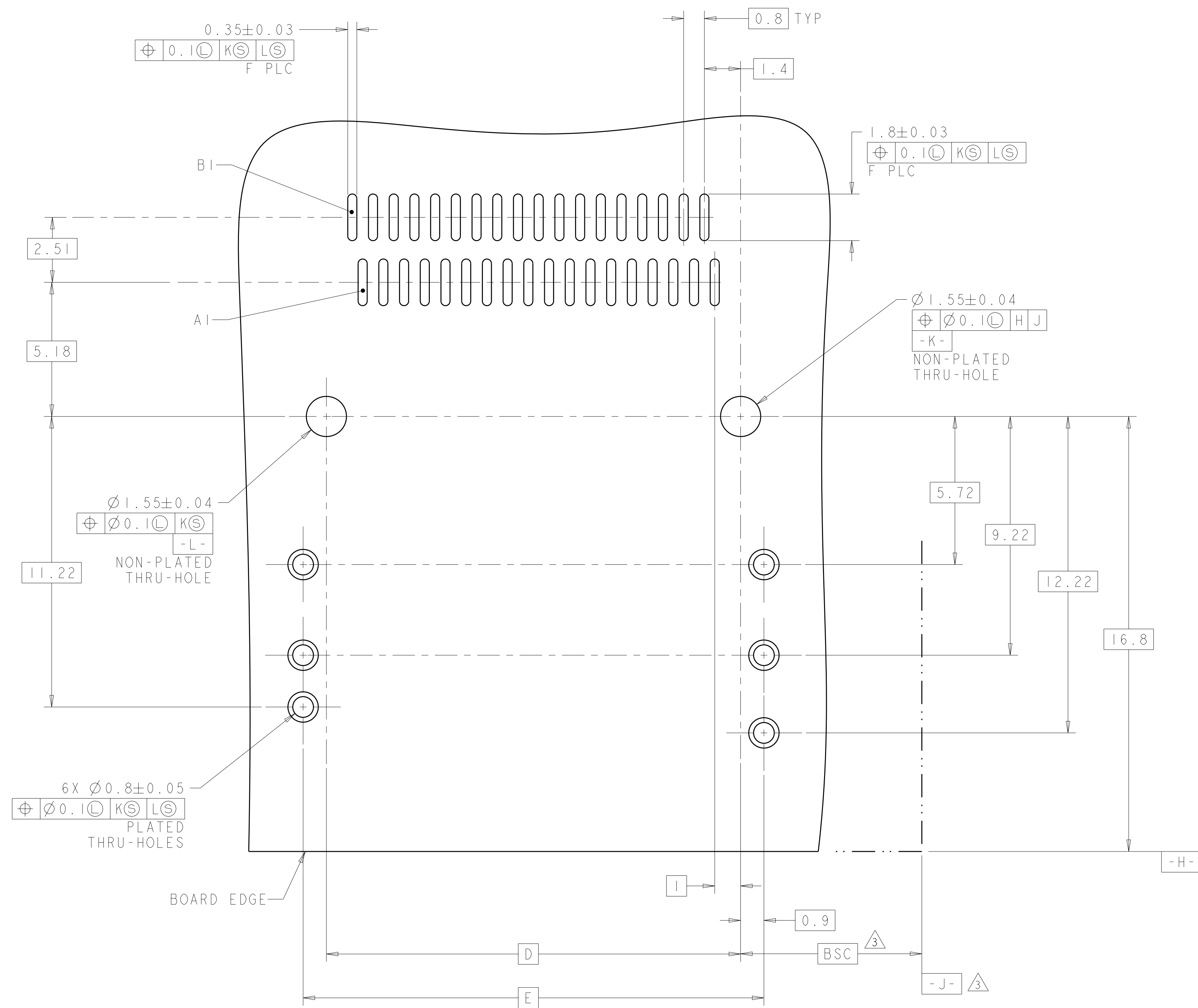
FIGURE N

- 1 MATERIAL: NICKEL-SILVER PER ASTM B 122.
- 2. SHELL TO BE USED WITH THE SURFACE MOUNT RECEPTACLE CONNECTOR PART NUMBER REFERENCED IN TABLE
- 3 DATUM AND BASIC DIMENSION ESTABLISHED BY CUSTOMER

FIGURE	CONNECTOR PART NUMBER	G	F	E	D	A	POSN	PART NUMBER
M	1761987-2	3.5	36	17.8	16	18.05	36	1-1888021-6
M	1761987-2	2.8	36	17.8	16	18.05	36	1-1888021-2
N	1761987-2	-	36	17.8	16	18.05	36	1888021-8
M	1761987-2	2	36	17.8	16	18.05	36	1888021-4

DIMENSIONS: mm 9 PLC ± 1 PLC ±0.1 5 PLC ± 4 PLC ± ANGLES ± FINISH -		TOLERANCES UNLESS OTHERWISE SPECIFIED: 9 PLC ± 1 PLC ±0.1 5 PLC ± 4 PLC ± ANGLES ± FINISH -		DWN Z.M. BEAM 14MAY2008 CHK D.L. GORENC 14MAY2008 APVD P.H. WERTZ 14MAY2008		Tyco Electronics Harrisburg, PA 17105-3608	
MATERIAL: NICKEL-SILVER PER ASTM B 122		PRODUCT SPEC: 108-2234 APPLICATION SPEC:		NAME: EVERCLEAR Mini-SAS DUAL KEYED INTERNAL SHELL, RIGHT ANGLE, RECEPTACLE		SIZE: CAGE CODE: DRAWING NO: A100779C=1888021	
CUSTOMER DRAWING		SCALE: 8:1		SHEET 1 OF 2		REV A1	

LOC	DIST	REVISIONS					
GP	00	P	LTB	DESCRIPTION	DATE	DWN	APVD
		-	-	SEE SHEET 1	-	-	-



RECOMMENDED PCB LAYOUT
 SCALE 10:1

<small>THIS DRAWING IS UNPUBLISHED. IT IS SUBJECT TO CHANGE WITHOUT NOTICE AND WITHOUT OBLIGATION. TOLERANCES UNLESS OTHERWISE SPECIFIED: DIMENSIONS IN MILLIMETERS.</small>		DWN: Z.M. BEAM 14MAY2008 CHK: D.L. GORENC 14MAY2008 APVD: P.H. WERTZ 14MAY2008	Tyco Electronics Harrisburg, PA 17105-3608
DIMENSIONS: mm 	TOLERANCES UNLESS OTHERWISE SPECIFIED: 9 PLC ± 8 PLC ±0.1 5 PLC ± 4 PLC ± ANGLES ± FINISH ±	NAME: EVERCLEAR Mini-SAS PRODUCT SPEC: 108-2234 APPLICATION SPEC:	SIZE: A CAGE CODE: 100779 DRAWING NO: C=1888021 RESTRICTED TO:
MATERIAL: -	FINISH: -	WEIGHT: -	CUSTOMER DRAWING
		SCALE: 8:1	SHEET 2 OF 2 REV A1

Mouser Electronics

Authorized Distributor

Click to View Pricing, Inventory, Delivery & Lifecycle Information:

[TE Connectivity:](#)

[1-1888021-2](#)