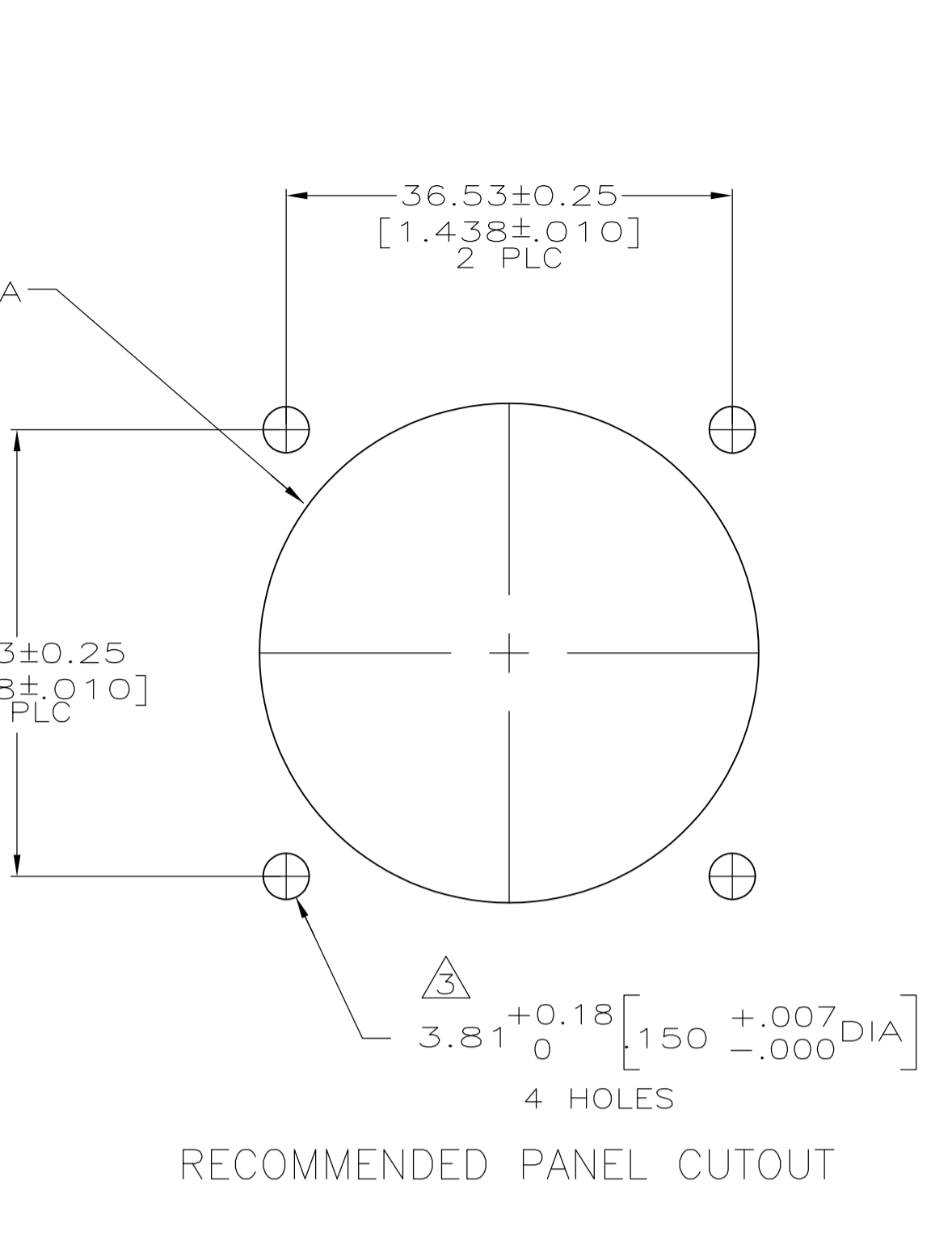
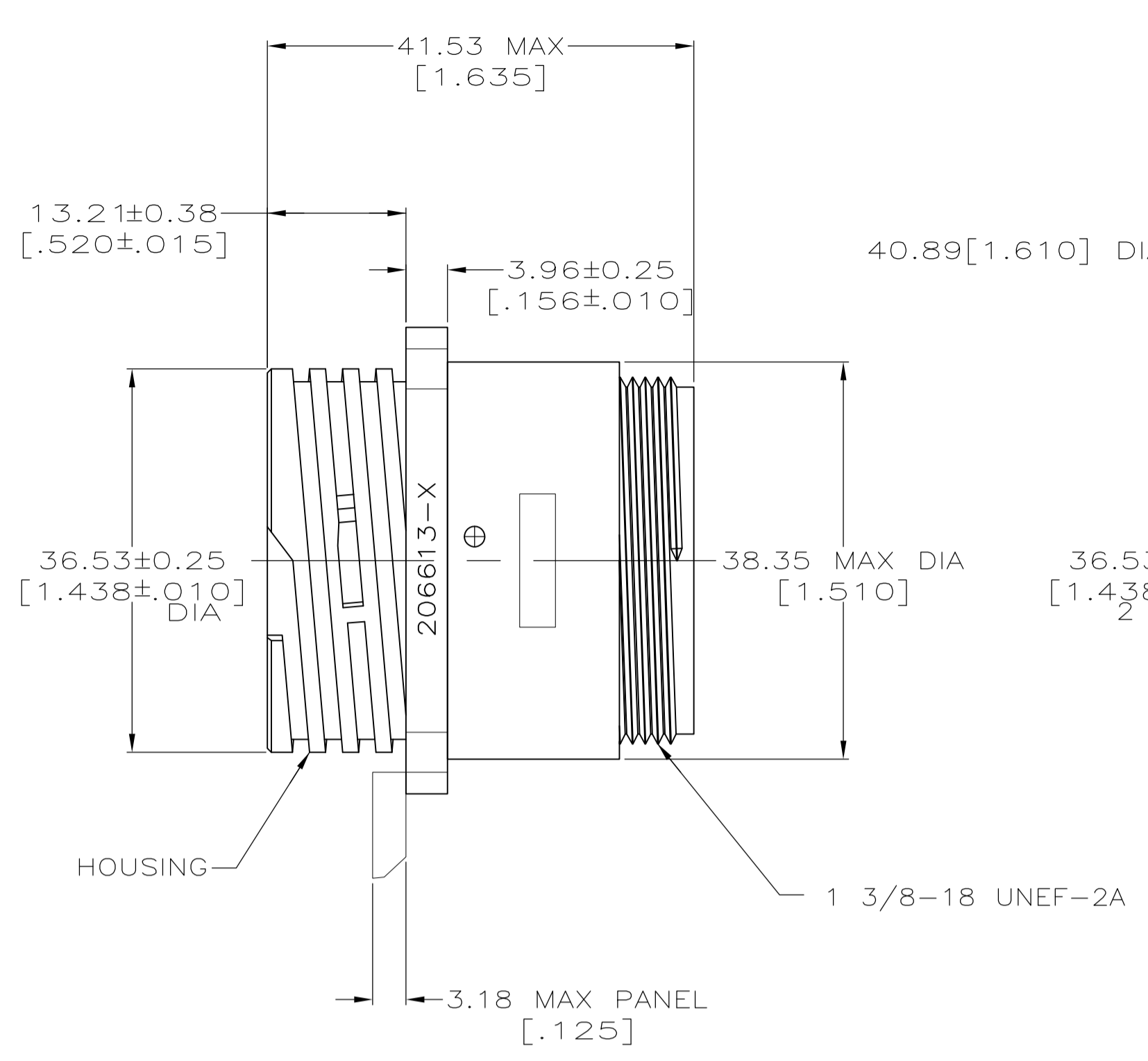
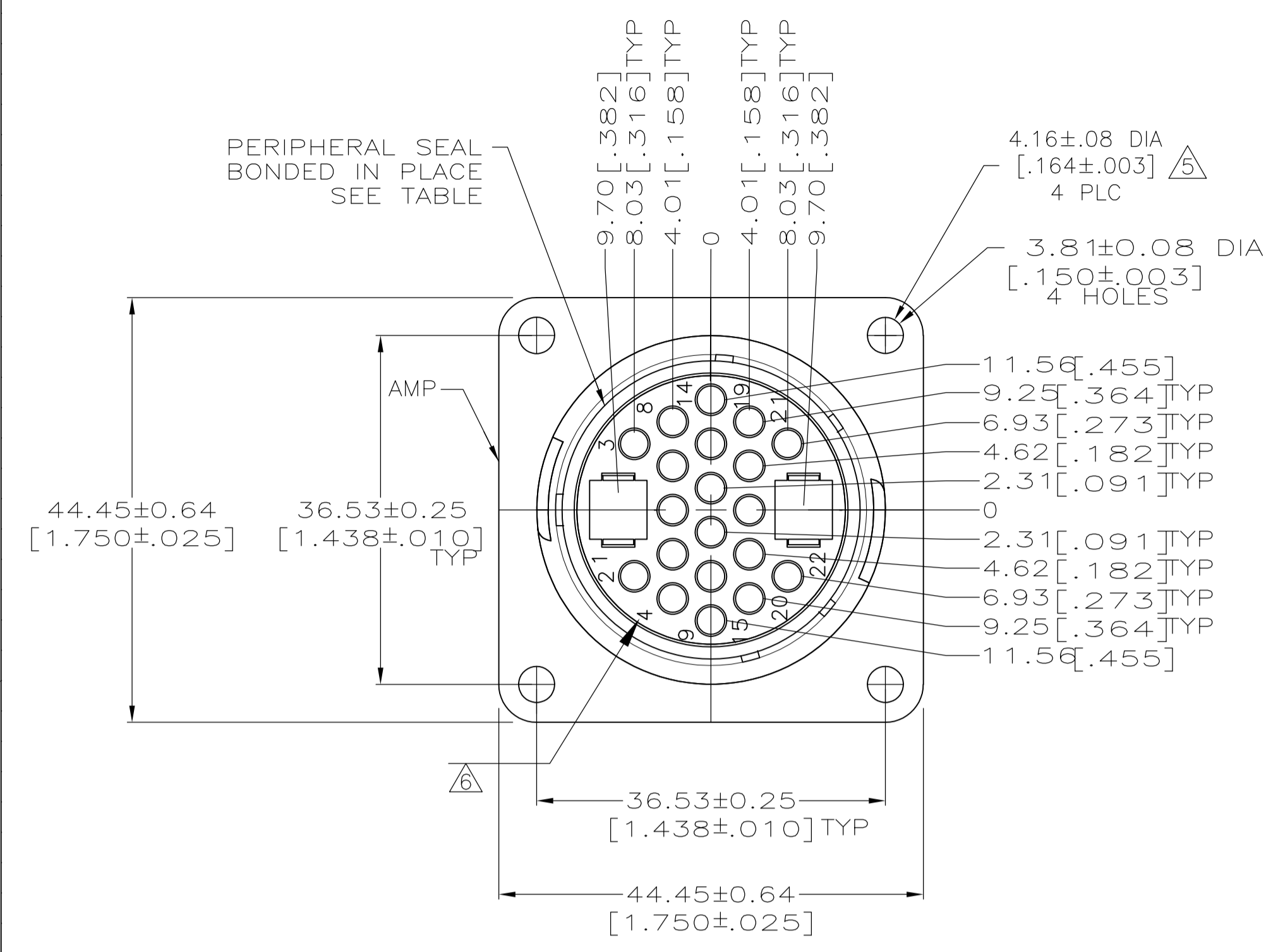
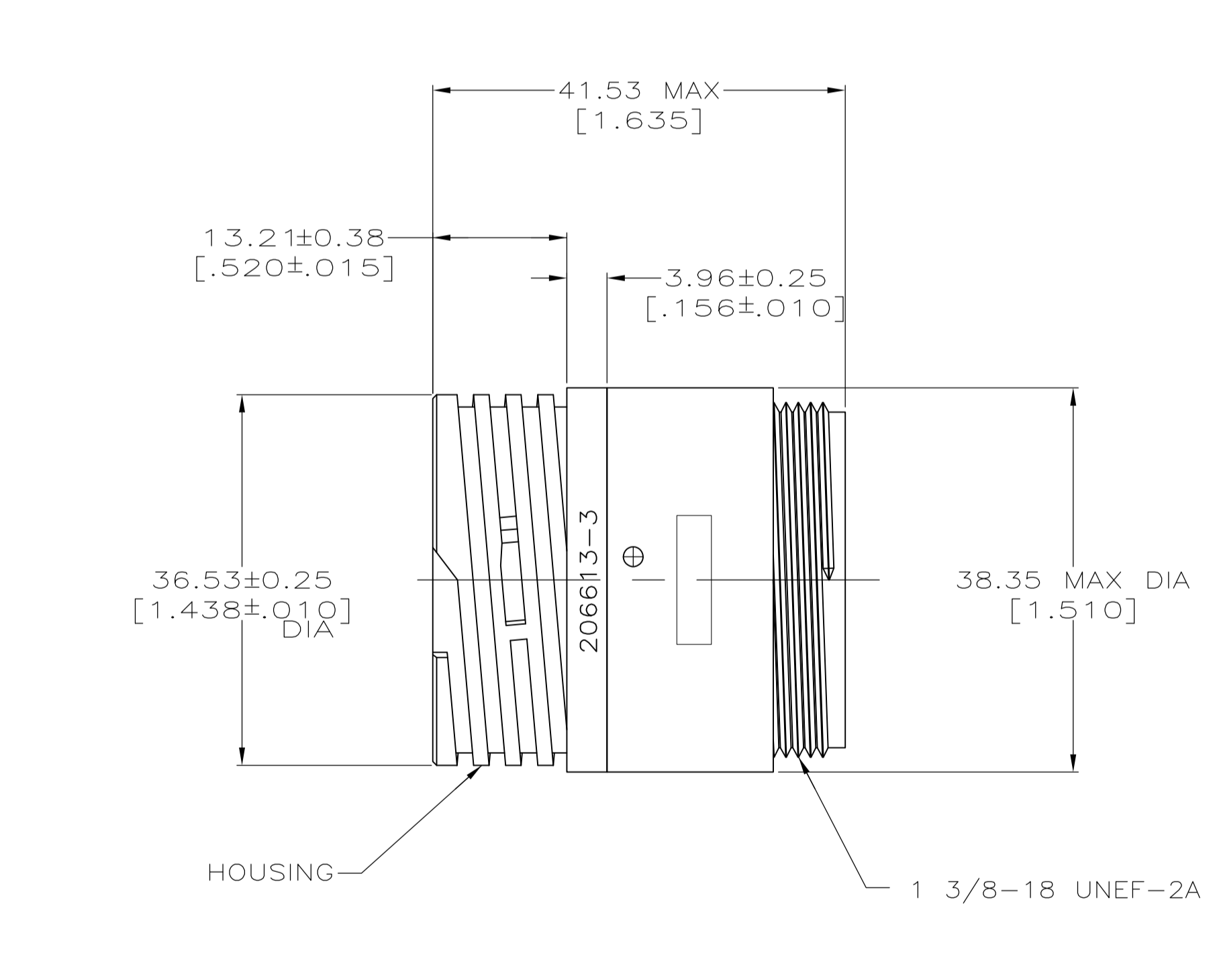
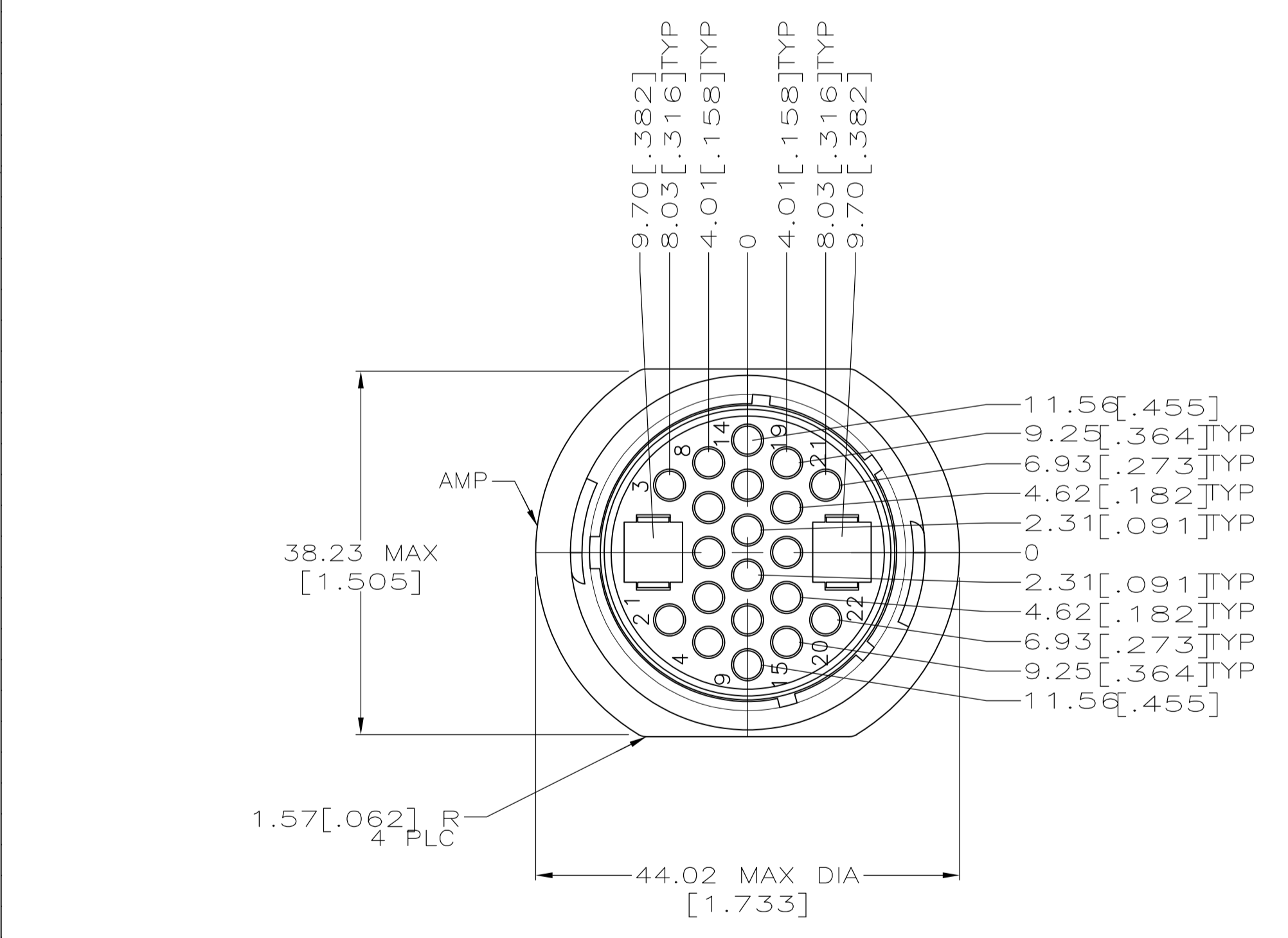


REVISIONS					
P	LTR	DESCRIPTION	DATE	DN	APVD
P2		REVISED PER ECO-11-004820	11MAR11	RK	HMR
R		REVISED PER ECR-16-017870	20APR2017	BDA	MZ



DETAIL A



DETAIL B

- WILL ACCEPT (20) MULTIMATE AND 2 TYPE XII PIN CONTACTS.
- CAVITY IDENTIFICATION ON FRONT AND REAR FACE.
- NUMBER 4 FASTENERS RECOMMENDED FOR MOUNTING.
- HOUSING: NYLON, BLACK. PERIPHERAL SEAL: ELASTOMER, GRAY.
- APPLIES TO 206613-6 ONLY.
- PERMANENT WHITE MARKED OR WHITE INK STAMPED CAVITY IDENTIFICATION.
- HOUSING: NYLON, RED. PERIPHERAL SEAL: ELASTOMER, GRAY.
- WHITE DOT NEAR POSITION 1 ON WIRE ENTRY FACE.

STATUS	PLC	PERIPHERAL SEAL	SEE DETAIL	PART NUMBER	
OBSOLETE	8	4	YES	A	1-206613-2
OBSOLETE	7	4	YES	A	206613-9
PRELIMINARY	6	4	YES	A	206613-7
OBSOLETE	4	4	NO	A	206613-6
	4	4	YES	A	206613-5
	4	4	NO	B	206613-3
	4	4	NO	A	206613-1
NOTES	THREADED INSERTS	PERIPHERAL SEAL	SEE DETAIL	PART NUMBER	

THIS DRAWING IS A CONTROLLED DOCUMENT.

DIMENSIONS: INCHES	TOLERANCES UNLESS OTHERWISE SPECIFIED:	DIN M. BINNER 05/26/94	CHK R. STONE 6-23-94
0 PLC ± -	1 PLC ± -	APVD	NAME
2 PLC ± ± 0.13 [.005]	3 PLC ± -	PRODUCT SPEC	108-10024
4 PLC ± -	ANGLES ± -	APPLICATION SPEC	
MATERIAL	FINISH	SIZE	CAGE CODE
		WEIGHT	DRAWING NO
		CUSTOMER DRAWING	A1 00779
		SCALE	2:1
		SHEET	1 of 1
		REV	R

STE TE Connectivity

RECEPTACLE HOUSING, STANDARD SEX, SHELL SIZE 23, CPC

# Mouser Electronics

Authorized Distributor

Click to View Pricing, Inventory, Delivery & Lifecycle Information:

[TE Connectivity:](#)

[206613-1](#)