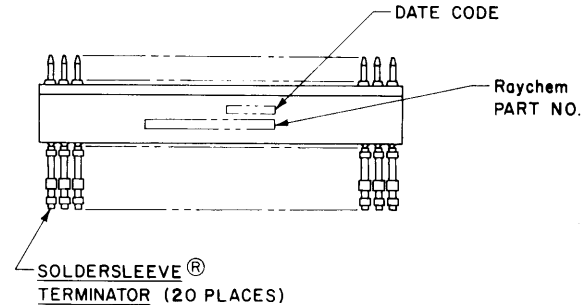


REVISIONS			
LTR	DESCRIPTION	DATE	APPROVED
B	REVISED PER ECN T-17745	92 Sep 14	[Signature]



5 WEIGHT (MAX.): LBS. | GRAMS  
.0092 | 4.173

4 PIN NUMBER ONE IS MARKED IN CONTRASTING COLOR ON INTERFACIAL SEAL.

- |               |                               |  |
|---------------|-------------------------------|--|
| 3. FINISH :   | 3-A <u>PIN WAFER</u> ;        | FINISH TO BE AS MOLDED.                  |
|               | 3-B <u>PIN CONTACT</u> ;      | GOLD PLATE PER MIL-G-45204, CLASS I.     |
|               | (ENGAGING END)                |  |
|               | 3-C <u>CONTACT TAIL</u> ;     | COATED WITH Sn63 SOLDER PER QQ-S-571     |
| 2. MATERIAL : | 2-A <u>PIN WAFER</u> ;        | HIGH GRADE POLYARYLENE THERMOPLASTIC.    |
|               | 2-B <u>PIN CONTACT</u> ;      | COPPER ALLOY PER QQ-B-613 OR QQ-C-502.   |
|               | 2-C <u>INTERFACIAL SEAL</u> ; | SILICONE ELASTOMER PER MIL-R-25988.      |
|               | 2-D <u>SOLDERSLEEVE®</u>      | REFER TO RAYCHEM DWG. CTA-0068 FOR DATA. |
|               | <u>TERMINATOR</u> ;           |  |

1. THIS WAFER ASSEMBLY USED IN MTC100 CONNECTORS.

NOTES:

If this document is printed it becomes uncontrolled.  
 Check with the web for latest revision.

**SPECIFICATION CONTROL DRAWING** Raychem Corporation 1983

DRAWN	HAWKINGS	11-16-83	<b>Raychem</b> <small>RAYCHEM CORPORATION          300 CONSTITUTION DRIVE          MENLO PARK, CALIFORNIA 94025</small>	
CHECKED	[Signature]			
APPROVED	[Signature]	12-2-83	TITLE WAFER ASSEMBLY, PIN, "A" STYLE, 2", 20 CONTACTS, WITH OVAL ENTRY FOR 20-26 AWG. TEMP. RATING 125° C MTC100 SERIES	
APPROVED	[Signature]	12-2-87		
UNLESS OTHERWISE SPECIFIED DIMENSIONS ARE IN INCHES ±.005 METRIC DIMENSIONS ARE IN PARENTHESIS (M.M.)			SIZE	CODE IDENT NO
DO NOT SCALE THIS DRAWING			A	06090
			DWG NO	MTC100-JA2-PI4
			WEIGHT	[Symbol]
			SHEET	1 OF 1

# Mouser Electronics

Authorized Distributor

Click to View Pricing, Inventory, Delivery & Lifecycle Information:

[TE Connectivity:](#)

[697120-000](#)