

4

3

2

1

THIS DRAWING IS UNPUBLISHED.
VERTRAULICHE UNVERÖFFENTLICHTE ZEICHNUNG

RELEASED FOR PUBLICATION
FREI FUER VERÖFFENTLICHUNG

MATED WITH:
PASSEND ZU:

LOC
AI

DIST

REVISIONS
ÄNDERUNGEN

© COPYRIGHT 2000

BY AMP INCORPORATED.

ALL RIGHTS RESERVED.
ALLE RECHTE VORBEHALTEN

HEE

PROJEKT NR.:
EGGMN04414

P
B2

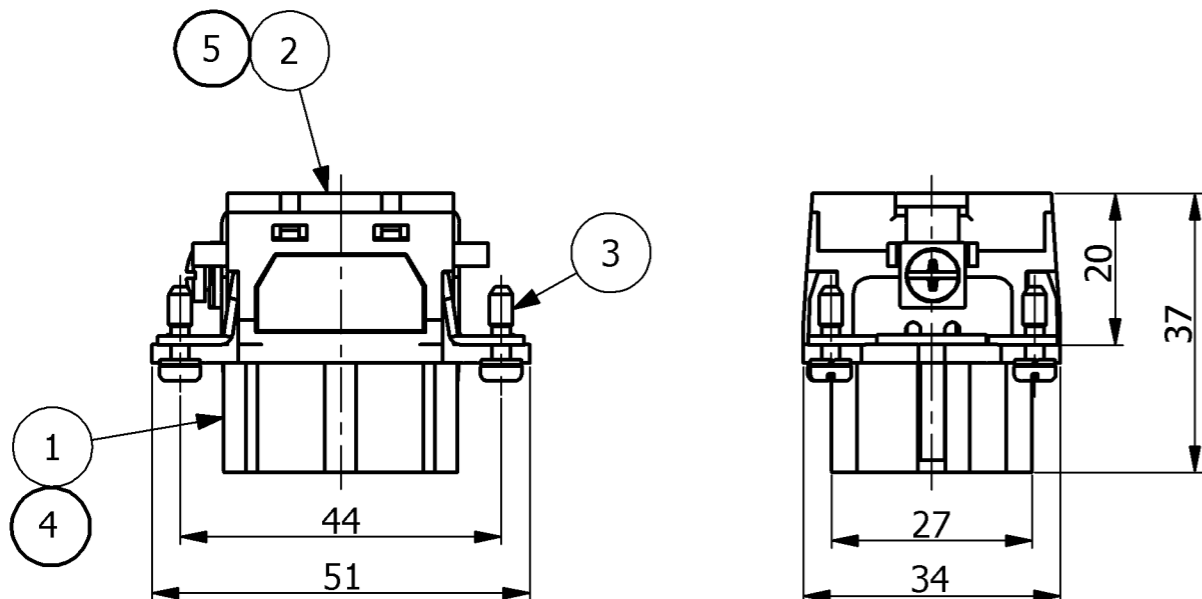
LTR
REVISED PER ECO-11-004886

DESCRIPTION
BESCHREIBUNG

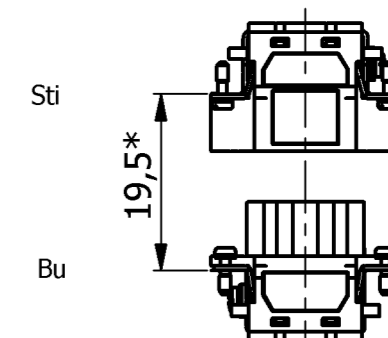
DATE
29APR11

DWN
HMR

APVD
MM

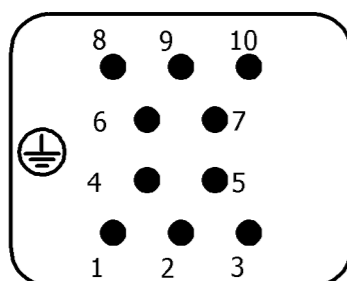


* distance for guaranteed contact 21 mm max.



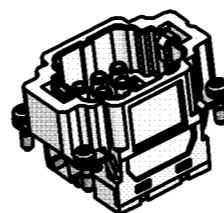
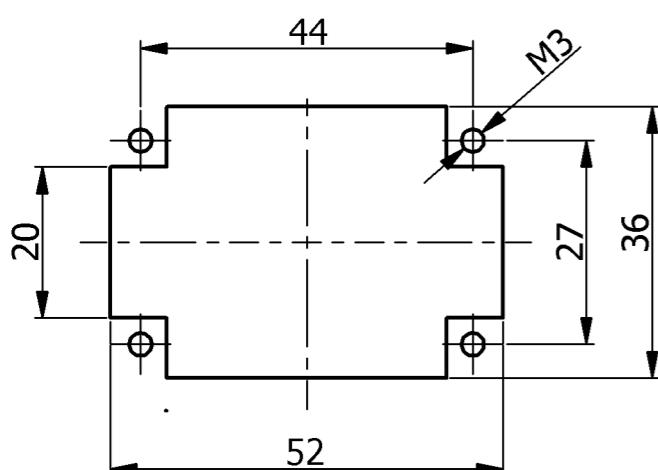
Contact arrangement view from termination side

PN 0-1; 0-2



- 1 Material, LCP-GF
- 2 Material, insert: PC-GF20
- 3 Material, cover: PC-GF20
- 4 Packaging: 10 pieces

Panet cut-out for contact insert when used without housing



1		Cover HEE.10- FS	LCP-GF30	NATURE		5
1		Female insert HEE.10-FS	LCP-GF30	NATURE		4
4	4	FIXING SCREW	STEEL	BLUE	M3X10,5	3
	1	COVER HEE10	PC-GF20 (B)	NATURAL		2
	1	FEMALE INSERT HEE.10	PC-GF20 (B)	LIGHT-GREY	-	1
QTY.	QTY.	DESCRIPTION	MATERIAL	COLOR	NOTE	ITEM

0-2	0-1	PARTS LIST				
HEE.10.Bu.C						
HEE.10.Bu.C-FS						

<small>THIS DRAWING IS A CONTROLLED DOCUMENT FOR AMP INCORPORATED. IT IS SUBJECT TO CHANGE AND THE CONTROLLING ENGINEERING ORGANIZATION SHOULD BE CONTACTED FOR THE LATEST REVISION. DIESSES ZEICHNUNGSDOKUMENT WIRD DURCH AMP INCORPORATED KONTROLLIERT. ÄNDERUNGEN, DIE DEM TECHNISCHEN FORTSCHRITT DIENEN, SIND VORBEHALTEN. DEN JEWELIGEN LETZTLIEGENDEN ÄNDERUNGSSTAND ERFAHREN SIE AUF ANFRAGE.</small>		DWN 02.05.2005 SCHNEIDER CHK 02.05.2005 M.SCHWEIGER			
DIMENSIONS: DIMENSIONEN: mm		TOLERANCES UNLESS OTHERWISE SPECIFIED: ALLGEMEINTOLERANZEN n. ISO 8015 n. ISO 2768 - mH -E n. DIN 16901 - 140 0 PLC # 1 PLC # 2 PLC # 3 PLC # ANGLES/WINKEL #		APVD 02.05.2005 T.SCHNURPFEIL PRODUCT SPEC PRODUKTSPEZ. 108-74045	
		MATERIAL		NAME FEMALE INSERT HEE.10.BU.C	
FINISH / OBERFLÄCHE / FARBE		WEIGHT GEWICHT		SIZE A3 CAGE CODE 00779 DRAWING NO ZEICHNUNGS-NR. 1102919	
CUSTOMER DRAWING / KUNDENZEICHNUNG				RESTRICTED TO NUR FUER -	
SCALE MASSSTAB			SHEET BLATT 1 OF VON 1 REV B2		

Mouser Electronics

Authorized Distributor

Click to View Pricing, Inventory, Delivery & Lifecycle Information:

[TE Connectivity:](#)

[1102919-1](#)