

4

3

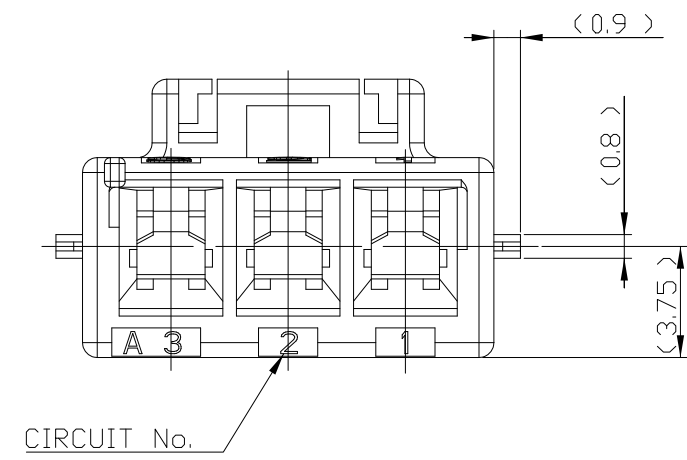
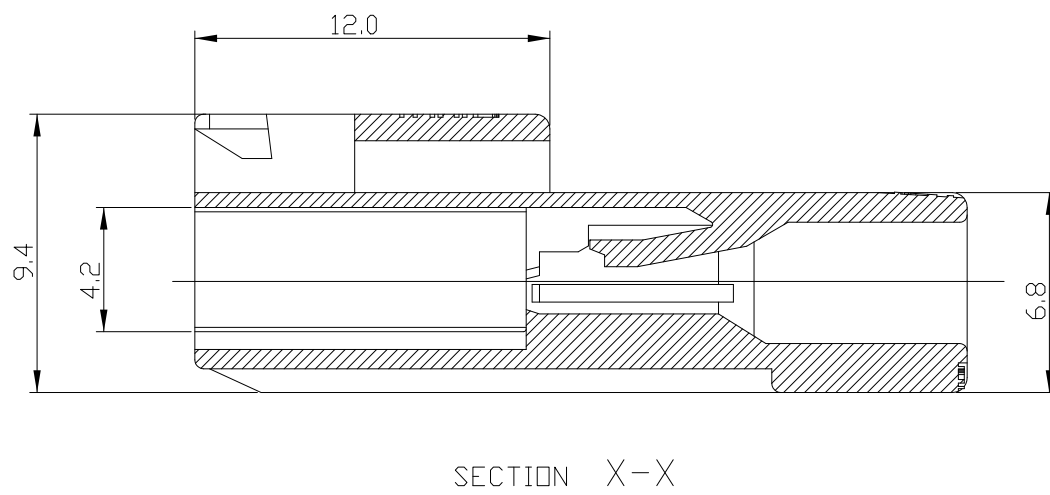
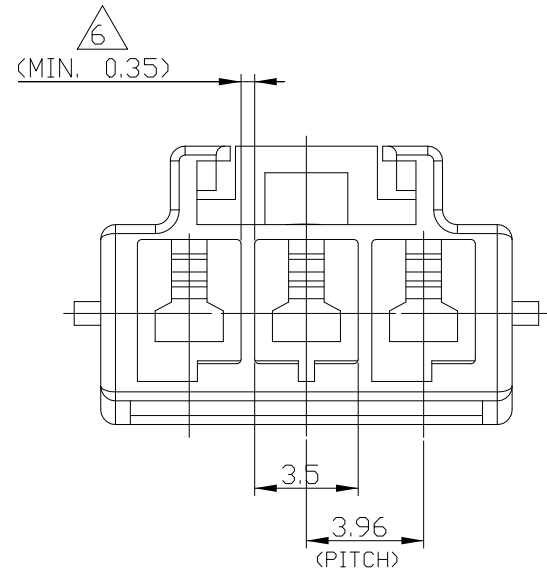
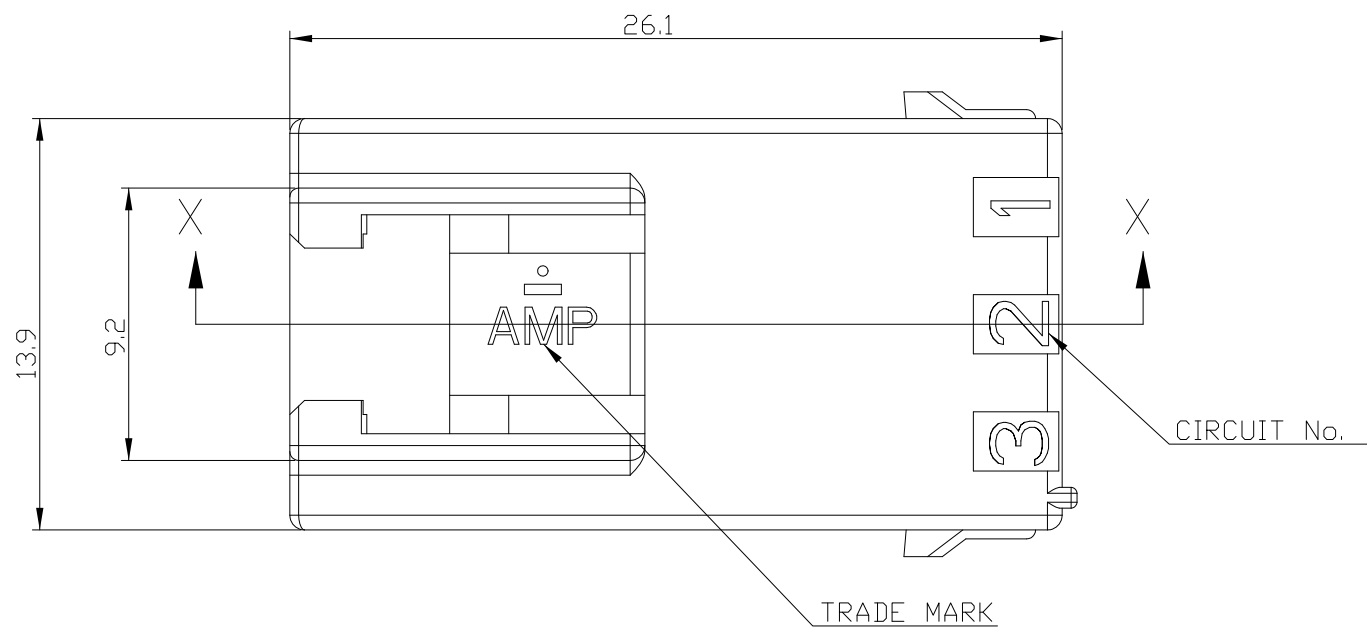
2

1

THIS DRAWING IS UNPUBLISHED. RELEASED FOR PUBLICATION 20

© COPYRIGHT 20 BY TYCO ELECTRONICS CORPORATION. ALL RIGHTS RESERVED.

LOC	DIST	REVISIONS					
DS	-	P	LTR	DESCRIPTION	DATE	DWN	APVD
		A		RELEASED	29.MAY'09	SC	JK



NOTE;
 1.APPLICABLE CONTACT P/N
 -TAB CONTACT: 177917- □(AWG#16-#20)
 177916- □(AWG#22-#26)
 2.MATING CONN.P/N
 -PLUG HSG:368571- □
 -REC CONTACT:177915- □(AWG#16-#20)
 :177914- □(AWG#22-#26)
 3.APPLICABLE DOUBLE LOCK PLATE:177919-1
 *IT SHOULD BE USED CERTAINLY WHEN CABLE ASS'Y
 4.GENERAL TOLERANCES:±0.3
 5.ACCORDING TO IEC 60335-1 4.2 EDITION
 -PART MEETS GWT 750°C,850°C.
 -MATERIAL MEETS BALL PRESSURE TESTING AT 125°C.
 -MATERIAL HAS CTI VALUE OF 250V.
 6.△MIN.THICKNESS OF INSULATING WALL

368572-9	BLACK
368572-6	BLUE
368572-4	YELLOW
368572-2	RED
368572-1	NATURAL
P/N	COLOR

THIS DRAWING IS A CONTROLLED DOCUMENT FOR TYCO ELECTRONICS CORPORATION IT IS SUBJECT TO CHANGE AND THE CONTROLLING ENGINEERING ORGANIZATION SHOULD BE CONTACTED FOR THE LATEST REVISION.		DWN SC KIM	AMP KOREA Kyungsan, Korea	
DIMENSIONS: mm		CHK BW KANG		
TOLERANCES UNLESS OTHERWISE SPECIFIED:		APVD JK SONG	NAME PDL 3P CAP HSG 3.96mm F/H (GWT)	
0 PLC ±- 1 PLC ±0.1 2 PLC ±0.05 3 PLC ±0.025 4 PLC ±0.0001 ANGLES ±-		PRODUCT SPEC 108-61106	APPLICATION SPEC -	RESTRICTED TO
MATERIAL PA66(UL94V-0)	FINISH -	WEIGHT -	SIZE A3	CAGE CODE 00779
		DRAWING NO 368572		
CUSTOMER DRAWING		SCALE 4:1	SHEET 1	OF 1
		REV A		

Mouser Electronics

Authorized Distributor

Click to View Pricing, Inventory, Delivery & Lifecycle Information:

[TE Connectivity:](#)

[368572-2](#)