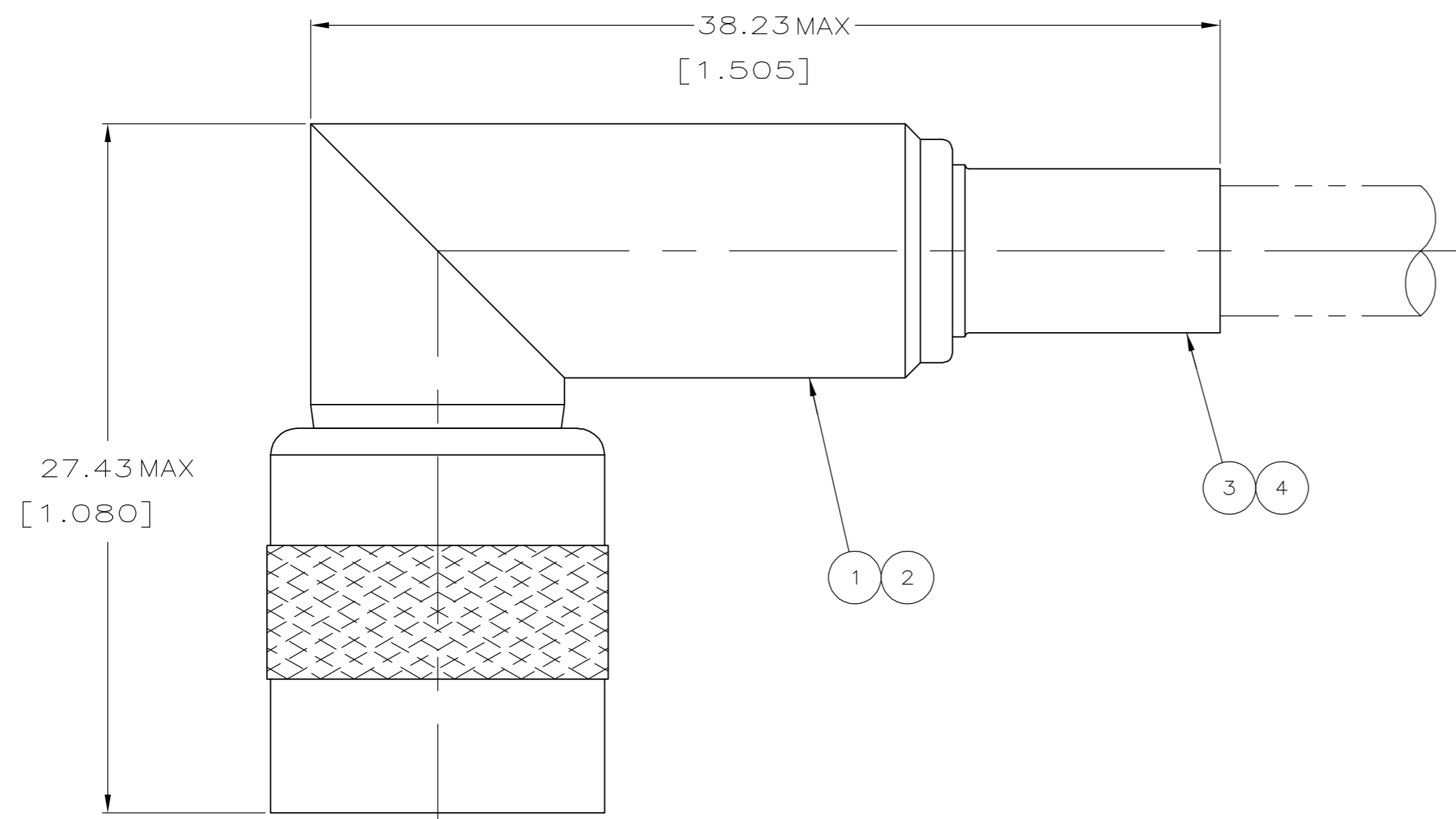
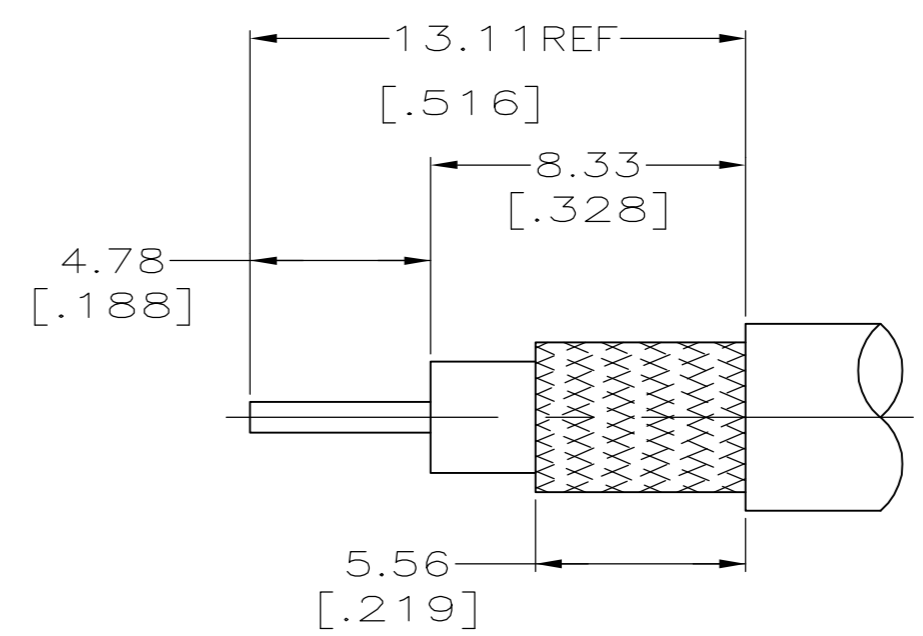


THIS DRAWING IS UNPUBLISHED. RELEASED FOR PUBLICATION  
 © COPYRIGHT BY TYCO ELECTRONICS CORPORATION. ALL RIGHTS RESERVED.

LOC		DIST		REVISIONS			
AJ	00	P	LTR	DESCRIPTION	DATE	DWN	APVD
		H1		REV PER ECO 06-029805	2/6/2007	DW	JL



- 1. USE HAND TOOL: 354940-1
- 2. USE INSTRUCTION SHEET 408-4144



RECOMMENDED STRIP LENGTH

OBSOLETE	55/U, 55A/U, 55B/U, 223/U	220189-1	-	9-329099-0	221149-6	414124-1	9-414173-0	
OBSOLETE	55/U, 55A/U, 55B/U, 223/U	220189-1	-	9-329099-0	221149-6	414124-1	414173-6	
OBSOLETE	RG-142/U, 142A/U, 142B/U, 400/U	220189-1	-	9-225382-0	2-221149-6	414124-1	414173-5	
OBSOLETE	RG-188/316 TYPE DOUBLE BRAID	58330-1	227194-1	9-329049-0	2-221149-0	414124-3	414173-4	
OBSOLETE	RG-174/U, 174A/U, 188/U, 188A/U, 316/U	220210-1	227194-1	9-328666-0	2-221149-0	414124-3	414173-3	
OBSOLETE	RG-59/U, 59A/U, 59B/U, 62/U, 62A/U, 62B/U	220189-2	-	9-50428-0	1-221149-3	414124-2	414173-2	
OBSOLETE	RG-58/U, 58A/U, 58B/U, 58C/U, 141/U, 141A/U	220189-1	-	9-50427-1	221149-6	414124-1	414173-1	
	FOR USE WITH CABLE	DIE SET	④	TUBING QTY=1	③ FERRULE QTY=1	② CONTACT QTY=1	① PLUG ASSEMBLY QTY=1	PART NUMBER

THIS DRAWING IS A CONTROLLED DOCUMENT.

DWN	M. E. COWHER	9-5-91
CHK	J. T. LIPPERT	9-12-91
APVD	M. PHILLIPS	9-13-91

tyco Electronics  
 Tyco Electronics Corporation  
 Harrisburg, PA 17105-3608

NAME: PLUG, RIGHT ANGLE, 50 OHM, COMMERCIAL TNC

SIZE	A2	CAGE CODE	00779	DRAWING NO	C=414173	RESTRICTED TO	-
SCALE	5:1	SHEET	1 of 1	REV	H1		

CUSTOMER DRAWING

# Mouser Electronics

Authorized Distributor

Click to View Pricing, Inventory, Delivery & Lifecycle Information:

[TE Connectivity:](#)

[414173-3](#)