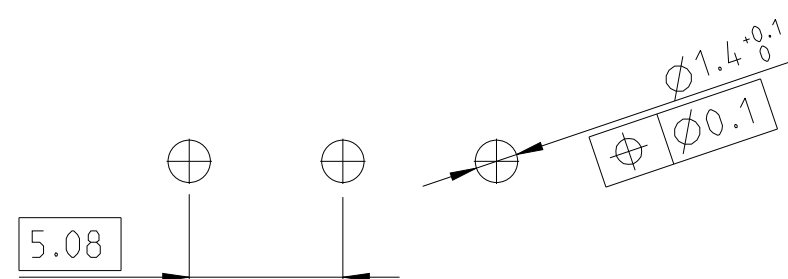
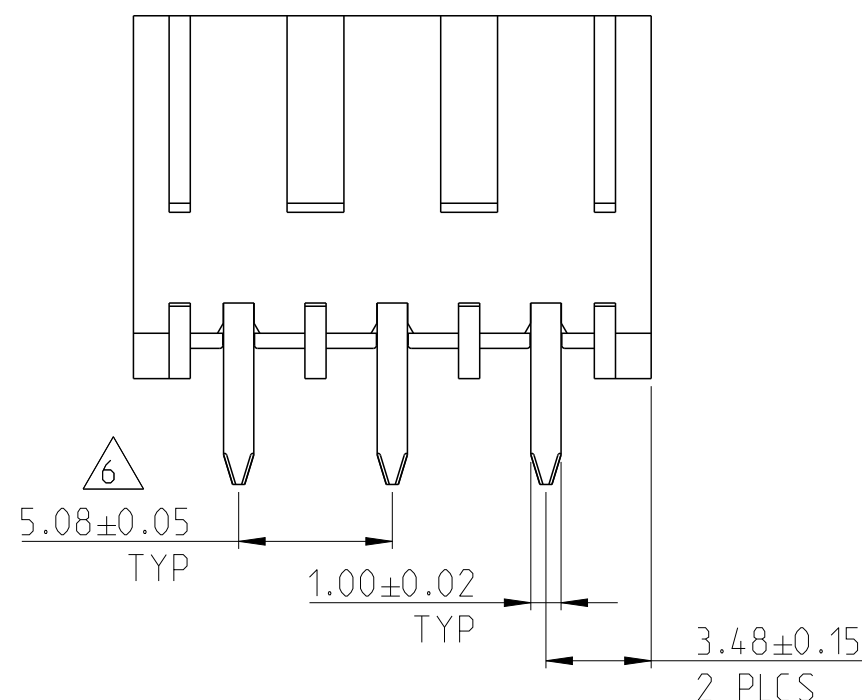
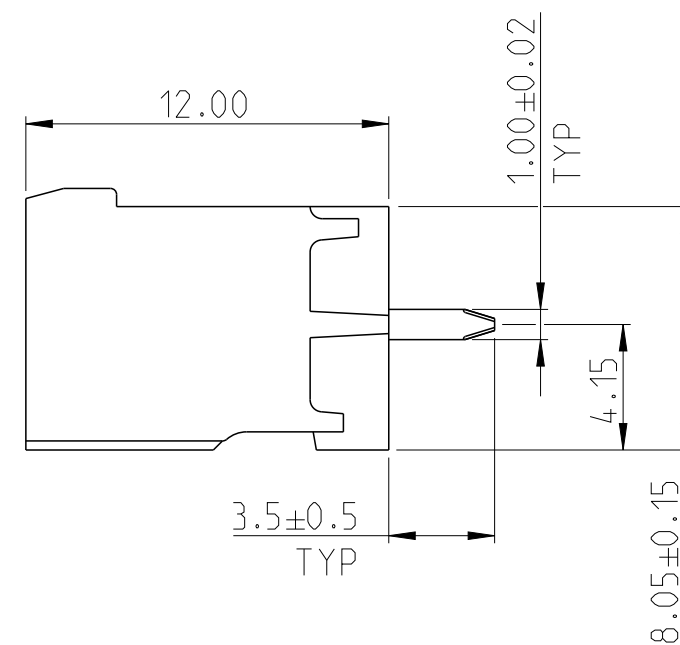
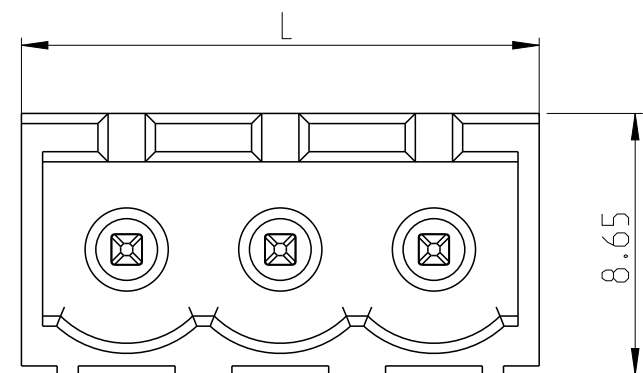


THIS DRAWING IS UNPUBLISHED. RELEASED FOR PUBLICATION 20
 © COPYRIGHT 20 Tyco Electronics AMP GmbH ALL RIGHTS RESERVED.

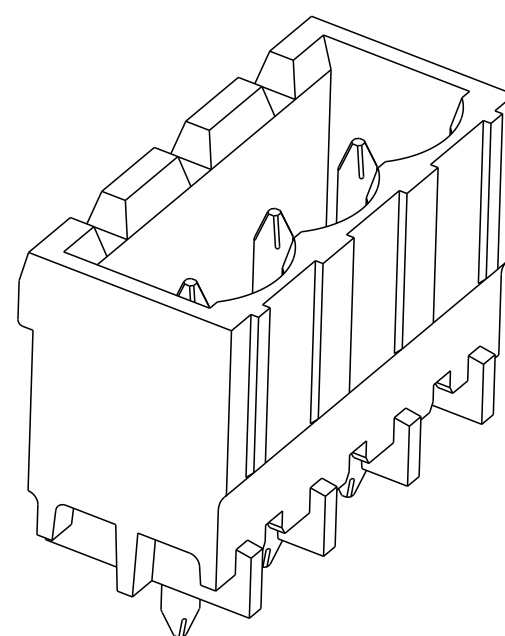
REVISIONS				
P	LTR	DESCRIPTION	DATE	DWN APVD
03		REVISED PER ECO-12-007711	26APR2012	KH MS
A		ADDITION OF P/N 2-1776147-8	25OCT2016	FP NG

NOTES

- MATERIALS AND FINISH:
 HOUSING : HIGH TEMPERATURE POLYAMIDE, UL 94V-0 RATED,
 COLOR : BLACK.
 TERMINAL : COPPER ALLOY, TIN PLATED.
 - MECHANICAL
 MAX. INSERTION FORCE PER HOLE : 3N
 MIN. WITHDRAWAL FORCE PER HOLE: 1.5N
 MIN. PCB HOLE DIA : 1.4mm
 MAX. PCB THICKNESS : 2.4mm
 - ELECTRICAL
 WIRE RANGE : 24 - 16 AWG
 MAX. VOLTAGE : 300 V
 MAX CURRENT : 15 A
 CONTACT RESISTANCE : <15 m Ohm
 INSULATION RESISTANCE : >1000 M Ohm (500V DC)
 - OPERATING TEMPERATURE RANGE: -40 °C TO +110 °C
 - RECOGNIZED UNDER THE COMPONENT PROGRAM OF UNDERWRITERS LABORATORIES INC. FILE N° E60677.
- 6 TOLERANCE NOT CUMULATIVE.
 7 TAPE AND REELED PACKAGED
 8 PRELIMINARY PART - NOT RELEASED FOR PRODUCTION.



RECOMMENDED PC BOARD LAYOUT



-3 AS SHOWN

7	42.52±0.15	8	2-1776147-8
8 7	22.20±0.10	4	2-1776147-4
8	62.84±0.20	12	1-1776147-2
8	57.76±0.20	11	1-1776147-1
8	52.68±0.20	10	1-1776147-0
8	47.60±0.15	9	1776147-9
	42.52±0.15	8	1776147-8
	37.44±0.15	7	1776147-7
	32.36±0.15	6	1776147-6
	27.28±0.10	5	1776147-5
	22.20±0.10	4	1776147-4
	17.12±0.10	3	1776147-3
	12.04±0.10	2	1776147-2
	DIM L	NO OF POSN	PART NUMBER

THIS DRAWING IS A CONTROLLED DOCUMENT.		DWN S. WELDON 07 JUN 2005	TE Connectivity	
DIMENSIONS: mm		CHK C. RICHARD 07 JUN 2005		
TOLERANCES UNLESS OTHERWISE SPECIFIED:		APVD C. RICHARD 07 JUN 2005	NAME	
0 PLC ±		PRODUCT SPEC	TERMINAL BLOCK HEADER ASSEMBLY, 180 DEGREE, CLOSED ENDS, 5.08mm PITCH	
1 PLC ±0.5		APPLICATION SPEC	SIZE	RESTRICTED TO
2 PLC ±0.25			A2	
3 PLC ±		WEIGHT	CAGE CODE	
4 PLC ±			00779	
ANGLES ±		CUSTOMER DRAWING	DRAWING NO	
FINISH			C-1776147	
SEE NOTES		SCALE	4:1	SHEET 1 OF 1
				REV A

Mouser Electronics

Authorized Distributor

Click to View Pricing, Inventory, Delivery & Lifecycle Information:

[TE Connectivity:](#)

[1776147-2](#)