

# MICRO SWITCH

FREEPORT ILLINOIS, U.S.A  
A DIVISION OF HONEYWELL  
FED. MFG. CODE 91929

# SWITCH - BASIC

CATALOG LISTING  
**V3L-389**  
CQ-E0265

V3L-389

M

DRAWING NUMBER

ISSUE  
X 5  
X 5

REPLACES

RELEASE NO. PR-1876

CHECK

26 APR 04

AK

CHECK

11 MAY 71

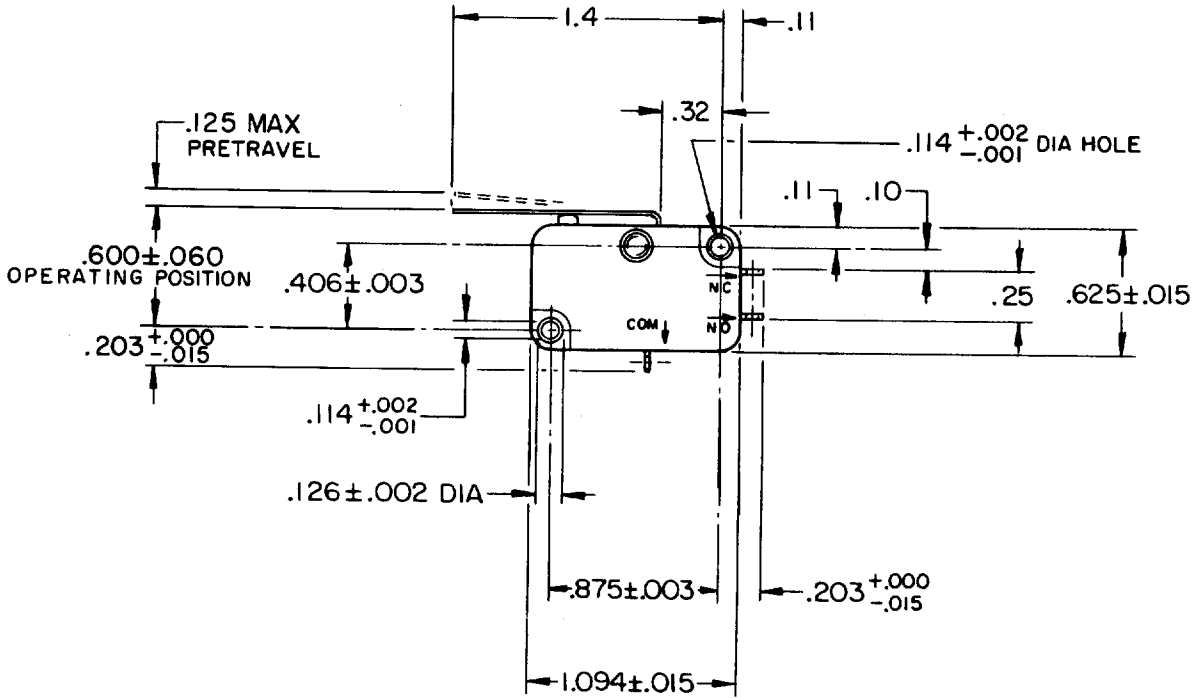
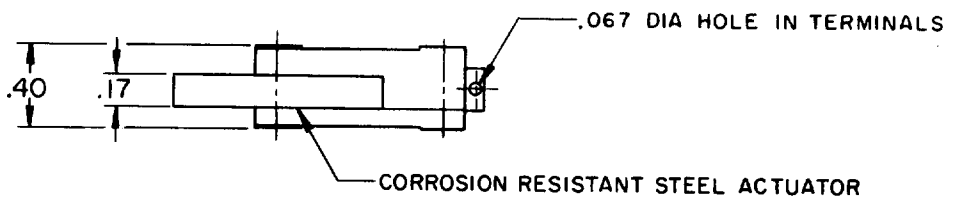
DRAW

CHECK

10 MAY 71

DRAW

FO-50378-1A



NOTE -  
1 - TERMINALS ARE SOLDER PLATED

THIS DRAWING COVERS A PROPRIETARY ITEM AND IS THE PROPERTY OF MICRO SWITCH, A DIVISION OF HONEYWELL. THIS DRAWING IS NOT TO BE COPIED OR USED WITHOUT THE APPROVAL OF MICRO SWITCH.

CHARACTERISTICS	
OPERATING FORCE	----- 4 OZ MAX
RELEASE FORCE	----- 1/2 OZ MIN
DIFFERENTIAL TRAVEL	----- .050 MAX
OVERTRAVEL	----- .090 MIN
RELEASE TRAVEL	----- .017 MIN

ELECTRICAL DATA	
CONTACT ARRANGEMENT S P D T	
- L156 - 11A-1/3HP-125-250-277 VAC 1/2A-125 VDC; 1/4A-250 VDC 4A-125 VAC "L"	

SCALE FULL	
DO NOT SCALE PRINT	
UNLESS OTHERWISE NOTED	
DIMENSIONS ARE IN INCHES	
<b>TOLERANCES ARE:</b>	
ONE PLACE	(.0) ±.030
TWO PLACE	(.00) ±.015
THREE PLACE	(.000) ±.005
ANGLES	±
WEIGHT	

# Mouser Electronics

Authorized Distributor

Click to View Pricing, Inventory, Delivery & Lifecycle Information:

[Honeywell:](#)

[V3L-389](#)