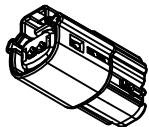
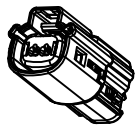


SHEET DESCRIPTION

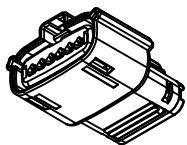
CONFIGURATIONS



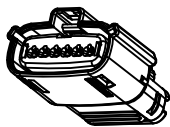
1x2 - STD



1x2 - UL V0*



1x6 - STD



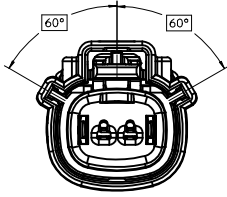
1x6 - UL V0*

*MINOR GEOMETRY DIFFERENCE THAN STANDARD CONFIGURATION
SEE NOTES 1 & 2 FOR MORE INFORMATION

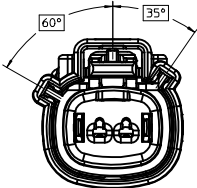
ENTER DESCRIPTION EC NO: UAU2016-1641 DRAWN BY: DRW:NBANG CHKD: CHYD: APPR:KDEKOSKI 2016/06/14 2016/06/14	QUALITY SYMBOLS ▽=0 ▽=0 ▽=0	GENERAL TOLERANCES (UNLESS SPECIFIED)		DIMENSION STYLE MM ONLY		SCALE 1.5:1	DESIGN UNITS METRIC	THIRD ANGLE PROJECTION		
		4 PLACES ± --- ± ---	3 PLACES ± --- ± ---	2 PLACES ± 0.10 ± ---	1 PLACE ± 0.2 ± ---	0 PLACE ± --- ± ---	DRAWN BY: APROFFITT DATE: 2015/11/04	CHECKED BY:	DATE:	TITLE MX150 RCPT SINGLE ROW SEALED ASSY MAT SEAL
		ANGULAR ± 1 °		DRAFT WHERE APPLICABLE MUST REMAIN WITHIN DIMENSIONS		APPROVED BY: KDEKOSKI DATE: 2016/06/14	MATERIAL NO.	DOCUMENT NO. SD-33471-0001	SHEET NO. 2 OF 8	
		SEE NOTE 2a.				THIS DRAWING CONTAINS INFORMATION THAT IS PROPRIETARY TO MOLEX INCORPORATED AND SHOULD NOT BE USED WITHOUT WRITTEN PERMISSION				

SHEET DESCRIPTION
KEY CONFIGURATIONS

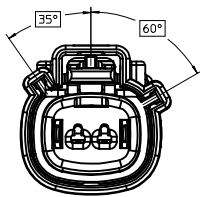
1X2



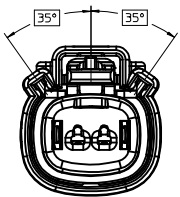
KEY A



KEY B



KEY C



KEY D

ENTER DESCRIPTION
EC NO: UAU2016-1641
DRAWN BY: TANG
CHKD: CHYK
APPR: KDEKOSKI
DATE: 2016/05/10
DATE: 2016/06/14

REV	DESCRIPTION
▽=0	
▽=0	
▽=0	

GENERAL TOLERANCES (UNLESS SPECIFIED)	
mm	INCH
4 PLACES ± ---	± ---
3 PLACES ± ---	± ---
2 PLACES ± 0.10	± ---
1 PLACE ± 0.2	± ---
0 PLACE ± ---	± ---
ANGULAR ± 1 °	

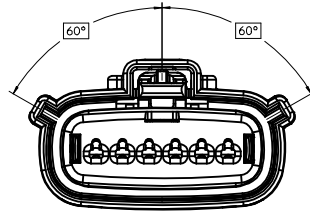
DIMENSION STYLE	
MM ONLY	
DRAWN BY	DATE
APPROFFITT	2015/11/04
CHECKED BY	DATE
APPROVED BY	DATE
KDEKOSKI	2016/06/14
MATERIAL NO.	
SEE NOTE 2a.	

SCALE	DESIGN UNITS	THIRD ANGLE PROJECTION
3:1	METRIC	THIRD ANGLE PROJECTION
TITLE		
MX150 RCPT SINGLE ROW SEALED ASSY MAT SEAL		
DOCUMENT NO.		
SD-33471-0001		
SHEET NO.		
3 OF 8		

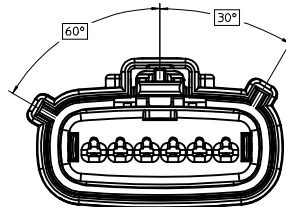
THIS DRAWING CONTAINS INFORMATION THAT IS PROPRIETARY TO MOLEX INCORPORATED AND SHOULD NOT BE USED WITHOUT WRITTEN PERMISSION

SHEET DESCRIPTION
KEY CONFIGURATIONS CONT.

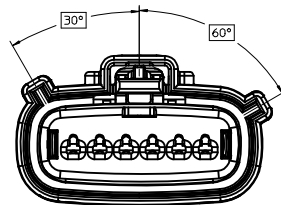
1X6



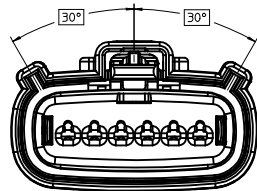
KEY A



KEY B



KEY C



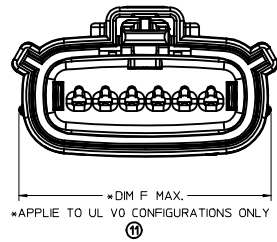
KEY D

ENTER DESCRIPTION EC NO: UAU2016-1641 DWN:ABTANG 2016/05/10 CHKD: APPR:KDEKOSKI 2016/06/14	QUALITY SYMBOLS ▽=0 ▽=0 ▽=0	GENERAL TOLERANCES (UNLESS SPECIFIED)		DIMENSION STYLE MM ONLY		SCALE 3:1	DESIGN UNITS METRIC	THIRD ANGLE PROJECTION	
		4 PLACES ± --- ± --- 3 PLACES ± --- ± --- 2 PLACES ± 0.10 ± --- 1 PLACE ± 0.2 ± --- 0 PLACE ± --- ± ---	mm INCH ± --- ± --- ± 0.10 ± --- ± 0.2 ± --- ± --- ± ---	DRAWN BY APPROFFITT	DATE 2015/11/04	TITLE MX150 RCPT SINGLE ROW SEALED ASSY MAT SEAL		DOCUMENT NO. SD-33471-0001	
ANGULAR ± 1 ° DRAFT WHERE APPLICABLE MUST REMAIN WITHIN DIMENSIONS		APPROVED BY KDEKOSKI		DATE 2016/06/14		MATERIAL NO. SEE NOTE 2a.		THIS DRAWING CONTAINS INFORMATION THAT IS PROPRIETARY TO MOLEX INCORPORATED AND SHOULD NOT BE USED WITHOUT WRITTEN PERMISSION	

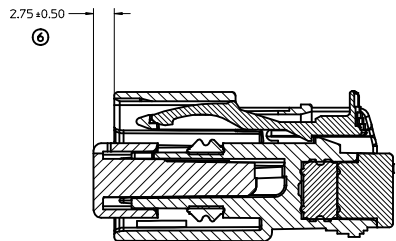
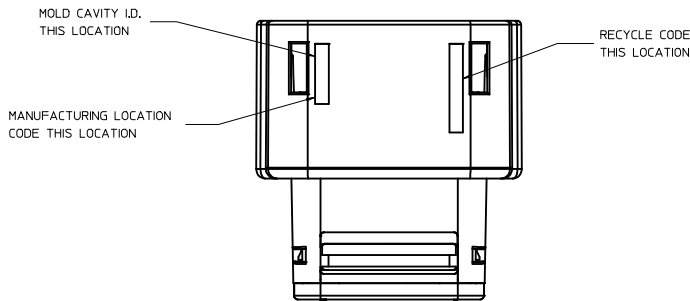
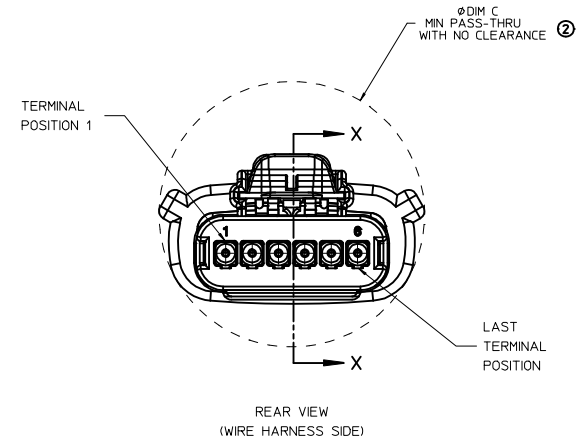
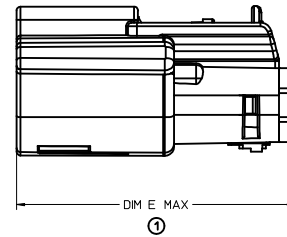
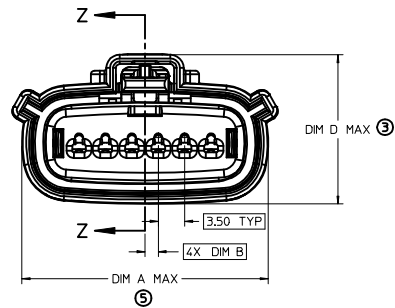
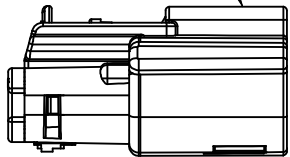
SHEET DESCRIPTION

RECEPTACLE CONNECTOR ASSEMBLY - STD

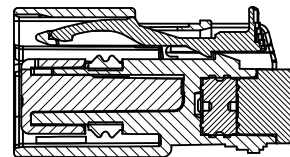
CHARTED DIMENSIONS						
DESCRIPTION	DIMENSIONS					
	A	B	C	D	E	F
1X2	19.40	1.75	21.73	20.55	37.65	19.64
1X6	32.75	1.75	35.21	19.90	37.65	N/A
1X6 UL V0	N/A	1.75	35.23	19.90	37.65	33.64



LASER MARKING ON THIS SURFACE
SEE NOTE 3g.



PRIMARY LOCK REINFORCEMENT (PLR) SHOWN
IN PRE-STAGED POSITION
SECTION Z-Z



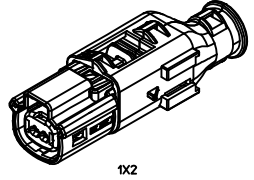
PRIMARY LOCK REINFORCEMENT (PLR) SHOWN
IN FINAL-LOCK POSITION
SECTION X-X

ENTER DESCRIPTION IEC NO: UAU2016-1641 DRYNABTANG 2016/05/10 CHYK: APPR:KDEKOSKI 2016/06/14	QUALITY SYMBOLS ∇=0 ∇=0 ∇=0	GENERAL TOLERANCES (UNLESS SPECIFIED)		DIMENSION STYLE MM ONLY		SCALE 3:1	DESIGN UNITS METRIC	THIRD ANGLE PROJECTION	
		4 PLACES ± --- ± ---	3 PLACES ± --- ± ---	2 PLACES ± 0.10 ± ---	1 PLACE ± 0.2 ± ---	0 PLACE ± --- ± ---	DRAWN BY APROFFITT DATE 2015/11/04	CHECKED BY DATE	TITLE MX150 RCPT SINGLE ROW SEALED ASSY MAT SEAL
		ANGULAR ± 1°		DRAFT WHERE APPLICABLE MUST REMAIN WITHIN DIMENSIONS		MATERIAL NO. SEE NOTE 2a.	APPROVED BY KDEKOSKI DATE 2016/06/14	DOCUMENT NO. SD-33471-0001	SHEET NO. 5 OF 8
		THIS DRAWING CONTAINS INFORMATION THAT IS PROPRIETARY TO MOLEX INCORPORATED AND SHOULD NOT BE USED WITHOUT WRITTEN PERMISSION							

SHEET DESCRIPTION
BACKSHELL NOTES

BACKSHELL NOTES: VALID UNLESS OTHERWISE SPECIFIED

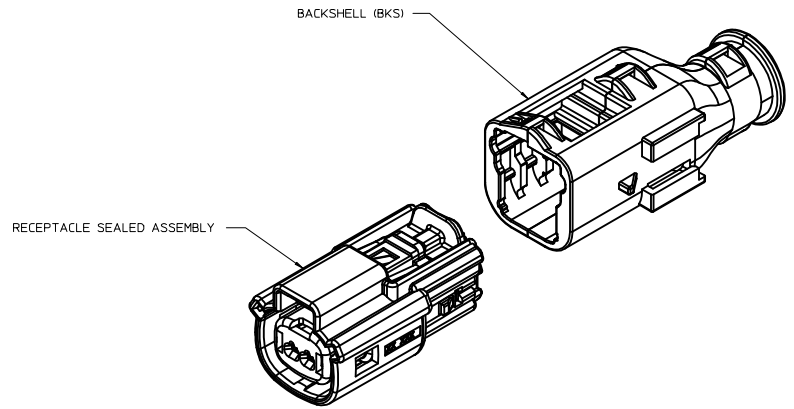
1. GENERAL:
 a. APPLICATION SPECIFICATION SEE: AS-34951-001
 -DESIGNED TO MATE WITH RECEPTACLE SEALED ASSEMBLY SPECIFIED IN MOLEX DRAWING SD-33471-0001.
 -SYSTEM TO BE USED WITH WIRE WITHIN DIAMETER RANGE OF 1.2mm TO 2.69mm.
 -COMPONENTS ARE OPTIONAL AND MUST BE PURCHASED SEPERATELY.
 -BACKSHELL DESIGN IS OWNED BY SCHLEMMER.
 -FOR ADDITIONAL INFORMATION SEE THE BACKSHELL COMPONENT DRAWING SD-34949-0001.



1X2

BACKSHELL CUSTOMER MODEL NUMBER LEGEND

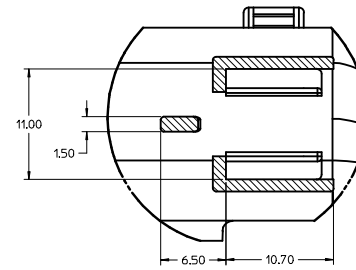
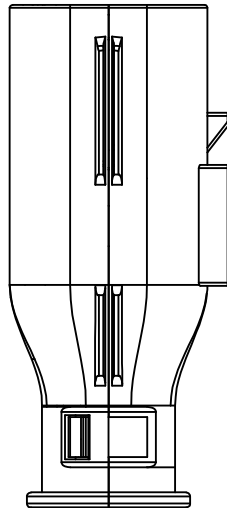
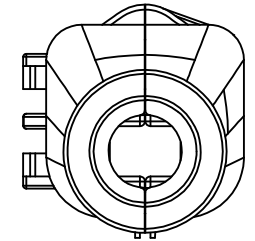
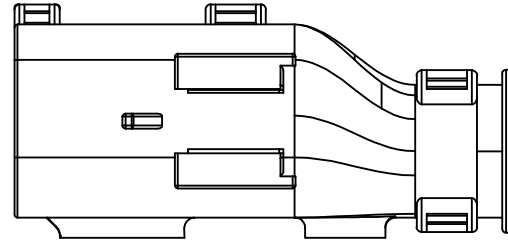
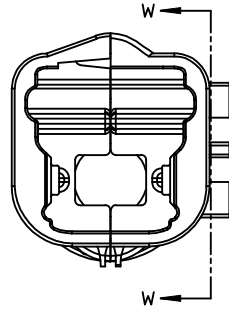
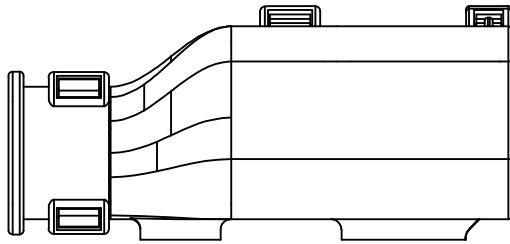
- 34949-XXXX
- CUSTOMER MODEL COMPONENTS
 - 0 - BACKSHELL ONLY
 - 1 - BACKSHELL & MX150 HOUSING KEY A ASSEMBLY
 - 2 - BACKSHELL & MX150 HOUSING KEY B ASSEMBLY
 - 3 - BACKSHELL & MX150 HOUSING KEY C ASSEMBLY
 - 4 - BACKSHELL & MX150 HOUSING KEY D ASSEMBLY
 - BACKSHELL FEATURES
 - 1 - WITH RIBS
 - 2 - WITHOUT RIBS
 - MX150 CIRCUIT SIZE 02, 03, 04, 05, 06



ENTER DESCRIPTION EC NO: UAUZ016-1641 DRWNR:BIANG 2016/05/10 CHKD: APPR:KDEKOSKI 2016/06/14 REV: A	QUALITY SYMBOLS	GENERAL TOLERANCES (UNLESS SPECIFIED)	DIMENSION STYLE MM ONLY	SCALE 4:1	DESIGN UNITS METRIC	THIRD ANGLE PROJECTION
	∇=0 ∇=0 ∇=0	4 PLACES ± --- ± ---	DRAWN BY DATE APROFFITT 2015/11/04	TITLE MX150 RCPT SINGLE ROW SEALED ASSY MAT SEAL molex DOCUMENT NO. SD-33471-0001 SHEET NO. 6 OF 8		
		3 PLACES ± --- ± ---	CHECKED BY DATE			
		2 PLACES ± 0.10 ± ---	APPROVED BY DATE KDEKOSKI 2016/06/14			
	1 PLACE ± 0.2 ± ---	ANGULAR ± 1 °	SEE NOTE 2a. THIS DRAWING CONTAINS INFORMATION THAT IS PROPRIETARY TO MOLEX INCORPORATED AND SHOULD NOT BE USED WITHOUT WRITTEN PERMISSION			
	0 PLACE ± --- ± ---	DRAFT WHERE APPLICABLE MUST REMAIN WITHIN DIMENSIONS				

SHEET DESCRIPTION

BACKSHELL

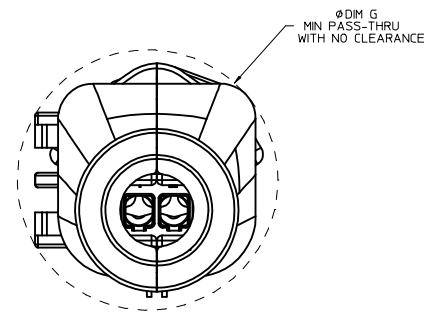
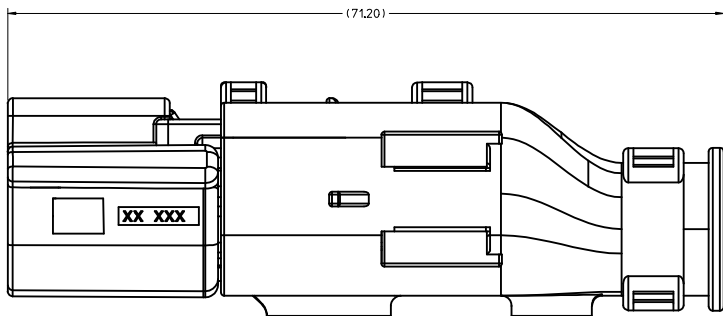


Partial W-W
SCALE 4:1

ENTER DESCRIPTION EC NO: UA02016-1641 DRWN: BTANG 2016/05/10 CHKD: APPR: KDEKOSKI 2016/06/14	QUALITY SYMBOLS ∇=0 ∇=1 ∇=2 ∇=3	GENERAL TOLERANCES (UNLESS SPECIFIED) mm INCH 4 PLACES ± --- ± --- 3 PLACES ± --- ± --- 2 PLACES ± 0.10 ± --- 1 PLACE ± 0.2 ± --- 0 PLACE ± --- ± --- ANGULAR ± 1° DRAFT WHERE APPLICABLE MUST REMAIN WITHIN DIMENSIONS	DIMENSION STYLE MM ONLY DRAWN BY DATE APPROFFITT 2015/11/04 CHECKED BY DATE APPROVED BY DATE KDEKOSKI 2016/06/14 MATERIAL NO. SEE NOTE 2a.	SCALE 4:1 DESIGN UNITS METRIC THIRD ANGLE PROJECTION	TITLE MX150 RCPT SINGLE ROW SEALED ASSY MAT SEAL molex DOCUMENT NO. SD-33471-0001	SHEET NO. 7 OF 8
	REV A	DESCRIPTION	THIS DRAWING CONTAINS INFORMATION THAT IS PROPRIETARY TO MOLEX INCORPORATED AND SHOULD NOT BE USED WITHOUT WRITTEN PERMISSION	SIZE A1	SHEET NO.	SHEET NO.

SHEET DESCRIPTION
BACKSHELL CONFIGURATIONS

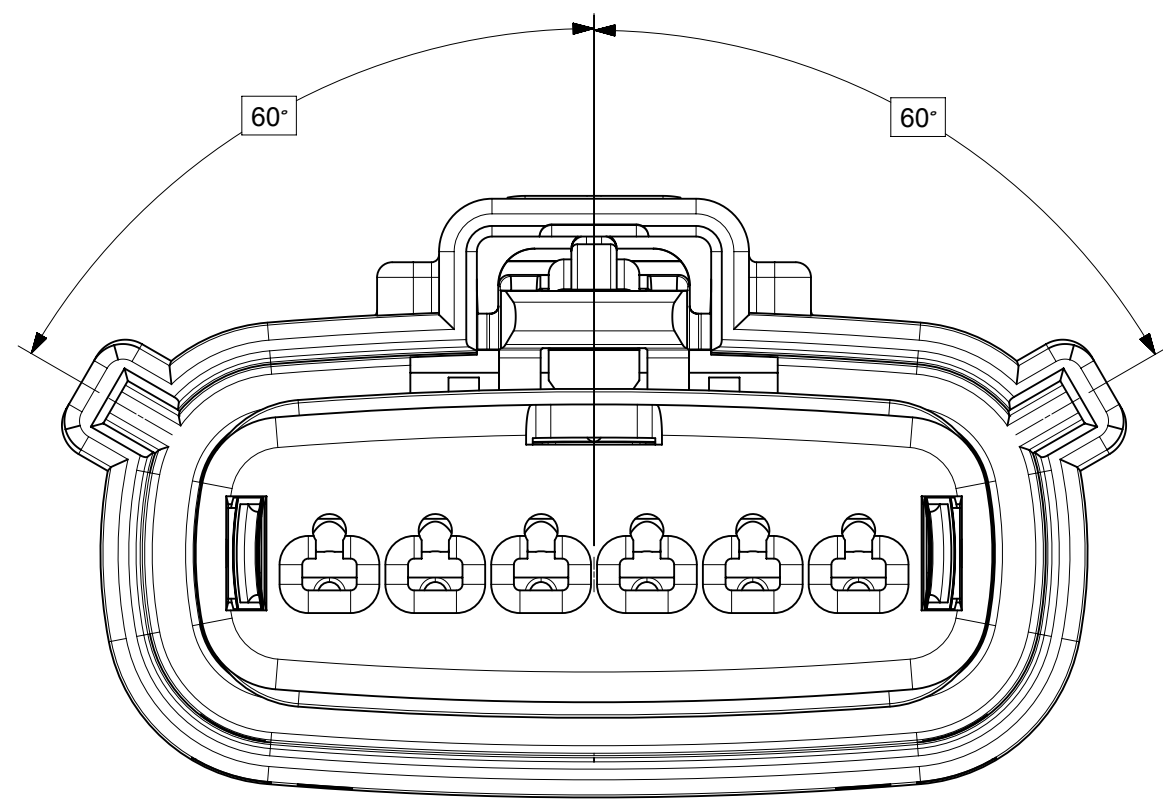
CHARTED DIMENSIONS	
DESCRIPTION	DIMENSIONS
1X2	G
	26.00



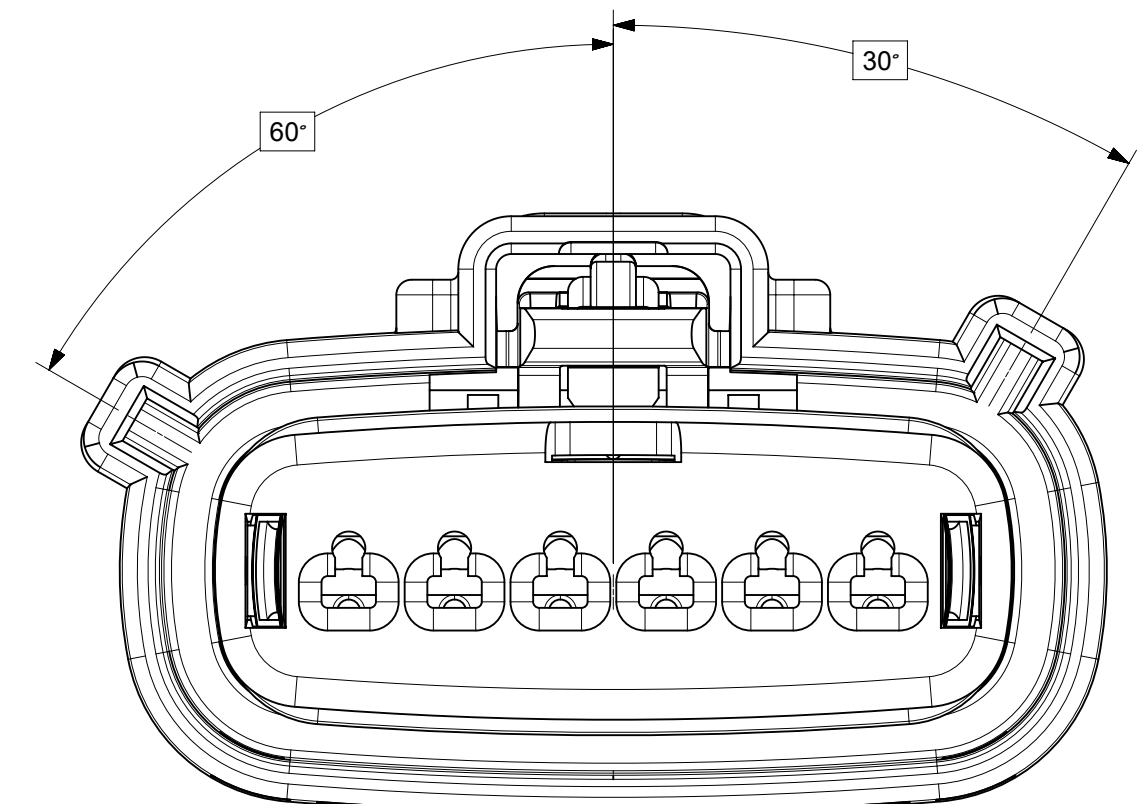
RECEPTACLE SEALED ASSEMBLY WITH RECEPTACLE BACKSHELL

ENTER DESCRIPTION EC NO: UAU2016-1641 DRWN: BTANG 2016/05/10 CHKD: A APPR: KDEKOSKI 2016/06/14	QUALITY SYMBOLS ∇=0 ∇=0 ∇=0 ∇=0	GENERAL TOLERANCES (UNLESS SPECIFIED)		DIMENSION STYLE MM ONLY		SCALE 4:1	DESIGN UNITS METRIC	THIRD ANGLE PROJECTION
		4 PLACES ± --- ± --- 3 PLACES ± --- ± --- 2 PLACES ± 0.10 ± --- 1 PLACE ± 0.2 ± --- 0 PLACE ± --- ± ---	mm INCH	DRAWN BY APPROFFITT DATE 2015/11/04	CHECKED BY DATE	TITLE MX150 RCPT SINGLE ROW SEALED ASSY MAT SEAL		
		ANGULAR ± 1 °		APPROVED BY KDEKOSKI DATE 2016/06/14	MATERIAL NO. SEE NOTE 2a.		DOCUMENT NO. SD-33471-0001	SHEET NO. 8 OF 8
		DRAFT WHERE APPLICABLE MUST REMAIN WITHIN DIMENSIONS		THIS DRAWING CONTAINS INFORMATION THAT IS PROPRIETARY TO MOLEX INCORPORATED AND SHOULD NOT BE USED WITHOUT WRITTEN PERMISSION				

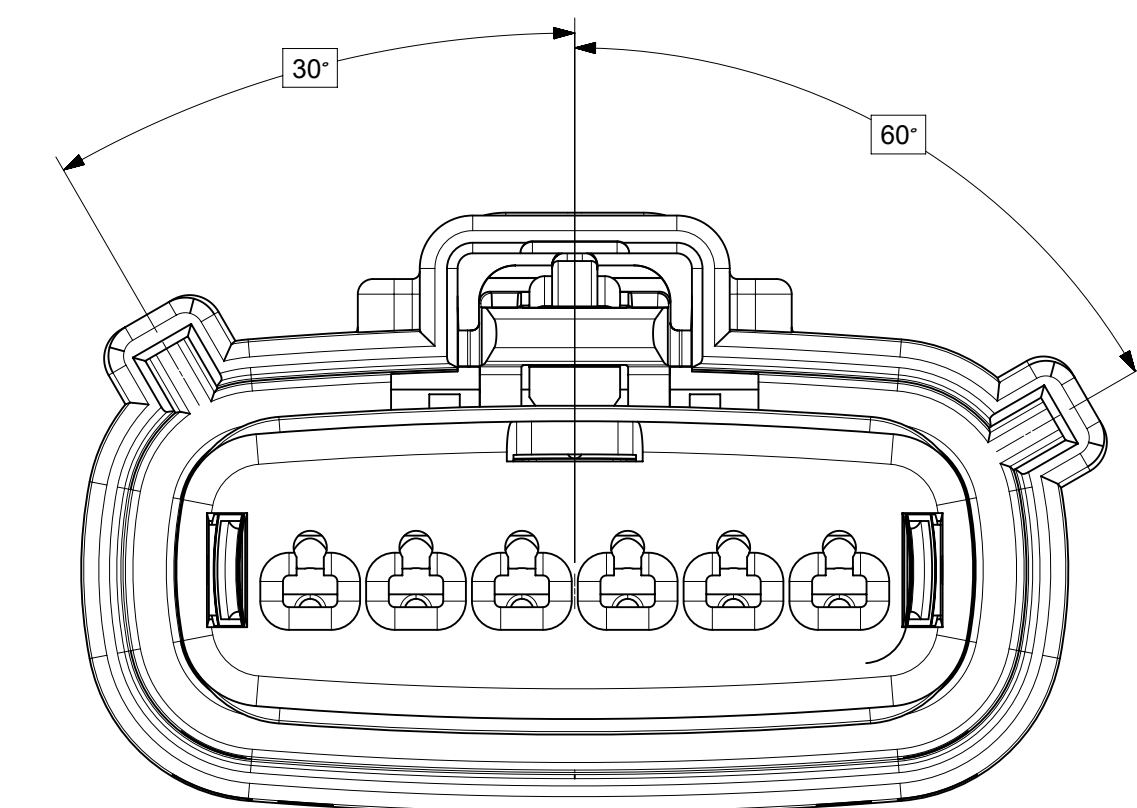
SHEET DESCRIPTION
POLARIZATIONS



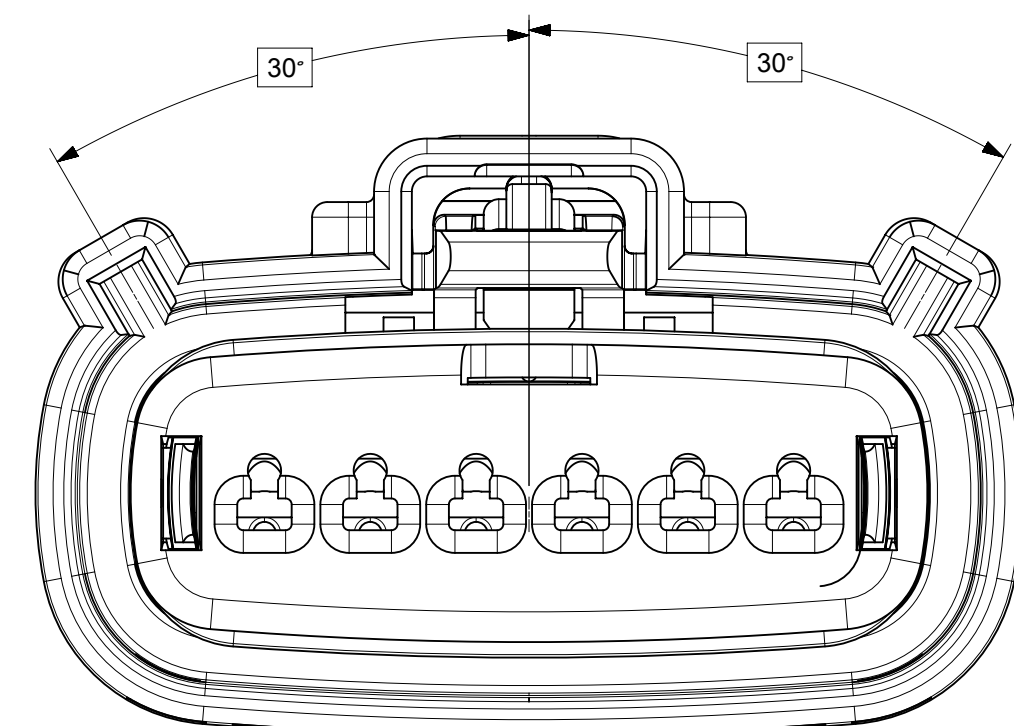
KEY A



KEY B



KEY C



KEY D

SYMBOLS	THIS DRAWING CONTAINS INFORMATION THAT IS PROPRIETARY TO MOLEX ELECTRONIC TECHNOLOGIES, LLC AND SHOULD NOT BE USED WITHOUT WRITTEN PERMISSION		
	DIMENSION UNITS	SCALE	CURRENT REV DESC:
▽ = 0	mm	4:1	EC NO: 614171 DRWN: DBARTHLOW 2019/04/08 CHK'D: MVANSLAMBROU 2019/04/12 APPR: MVANSLAMBROU 2019/04/12 INITIAL REVISION: DRWN: DGRIFITHS 2005/08/26 APPR: smarceau 2005/08/29
▽ = 0	GENERAL TOLERANCES (UNLESS SPECIFIED)		
▽ = 0	ANGULAR TOL ± 3.0°		
▽ = 0	4 PLACES	±	
▽ = 0	3 PLACES	±	
▽ = 0	2 PLACES	± 0.1	
▽ = 0	1 PLACE	± 0.3	
▽ = 0	0 PLACES	±	
▽ = 0	DRAFT WHERE APPLICABLE MUST REMAIN WITHIN DIMENSIONS	THIRD ANGLE PROJECTION	DRAWING SERIES
▽ = 0			D-SIZE 33471
DOCUMENT STATUS		DOC TYPE	DOC PART
P1	RELEASE DATE	2019/04/12	23:27:03
DOCUMENT NUMBER		MATERIAL NUMBER	CUSTOMER
SD-33471-061		PSD	001 U4
PRODUCT CUSTOMER DRAWING		SHEET NUMBER	
GENERAL MARKET		2 OF 6	

molex

MX150 1X6 RECEPTACLE
SEALED ASSEMBLY MAT SEAL

PRODUCT CUSTOMER DRAWING

DOCUMENT NUMBER DOC TYPE DOC PART REVISION

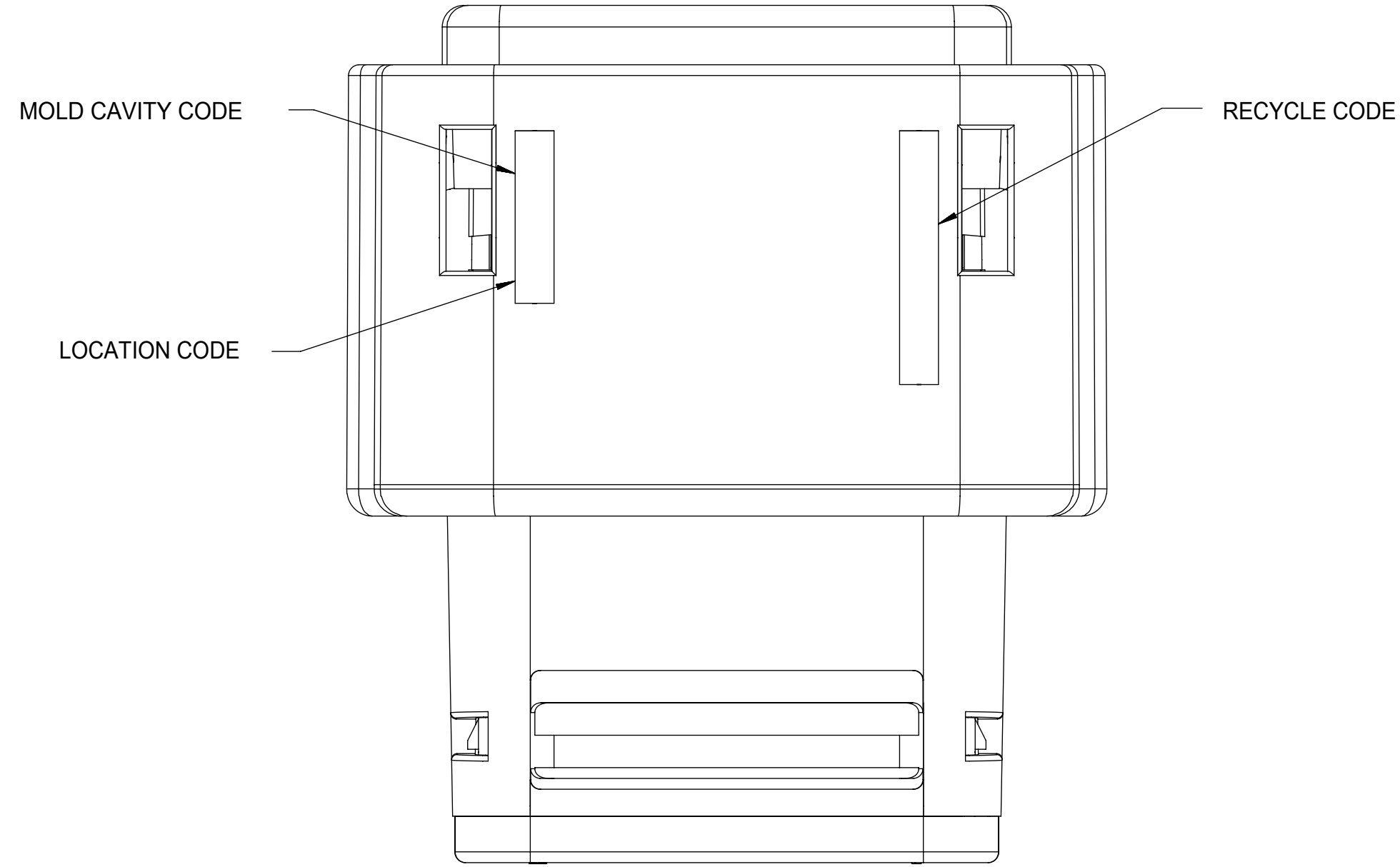
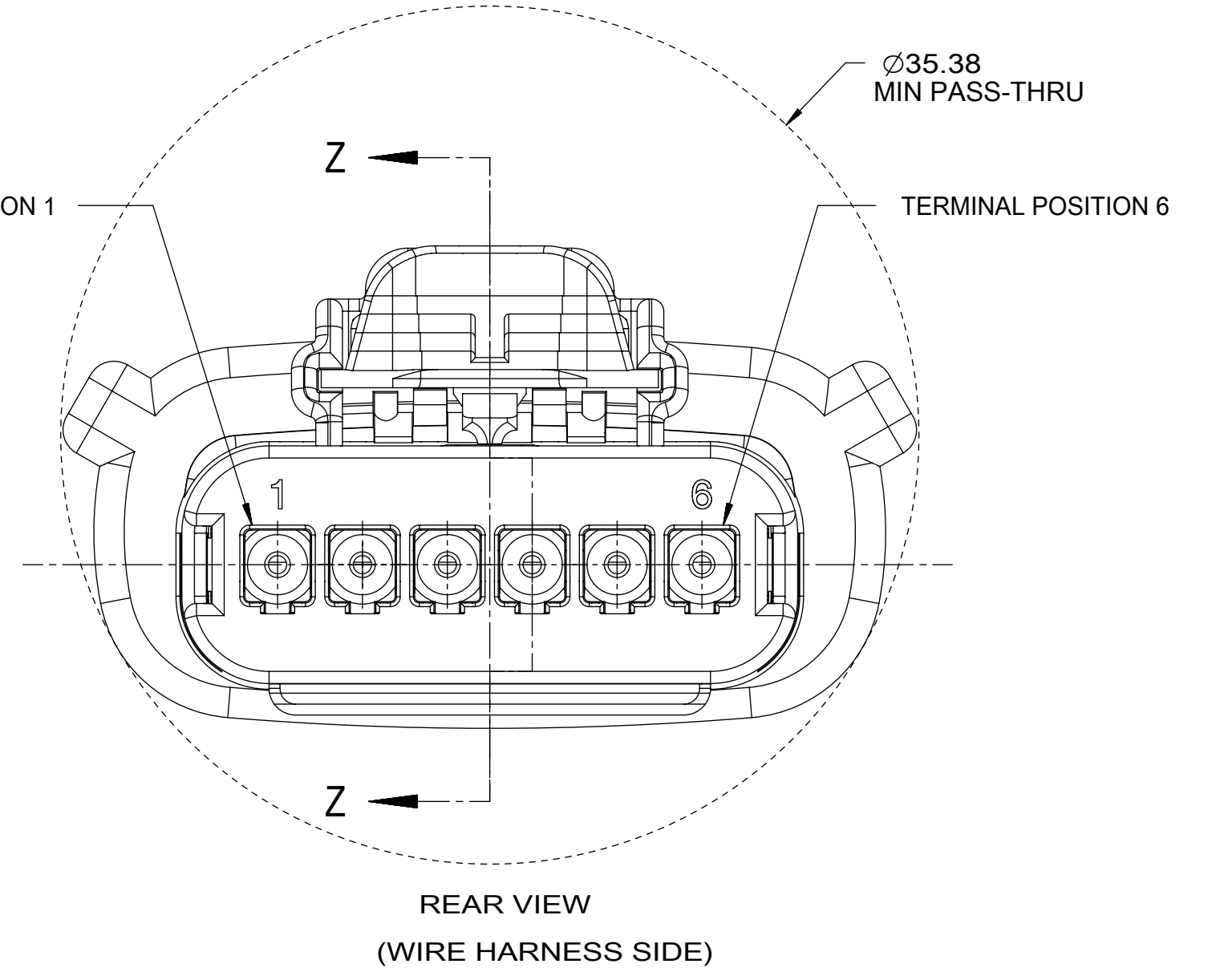
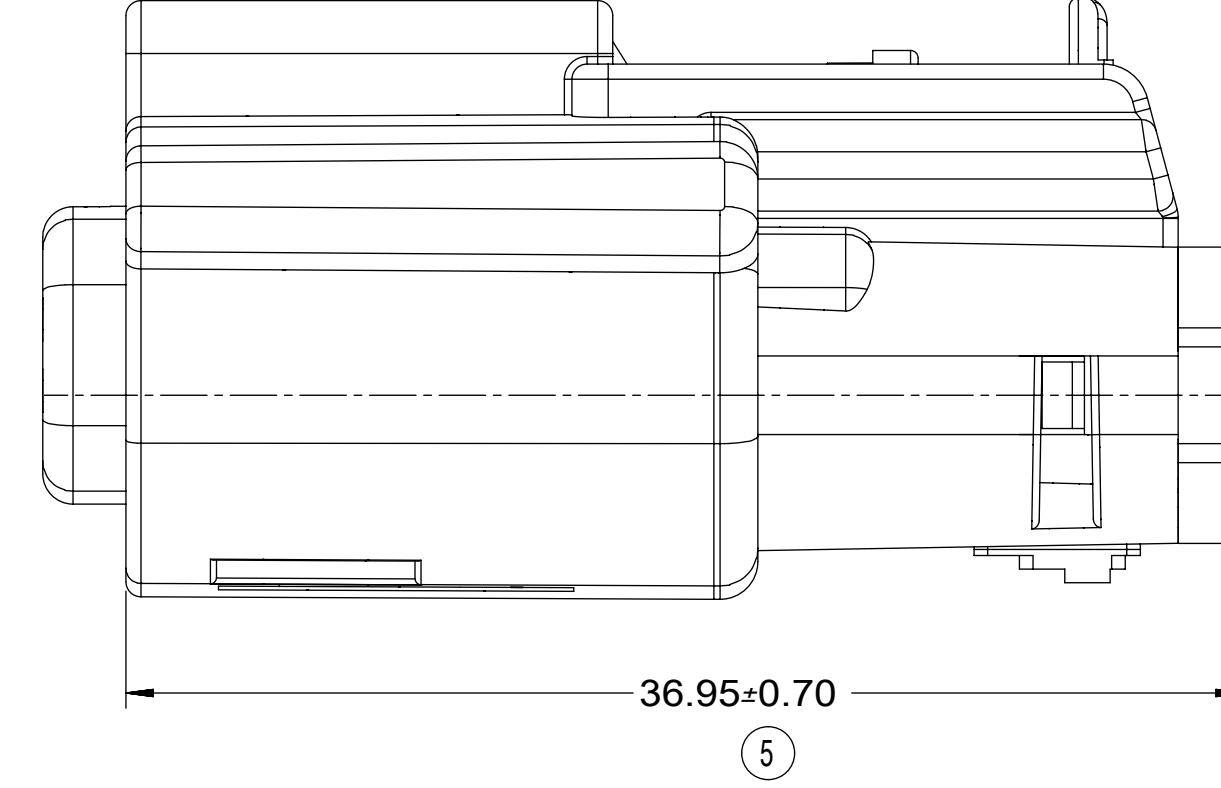
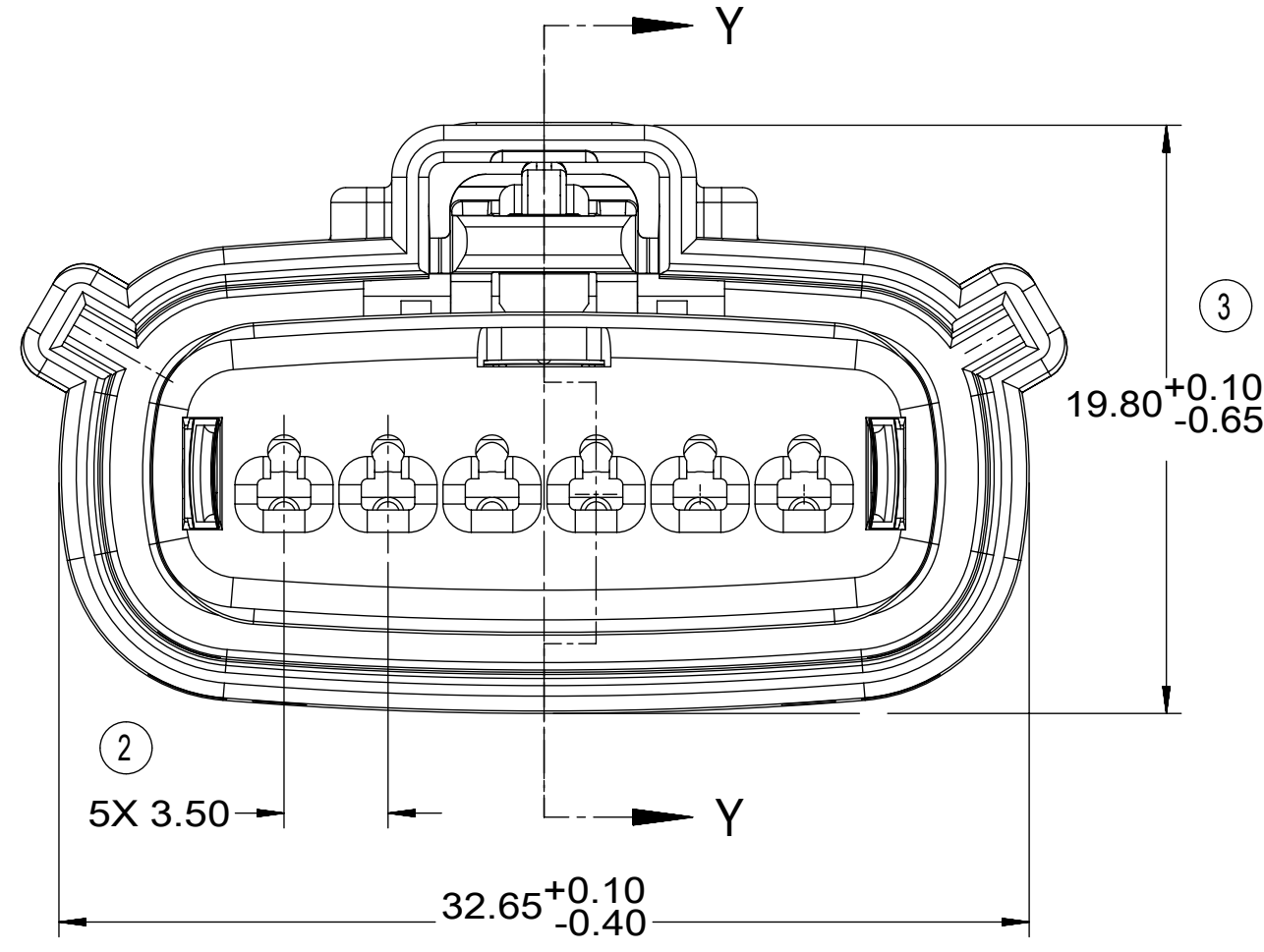
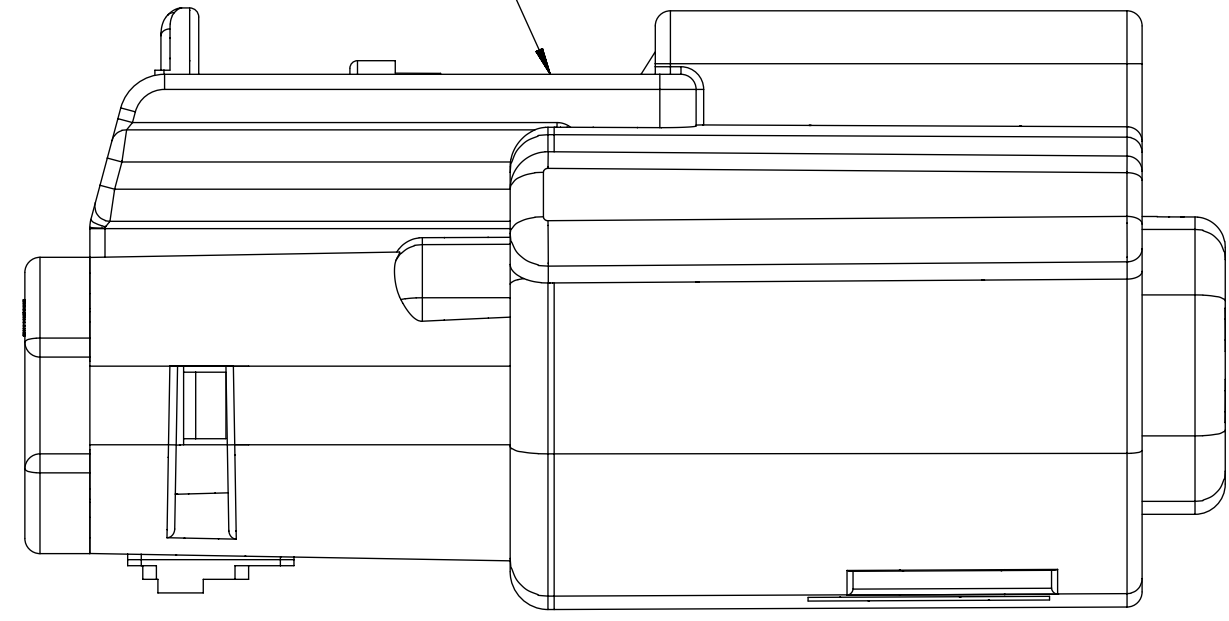
SD-33471-061 PSD 001 U4

MATERIAL NUMBER CUSTOMER SHEET NUMBER

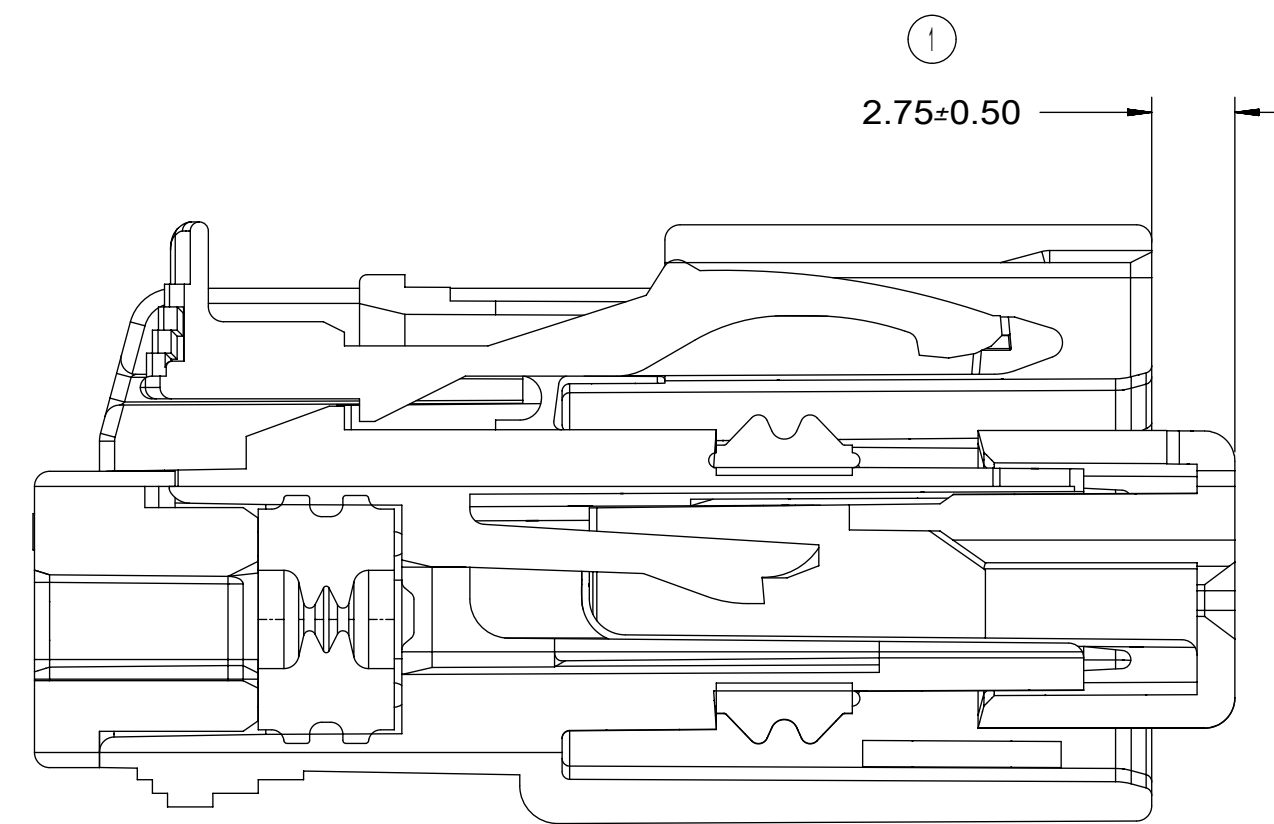
GENERAL MARKET 2 OF 6

SHEET DESCRIPTION
RCPT CONNECTOR ASSY

LASER MARKING THIS SURFACE
SEE NOTE 3g.

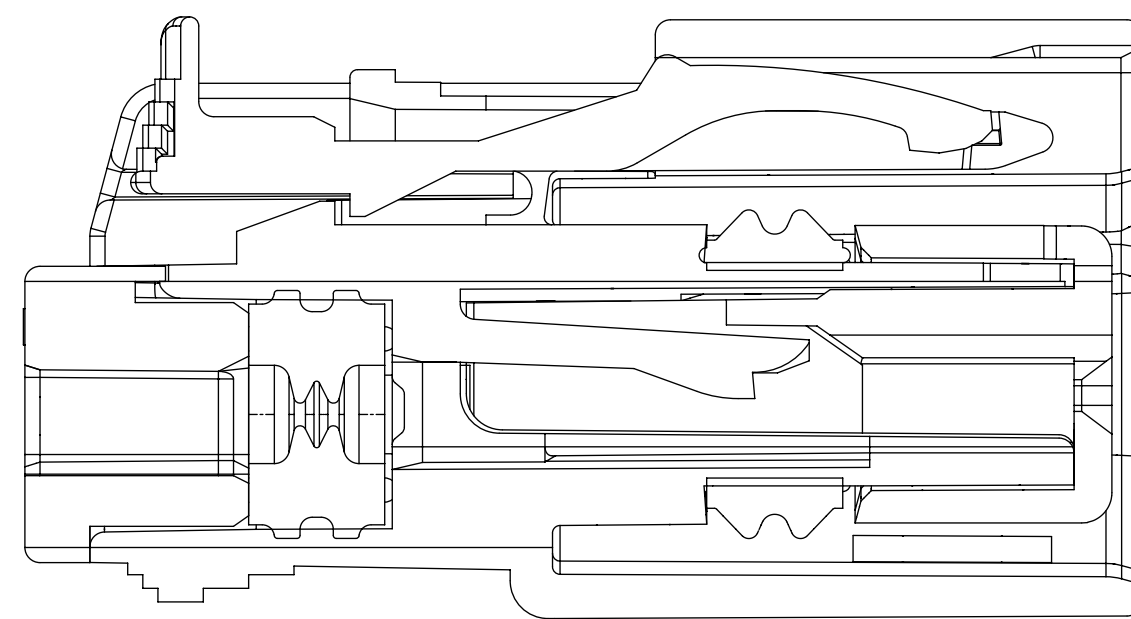


Bottom1



PRIMARY LOCK REINFORCEMENT (PLR) SHOWN
IN PRE-STAGED POSITION

SECTION Z-Z



PRIMARY LOCK REINFORCEMENT (PLR) SHOWN
IN FINAL-LOCK POSITION

SECTION Y-Y

SYMBOLS	THIS DRAWING CONTAINS INFORMATION THAT IS PROPRIETARY TO MOLEX ELECTRONIC TECHNOLOGIES, LLC AND SHOULD NOT BE USED WITHOUT WRITTEN PERMISSION		CURRENT REV DESC:					
	DIMENSION UNITS	SCALE						
▽ = 0	mm	4:1			MX150 1X6 RECEPTACLE SEALED ASSEMBLY MAT SEAL			
▽ = 0	GENERAL TOLERANCES (UNLESS SPECIFIED)							
▽ = 0	ANGULAR TOL ± 3.0°		EC NO: 614171		PRODUCT CUSTOMER DRAWING			
▽ = 0	4 PLACES	±	DRWN: DBARTHLOW	2019/04/08				
▽ = 0	3 PLACES	±	CHK'D: MVANSLAMBROU	2019/04/12	DOCUMENT NUMBER SD-33471-061			
▽ = 0	2 PLACES	± 0.1	APPR: MVANSLAMBROU	2019/04/12				
▽ = 0	1 PLACE	± 0.3	INITIAL REVISION:		DOC TYPE	DOC PART	REVISION	
▽ = 0	0 PLACES	±	DRWN: DGRIFITHS	2005/08/26	PSD	001	U4	
▽ = 0	DRAFT WHERE APPLICABLE MUST REMAIN WITHIN DIMENSIONS		THIRD ANGLE PROJECTION	DRAWING	SERIES	MATERIAL NUMBER	CUSTOMER	SHEET NUMBER
▽ = 0				D-SIZE	33471	GENERAL MARKET		3 OF 6

SHEET DESCRIPTION

BOM SHEET 2

ASSEMBLY PART NUMBER	COLOR	KEYING OPTION	CAVITY TYPE & STATUS (NUMBER PRESENT = PLUGGED)						CPA	STATUS	COMMENTS
			1	2	3	4	5	6			
33471-6601	BLACK	A							—	PLANNED OBSOLESCENCE	
33471-6606	BLACK	A							YES	PLANNED OBSOLESCENCE	

SYMBOLS	THIS DRAWING CONTAINS INFORMATION THAT IS PROPRIETARY TO MOLEX ELECTRONIC TECHNOLOGIES, LLC AND SHOULD NOT BE USED WITHOUT WRITTEN PERMISSION																
	DIMENSION UNITS		SCALE		CURRENT REV DESC:						molex						
	mm		1:1														
	▽ = 0		GENERAL TOLERANCES (UNLESS SPECIFIED)				EC NO: 614171 DRWN: DBARTHLOW 2019/04/08 CHK'D: MVANSLAMBROU 2019/04/12 APPR: MVANSLAMBROU 2019/04/12				PRODUCT CUSTOMER DRAWING						
	▽ = 0		ANGULAR TOL ± 3.0°														
	▽ = 0		4 PLACES ±		INITIAL REVISION: DRWN: DGRIFITHS 2005/08/26 APPR: smarceau 2005/08/29				DOCUMENT NUMBER		DOC TYPE		DOC PART		REVISION		
	▽ = 0		3 PLACES ±														
	▽ = 0		2 PLACES ± 0.1		SD-33471-061		PSD		001		U4						
	▽ = 0		1 PLACE ± 0.3														
	☒ = 0		0 PLACES ±		DRAFT WHERE APPLICABLE MUST REMAIN WITHIN DIMENSIONS		THIRD ANGLE PROJECTION		DRAWING		SERIES		MATERIAL NUMBER		CUSTOMER		SHEET NUMBER
■ = 0		DRAFT WHERE APPLICABLE MUST REMAIN WITHIN DIMENSIONS															
▽ = 0				D-SIZE		33471		GENERAL MARKET		5 OF 6							

SHEET DESCRIPTION

BOM SHEET 3

ASSEMBLY PART NUMBER	COLOR	KEYING OPTION	CAVITY TYPE & STATUS (NUMBER PRESENT = PLUGGED)						CPA	STATUS	COMMENTS
			1	2	3	4	5	6			
33471-6001	BLACK	A							---	SALEABLE	
33471-6002	LT.GRAY	B							---	SALEABLE	
33471-6003	BROWN	C							---	NOT RECOMMENDED	SEE P/N 33471-6059
33471-6004	GREEN	D							---	NOT RECOMMENDED	SEE P/N 33471-6060
33471-6005	YELLOW	A							---	SALEABLE	
33471-6006	BLACK	A							YES	SALEABLE	
33471-6007	LT.GRAY	B							YES	SALEABLE	
33471-6008	BROWN	C							YES	NOT RECOMMENDED	SEE P/N 33471-6061
33471-6009	GREEN	D							YES	NOT RECOMMENDED	SEE P/N 33471-6062
33471-6010	YELLOW	A							YES	SALEABLE	
33471-6011	BLACK	A							6	---	SALEABLE
33471-6012	LT.GRAY	B							6	---	SALEABLE
33471-6015	YELLOW	A							6	---	SALEABLE
33471-6016	BLACK	A							6	YES	SALEABLE
33471-6017	LT.GRAY	B							6	YES	SALEABLE
33471-6020	YELLOW	A							6	YES	SALEABLE
33471-6021	BLACK	A	1						6	---	SALEABLE
33471-6022	LT.GRAY	B	1						6	---	SALEABLE
33471-6025	YELLOW	A	1						6	---	SALEABLE
33471-6026	BLACK	A	1						6	YES	SALEABLE
33471-6027	LT.GRAY	B	1						6	YES	SALEABLE
33471-6030	YELLOW	A	1						6	YES	SALEABLE
33471-6031	BLACK	A	1	2	3	4	5	6	---	SALEABLE	
33471-6032	LT.GRAY	B	1	2	3	4	5	6	---	SALEABLE	
33471-6035	YELLOW	A	1	2	3	4	5	6	---	SALEABLE	
33471-6050	BLACK	A						5	6	---	SALEABLE
33471-6051	BLACK	A	1	2	3	4	5	6	YES	SALEABLE	
33471-6052	BLACK	A				4			YES	SALEABLE	
33471-6053	BLACK	A			3				YES	SALEABLE	
33471-6054	BLACK	A			3				---	SALEABLE	
33471-6055	BLACK	A			3	4	5		---	SALEABLE	
33471-6056	BLACK	A					5		---	SALEABLE	
33471-6057	BLACK	A				4			---	SALEABLE	
33471-6058	BLACK	A	1	2	3	4			---	SALEABLE	
33471-6059	DARK GRAY	C							---	SALEABLE	
33471-6060	STONE GRAY	D							---	SALEABLE	
33471-6061	DARK GRAY	C							YES	SALEABLE	
33471-6062	STONE GRAY	D							YES	SALEABLE	
33471-6063	DARK GRAY	C						6	---	SALEABLE	
33471-6064	STONE GRAY	D						6	---	SALEABLE	
33471-6065	DARK GRAY	C						6	YES	SALEABLE	
33471-6066	STONE GRAY	D						6	YES	SALEABLE	
33471-6067	DARK GRAY	C	1					6	---	SALEABLE	
33471-6068	STONE GRAY	D	1					6	---	SALEABLE	
33471-6069	DARK GRAY	C	1					6	YES	SALEABLE	
33471-6070	STONE GRAY	D	1					6	YES	SALEABLE	
33471-6071	DARK GRAY	C	1	2	3	4	5	6	---	SALEABLE	
33471-6072	STONE GRAY	D	1	2	3	4	5	6	---	SALEABLE	
33471-6073	BLACK	A			3			6	---	SALEABLE	
33471-6074	BLACK	A		2					---	SALEABLE	
33471-6075	BLACK	A	1		3		5		YES	SALEABLE	
33471-6076	BLACK	A	1						---	SALEABLE	
33471-6077	BLACK	A		2	3	4			---	SALEABLE	
33471-6078	BLACK	A				4	5		---	SALEABLE	
33471-6079	BLACK	A	1						YES	SALEABLE	
33471-6080	BLACK	A			3	4			YES	SALEABLE	

SYMBOLS = 0 = 0 = 0 = 0 = 0 = 0 = 0 = 0 = 0	THIS DRAWING CONTAINS INFORMATION THAT IS PROPRIETARY TO MOLEX ELECTRONIC TECHNOLOGIES, LLC AND SHOULD NOT BE USED WITHOUT WRITTEN PERMISSION		CURRENT REV DESC:		 MX150 1X6 RECEPTACLE SEALED ASSEMBLY MAT SEAL PRODUCT CUSTOMER DRAWING DOCUMENT NUMBER: SD-33471-061 DOC TYPE: PSD DOC PART: 001 REVISION: U4
	DIMENSION UNITS	SCALE	EC NO: 614171		
	mm	1:1	DRWN: DBARTHLOW 2019/04/08		
	GENERAL TOLERANCES (UNLESS SPECIFIED)		CHK'D: MVANSLAMBROU 2019/04/12		
	ANGULAR TOL ± 3.0°		APPR: MVANSLAMBROU 2019/04/12		
	4 PLACES ±		INITIAL REVISION:		
	3 PLACES ±		DRWN: DGRIFITHS 2005/08/26		
	2 PLACES ± 0.1		APPR: smarceau 2005/08/29		
	1 PLACE ± 0.3		DRAFT WHERE APPLICABLE MUST REMAIN WITHIN DIMENSIONS		
	0 PLACES ±		THIRD ANGLE PROJECTION	DRAWING	
			D-SIZE	33471	
		MATERIAL NUMBER		CUSTOMER	
		GENERAL MARKET		SHEET NUMBER	
				6 OF 6	

TABLE OF CONTENTS	
SHEET NO.	SHEET DESCRIPTION
1	NOTES AND BOM
2	CONFIGURATIONS
3-4	KEY CONFIGURATIONS
5	BLADE SEALED ASSEMBLY
6	SYSTEM PACKAGING
7	BACKSHELL NOTES
8	BACKSHELL
9	BACKSHELL CONFIGURATIONS

MATING CONNECTOR DRAWINGS	
DESCRIPTION	MOLEX INLINE
1X2	SD-33471-0001
1X6	SD-33471-0001

NOTES: VALID UNLESS OTHERWISE SPECIFIED

1. GENERAL:

a. APPLICATION SPECIFICATION SEE: AS-33472-100

- CONTAINS: PRODUCT INTRODUCTION, PRODUCT SUMMARY, CONNECTOR ASSEMBLY, PACKAGING INFORMATION, CONNECTOR MATING, SERVICE INSTRUCTIONS, ELECTRICAL CONTINUITY CHECKING, CRIMPING, AND TROUBLESHOOTING.
- DESIGNED TO MATE WITH RECEPTACLE SEALED ASSEMBLY AS SPECIFIED IN THE MATING CONNECTOR DRAWINGS CHART.
- *DENOTES DRAWINGS THAT CAN BE ACCESSED AT <http://ewcap.uscarteams.org/>
- ASSEMBLY SHIPPED WITH PLR IN PRE-LOCK POSITION (SEE PLR PRE-LOCK VIEW SHEET 5).

b. PRODUCT SPECIFICATION SEE:

- STANDARD CONFIGURATION: PS-33471-000
- UL V0 CONFIGURATION: PS-160105-0001
- CONTAINS: PRODUCT INTRODUCTION, PRODUCT SUMMARY, RATINGS (CURRENT, TEMPERATURE, SEALING, AND FLAMMABILITY), TERMINALS, WIRE DIAMETER RANGE, PRODUCT VALIDATION, AND PRODUCT DEVIATIONS.

c. PACKAGING SPECIFICATION PER MOLEX DRAWING: PK-31300-635 (PK-33471-000 FOR 1X5)

d. PARTS MUST BE IN COMPLIANCE TO MOLEX CHEMICAL SUBSTANCES FOR PRODUCTS AND PACKAGING SPECIFICATION: QEHS-699000-300

e. DATA MUST BE SUBMITTED UNDER THE MOLEX PART NUMBER TO IMDS (COMPANY ID#13255)

2. DESIGN - MATERIALS:

a. FOR BILL OF MATERIALS SEE:

- STANDARD CONFIGURATION: SD-33481-0002
- UL V0 CONFIGURATION: SD-160106-0002

3. DESIGN - GEOMETRY:

a. THE 3-D CAD DATA IS BASIC (WITHOUT TOLERANCE) AND MASTER FOR THIS PART WITH THE EXCEPTION OF UNDERLINED DIMENSIONS. DIMENSIONAL INFORMATION NOT SHOWN ON THIS DRAWING IS DEFINED BY THE DATA FILE AT ITS LATEST REVISION.

b. GEOMETRIC DIMENSIONS AND TOLERANCES PER ASME Y14.5M-2009

c. EDGES AND UNDIMENSIONED DETAILS PER ISO13715

d. CORNERS SHOWN AS SHARP TO BE R 0.2 MAX.

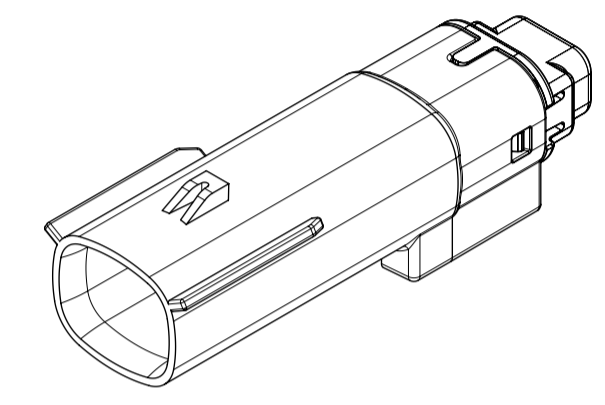
e. LETTERING SHALL BE 0.15 MAX RAISED IN 0.25 MAX RECESS PAD. THIS INCLUDES RECYCLING CODE, CAVITY ID, VENDOR IDENTIFICATION, AND CUSTOMER MATERIAL NUMBER.

f. VISUAL DEFECTS SHALL MEET COSMETIC STANDARD PS-45499-002 (Class B).

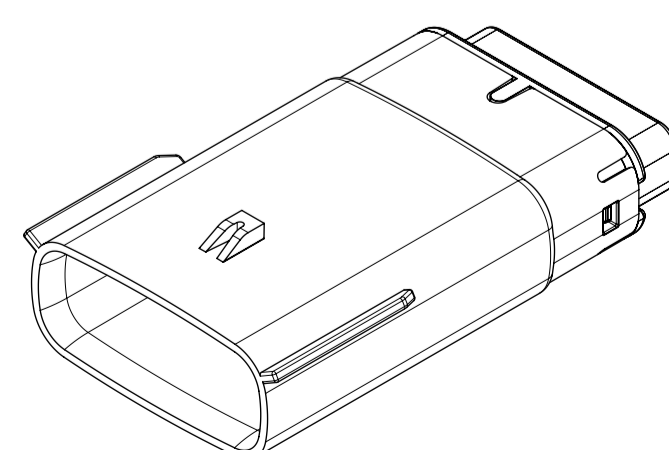
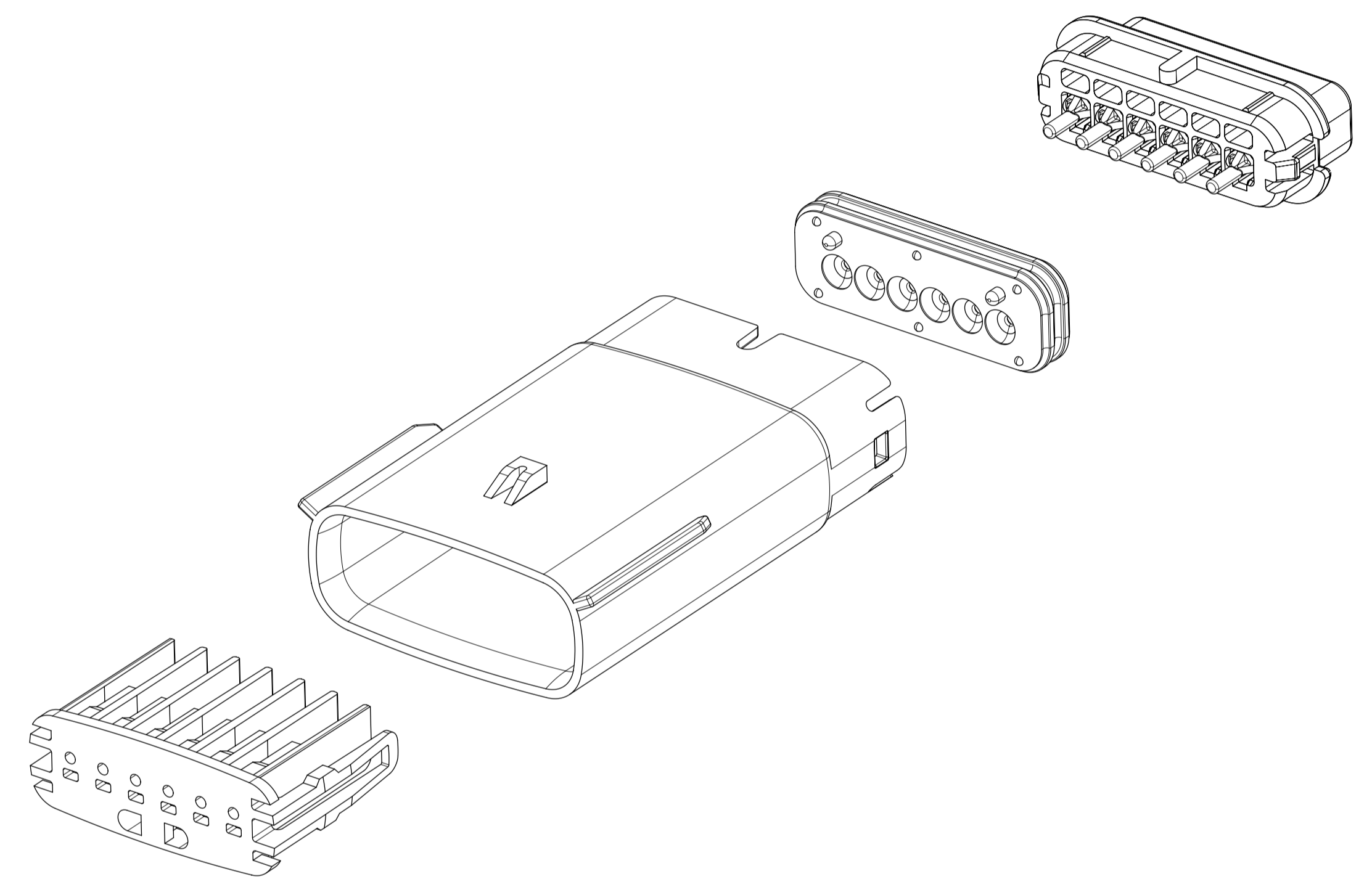
g. LASER MARKING:

- PART NUMBER
- DAY OF THE YEAR
- SHIFT
- YEAR

FOR ADDITIONAL INFORMATION SEE SECTION 5 UNDER PROCEDURES IN ES-34735-008.



1X2

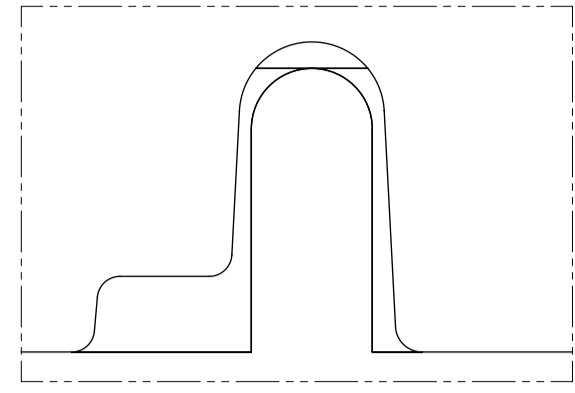


1X6

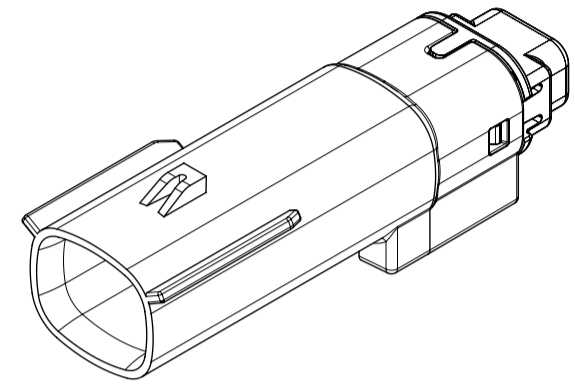
INSPECTION NUMBER LOG	
LAST NUMBER: 9	ADDED:
REMOVED:	REV
A1	NX REMASTERING , CHANGE PS DRAWING NUMBER FROM PS-160105-0001 TO PS-160074-0001 IN NOTES 1.b
A	MINOR GEOMETRY CHANGE FOR UL V0
2	UPDATED VIEWSETS
1	INITIAL RELEASE
REV	REV DESCRIPTION

SYMBOLS = 0 = 0 = 0 = 0 = 0 = 0 = 0 = 0 = 0	THIS DRAWING CONTAINS INFORMATION THAT IS PROPRIETARY TO MOLEX ELECTRONIC TECHNOLOGIES, LLC AND SHOULD NOT BE USED WITHOUT WRITTEN PERMISSION DIMENSION UNITS: MM ONLY SCALE: 1.5:1	CURRENT REV DESC: EC NO: 602373 DRWN: DSHETTY01 2018/05/25 CHK'D: MVANSLAMBROU 2018/10/04 APPR: MVANSLAMBROU 2018/10/04			
	GENERAL TOLERANCES (UNLESS SPECIFIED) ANGULAR TOL ± 1.0°	INITIAL REVISION: DRWN: APROFFITT 2015/07/21 APPR: KDEKOSKI 2016/06/14	MX150 BLADE SINGLE ROW SEALED ASSY MAT SEAL		
	4 PLACES ± 3 PLACES ± 2 PLACES ± 0.1 1 PLACE ± 0.2 0 PLACES ±	PRODUCT CUSTOMER DRAWING DOCUMENT NUMBER: SD-33481-0001 DOC TYPE: PSD DOC PART: 001 REVISION: A1	PRODUCT CUSTOMER DRAWING		
	DRAFT WHERE APPLICABLE MUST REMAIN WITHIN DIMENSIONS	THIRD ANGLE PROJECTION 	DRAWING: A1-SIZE SERIES: 33481	MATERIAL NUMBER: SEE NOTE 2a. CUSTOMER: GENERAL MARKET	SHEET NUMBER: 1 OF 9

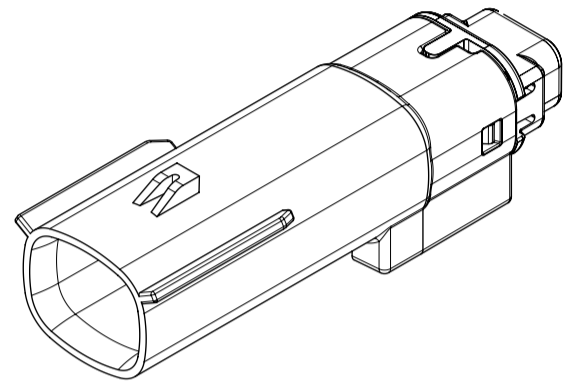
SHEET DESCRIPTION
CONFIGURATIONS



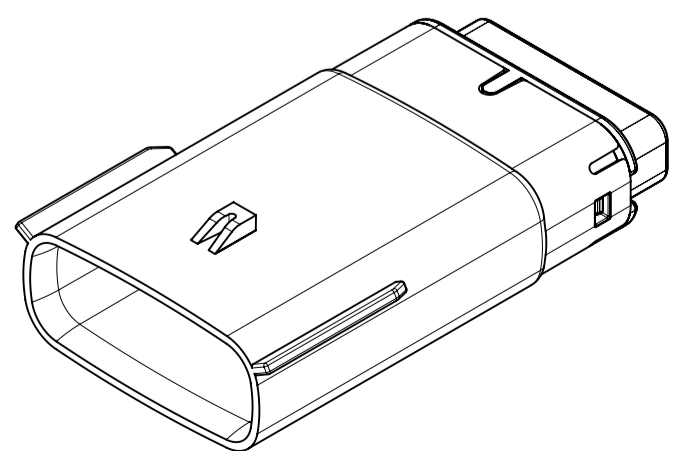
UL V0 UNIQUE FEATURE
Partial1
SCALE 10:1



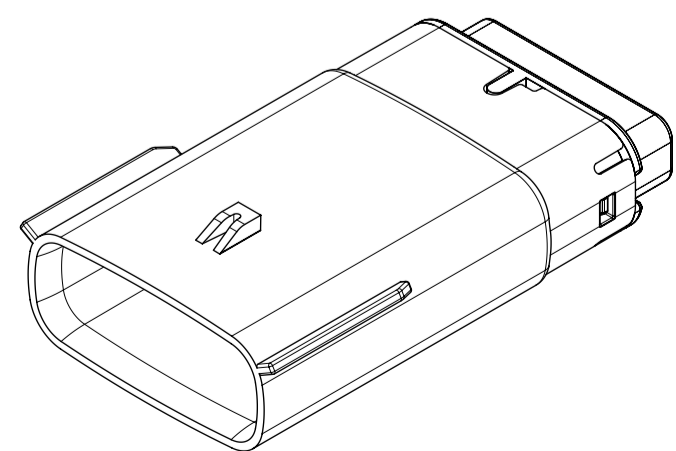
1x2 - STD



1X2 - UL V0*



1x6 - STD

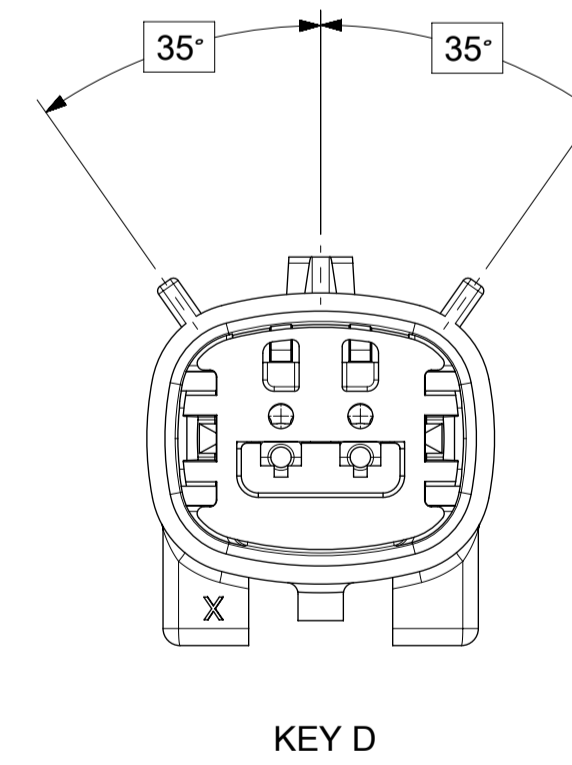
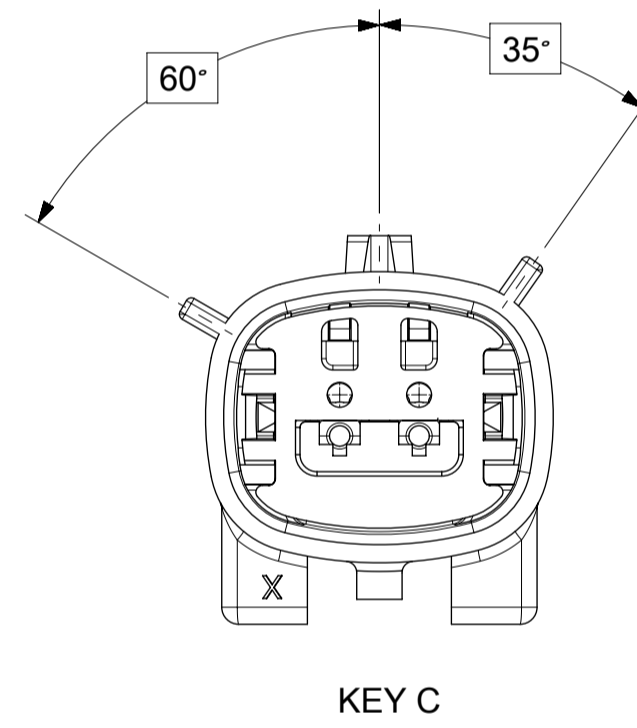
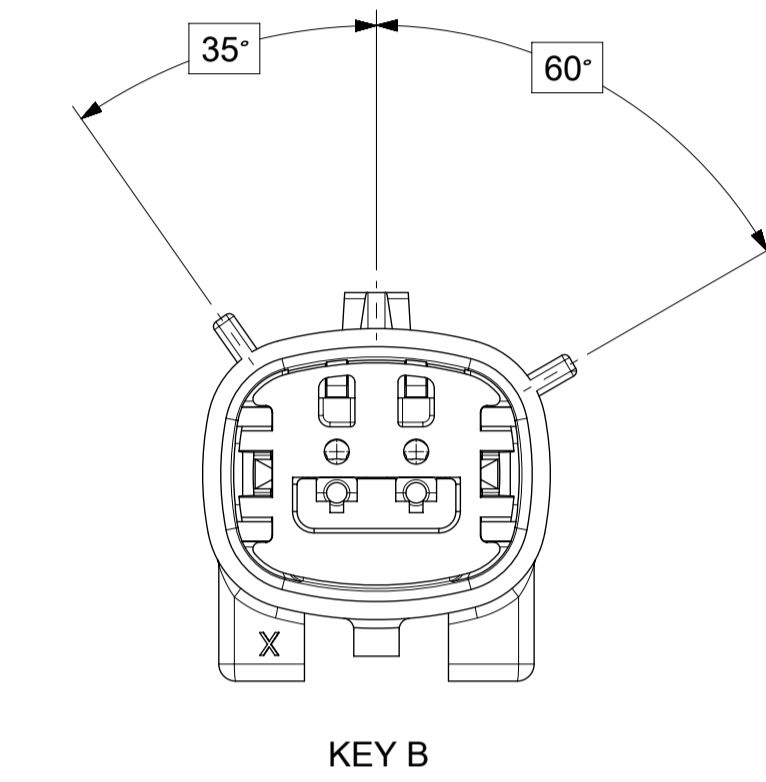
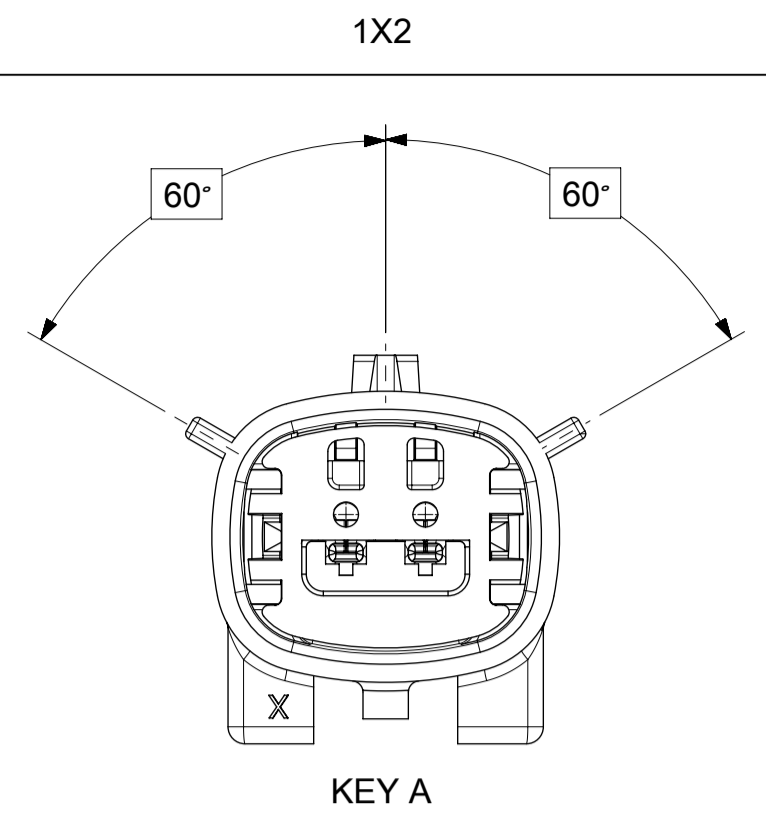


1x6 - UL V0*

* MINOR GEOMETRY DIFFERENCE THAN STANDARD CONFIGURATION.
SEE NOTES 1 & 2 FOR MORE INFORMATION

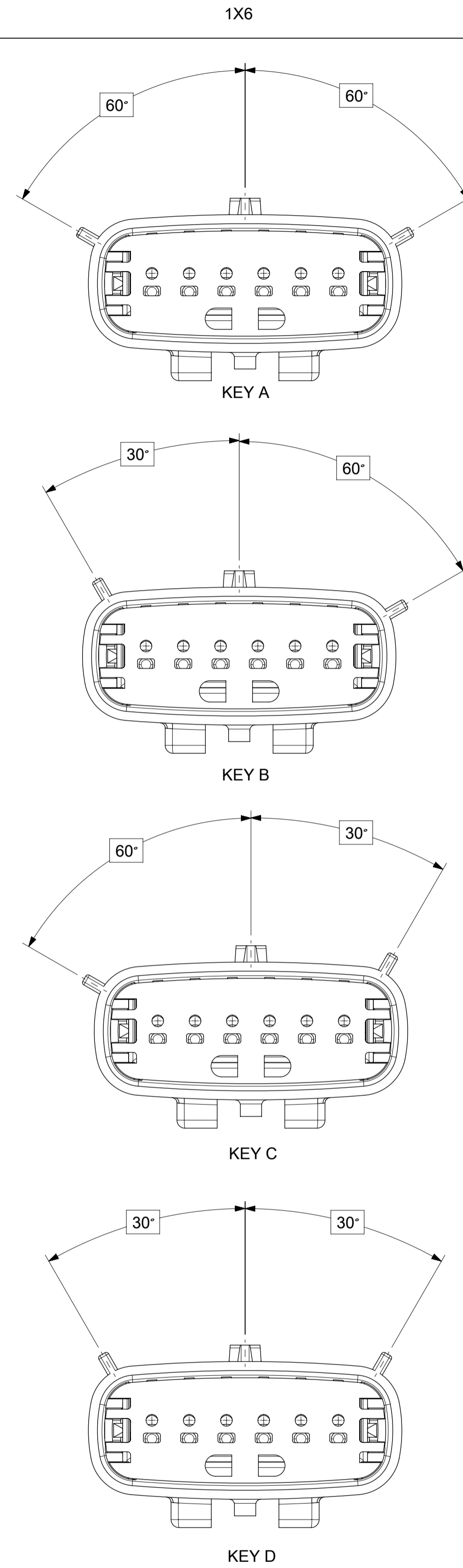
SYMBOLS	THIS DRAWING CONTAINS INFORMATION THAT IS PROPRIETARY TO MOLEX ELECTRONIC TECHNOLOGIES, LLC AND SHOULD NOT BE USED WITHOUT WRITTEN PERMISSION		CURRENT REV DESC:				
	DIMENSION UNITS	SCALE					
▽ = 0	MM ONLY	1.5:1	GENERAL TOLERANCES (UNLESS SPECIFIED)		CHK'D: MVANSLAMBROU	2018/10/04	PRODUCT CUSTOMER DRAWING
▽ = 0	ANGULAR TOL ± 1.0°		APPR: MVANSLAMBROU		2018/10/04	DOCUMENT NUMBER	
▽ = 0	4 PLACES	±	INITIAL REVISION:		DRWN: APROFFITT	2015/07/21	SD-33481-0001
▽ = 0	3 PLACES	±	APPR: KDEKOSKI		2016/06/14	DOC TYPE	
▽ = 0	2 PLACES	± 0.1	DRAFT WHERE APPLICABLE MUST REMAIN WITHIN DIMENSIONS		THIRD ANGLE PROJECTION	DRAWING	PSD
▽ = 0	1 PLACE	± 0.2	THIRD ANGLE PROJECTION		DRAWING	SERIES	
▽ = 0	0 PLACES	±	THIRD ANGLE PROJECTION		DRAWING	SERIES	A1
▽ = 0	DRAFT WHERE APPLICABLE MUST REMAIN WITHIN DIMENSIONS		THIRD ANGLE PROJECTION		DRAWING	SERIES	
▽ = 0	DRAFT WHERE APPLICABLE MUST REMAIN WITHIN DIMENSIONS		THIRD ANGLE PROJECTION		DRAWING	SERIES	MATERIAL NUMBER
						SEE NOTE 2a.	
						CUSTOMER	
						GENERAL MARKET	
						SHEET NUMBER	
						2 OF 9	

SHEET DESCRIPTION
KEY CONFIGURATIONS



SYMBOLS = 0 = 0 = 0 = 0 = 0 = 0 = 0 = 0 = 0 = 0	THIS DRAWING CONTAINS INFORMATION THAT IS PROPRIETARY TO MOLEX ELECTRONIC TECHNOLOGIES, LLC AND SHOULD NOT BE USED WITHOUT WRITTEN PERMISSION		CURRENT REV DESC:		 MX150 BLADE SINGLE ROW SEALED ASSY MAT SEAL			
	DIMENSION UNITS	SCALE	EC NO: 602373					DOCUMENT NUMBER
	MM ONLY	3:1	DRWN: DSHETTY01 2018/05/25		SD-33481-0001	PSD	001	A1
	GENERAL TOLERANCES (UNLESS SPECIFIED)		CHK'D: MVANSLAMBROU 2018/10/04		PRODUCT CUSTOMER DRAWING			
	ANGULAR TOL ± 1.0°		APPR: MVANSLAMBROU 2018/10/04		INITIAL REVISION:			
	4 PLACES ±		DRWN: APROFFITT 2015/07/21		MATERIAL NUMBER			
	3 PLACES ±		APPR: KDEKOSKI 2016/06/14		CUSTOMER			
	2 PLACES ± 0.1		DRAWING		SHEET NUMBER			
	1 PLACE ± 0.2		SERIES		3 OF 9			
	0 PLACES ±		THIRD ANGLE PROJECTION		SEE NOTE 2a. GENERAL MARKET			
DRAFT WHERE APPLICABLE MUST REMAIN WITHIN DIMENSIONS		DRAWING		3 OF 9				

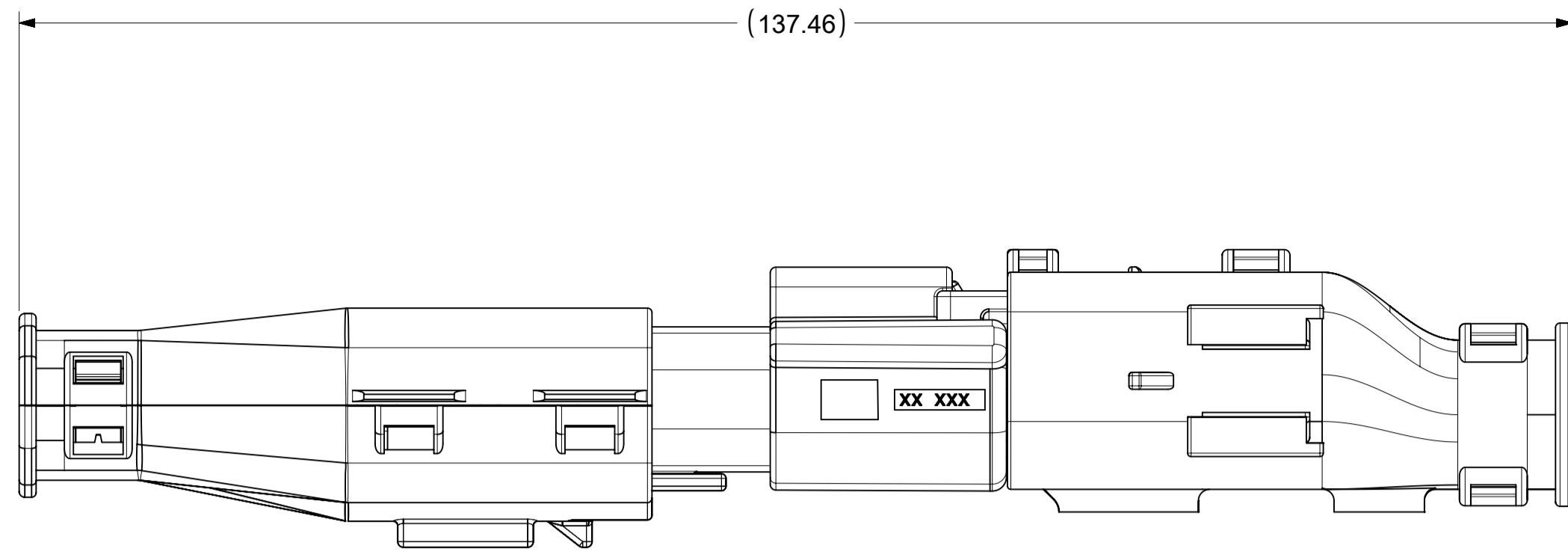
SHEET DESCRIPTION
KEY CONFIGURATIONS CONT.



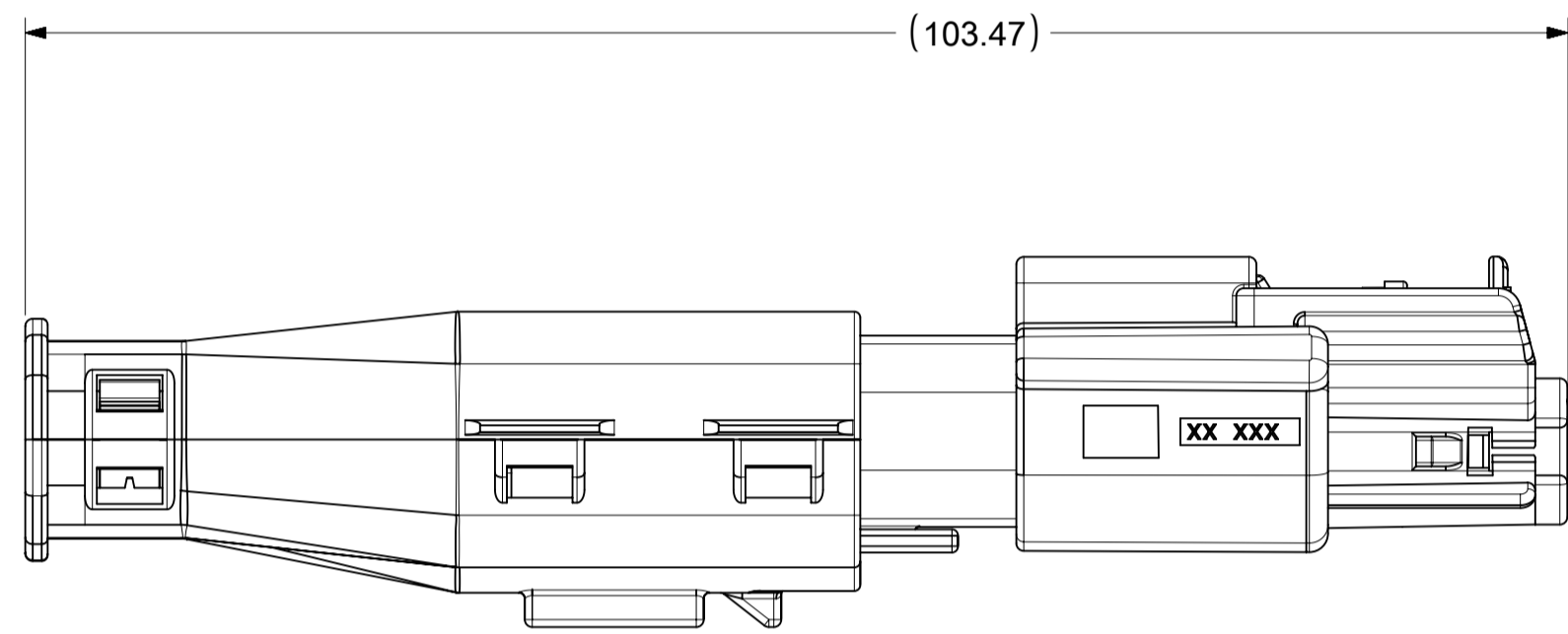
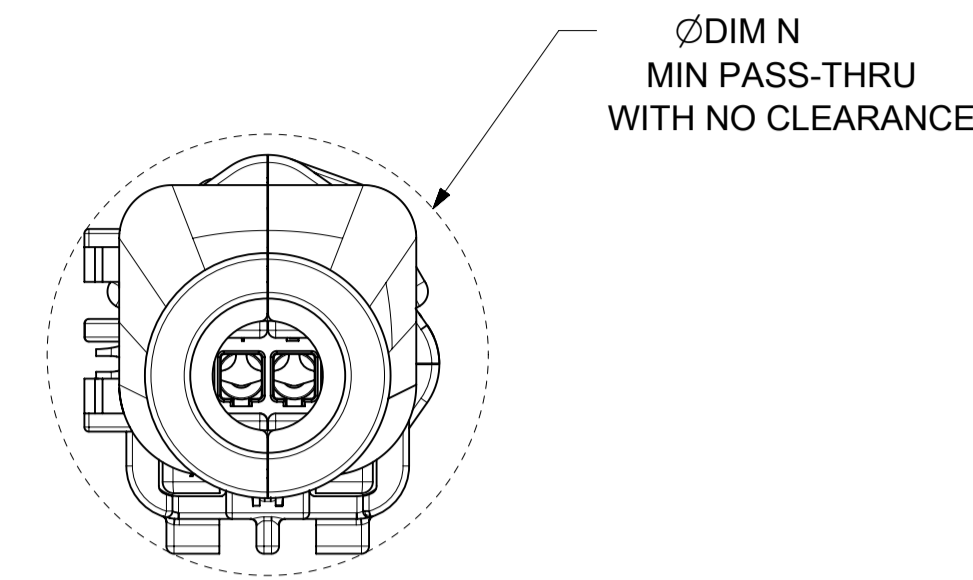
SYMBOLS = 0 = 0 = 0 = 0 = 0 = 0 = 0 = 0 = 0 = 0	THIS DRAWING CONTAINS INFORMATION THAT IS PROPRIETARY TO MOLEX ELECTRONIC TECHNOLOGIES, LLC AND SHOULD NOT BE USED WITHOUT WRITTEN PERMISSION DIMENSION UNITS: MM ONLY SCALE: 3:1	CURRENT REV DESC: EC NO: 602373 DRWN: DSHETTY01 2018/05/25 CHK'D: MVANSLAMBROU 2018/10/04 APPR: MVANSLAMBROU 2018/10/04	 MX150 BLADE SINGLE ROW SEALED ASSY MAT SEAL		
	GENERAL TOLERANCES (UNLESS SPECIFIED) ANGULAR TOL ± 1.0° 4 PLACES ± 3 PLACES ± 2 PLACES ± 0.1 1 PLACE ± 0.2 0 PLACES ±	INITIAL REVISION: DRWN: APROFFITT 2015/07/21 APPR: KDEKOSKI 2016/06/14	PRODUCT CUSTOMER DRAWING DOCUMENT NUMBER: SD-33481-0001 DOC TYPE: PSD DOC PART: 001 REVISION: A1	MATERIAL NUMBER: SEE NOTE 2a. CUSTOMER: GENERAL MARKET SHEET NUMBER: 4 OF 9	
DRAFT WHERE APPLICABLE MUST REMAIN WITHIN DIMENSIONS 	THIRD ANGLE PROJECTION 	DRAWING: A1-SIZE SERIES: 33481			

SHEET DESCRIPTION
BACKSHELL CONFIGURATIONS

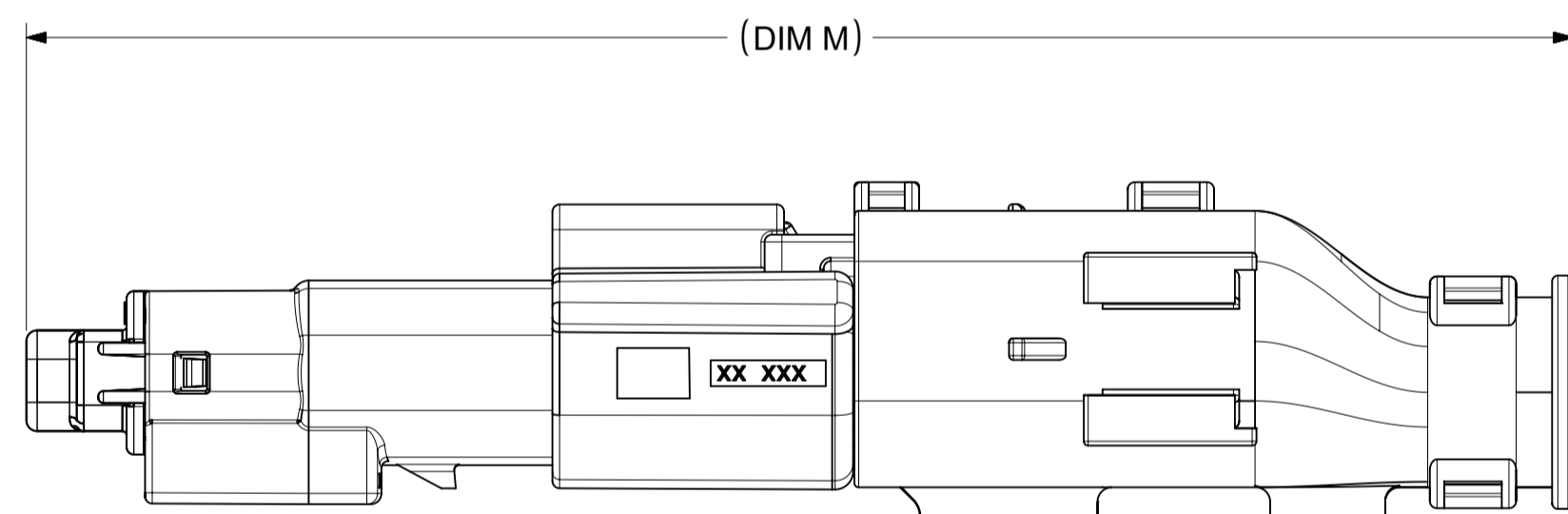
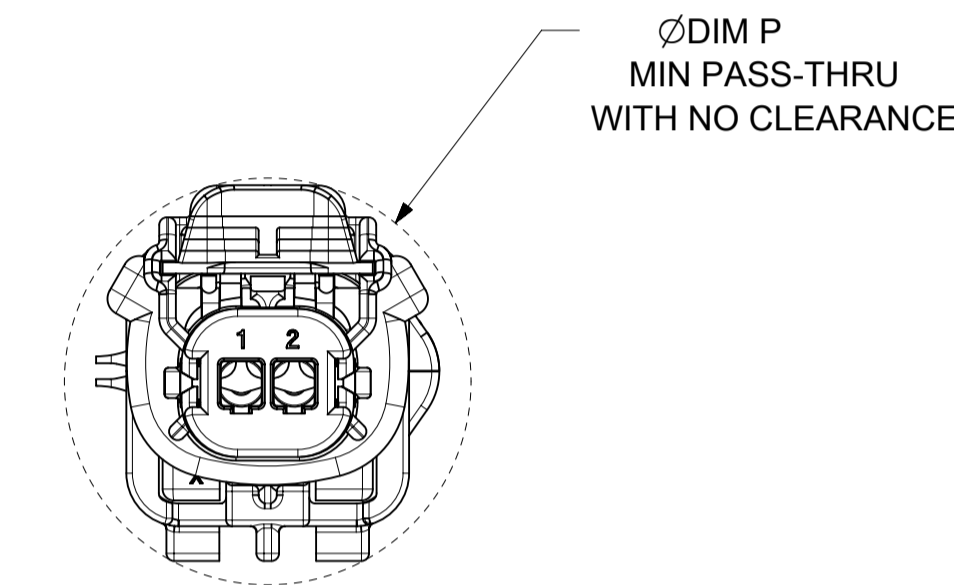
CKT	BLADE CONFIGURATION	RECEPTACLE CONFIGURATION	DIMENSIONS				
			M	N	P	R	S
1X2	STANDARD	STANDARD	107.84	29.50	27.00	26.25	25.00



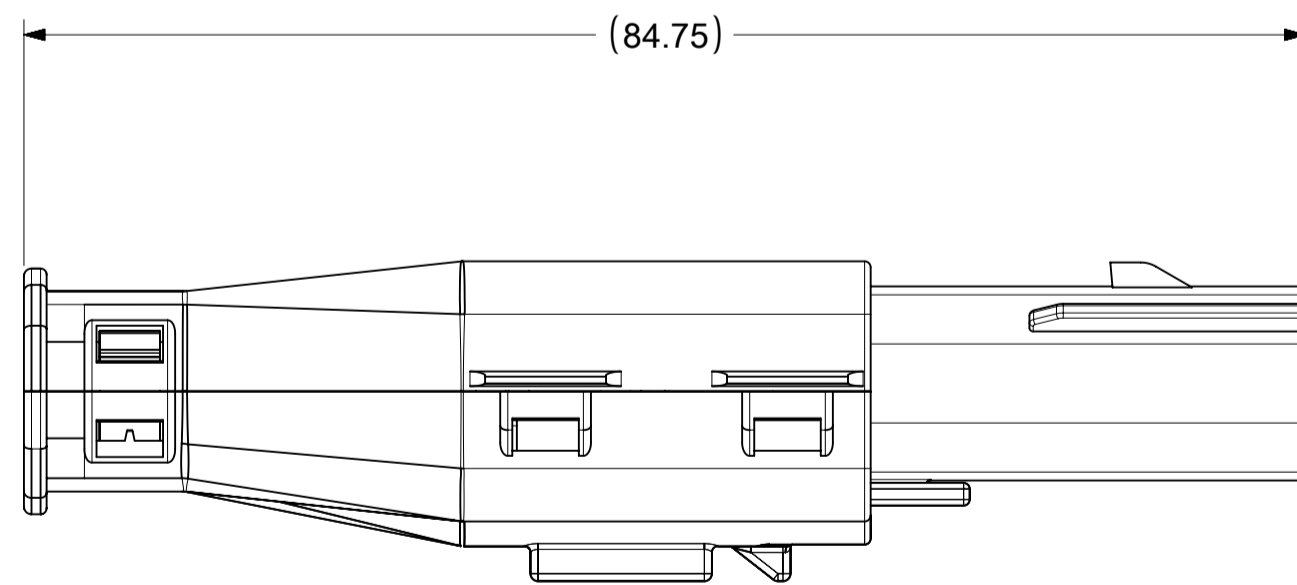
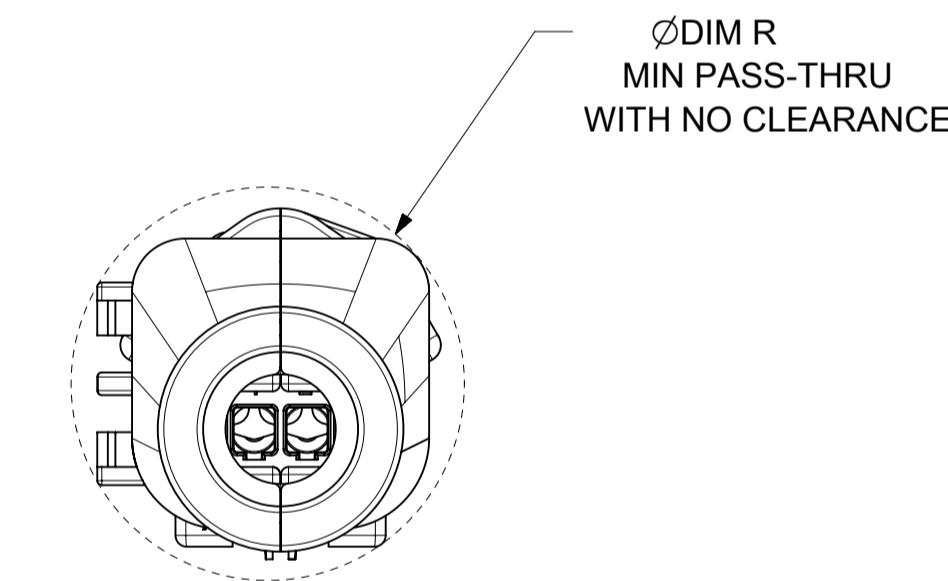
OVERALL MATED SYSTEM WITH BLADE AND RECEPTACLE BACKSHELL



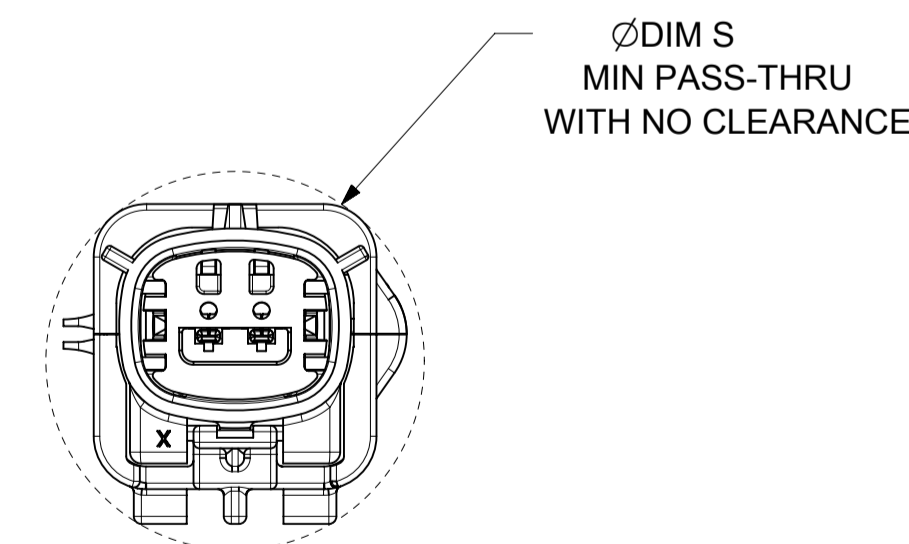
OVERALL MATED SYSTEM WITH BLADE BACKSHELL



OVERALL MATED SYSTEM WITH RECEPTACLE BACKSHELL



BLADE SEALED ASSEMBLY WITH BLADE BACKSHELL



SYMBOLS = 0 = 0 = 0 = 0 = 0 = 0 = 0 = 0 = 0 = 0	THIS DRAWING CONTAINS INFORMATION THAT IS PROPRIETARY TO MOLEX ELECTRONIC TECHNOLOGIES, LLC AND SHOULD NOT BE USED WITHOUT WRITTEN PERMISSION DIMENSION UNITS: MM ONLY SCALE: 2:1	CURRENT REV DESC: EC NO: 602373 DRWN: DSHETTY01 2018/05/25 CHK'D: MVANSLAMBROU 2018/10/04 APPR: MVANSLAMBROU 2018/10/04 INITIAL REVISION: DRWN: APROFFITT 2015/07/21 APPR: KDEKOSKI 2016/06/14	 MX150 BLADE SINGLE ROW SEALED ASSY MAT SEAL		
	GENERAL TOLERANCES (UNLESS SPECIFIED) ANGULAR TOL ± 1.0° 4 PLACES ± 3 PLACES ± 2 PLACES ± 0.1 1 PLACE ± 0.2 0 PLACES ±	DRAFT WHERE APPLICABLE MUST REMAIN WITHIN DIMENSIONS	THIRD ANGLE PROJECTION 	DRAWING: A1-SIZE SERIES: 33481	MATERIAL NUMBER: SEE NOTE 2a. CUSTOMER: GENERAL MARKET