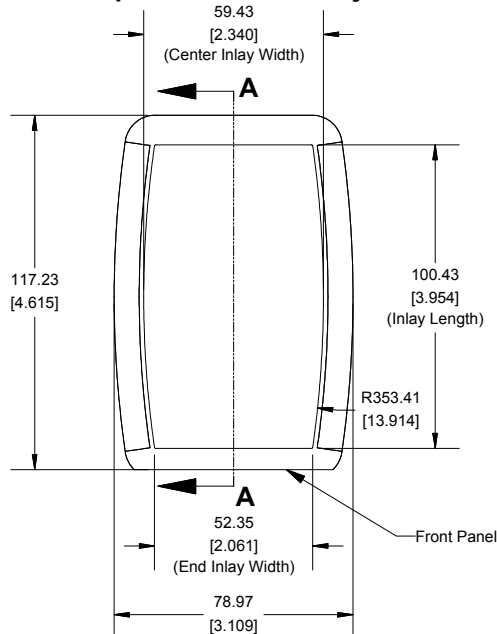
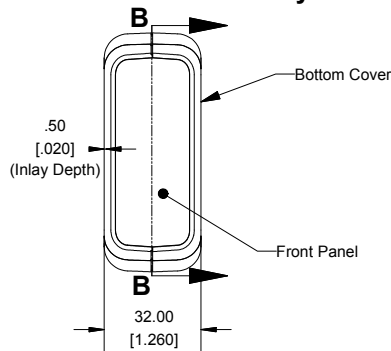


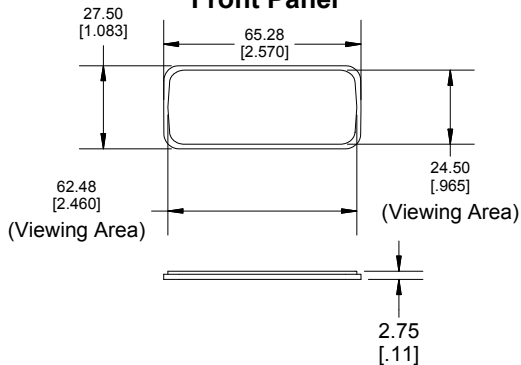
Top View of Assembly



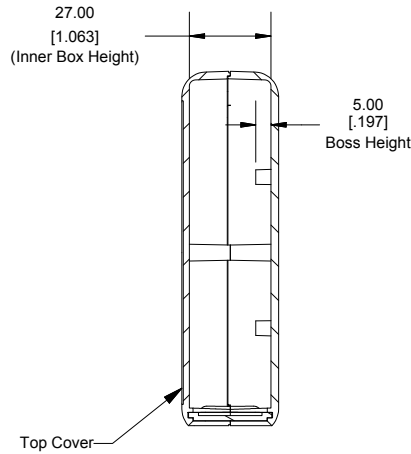
End View of Assembly



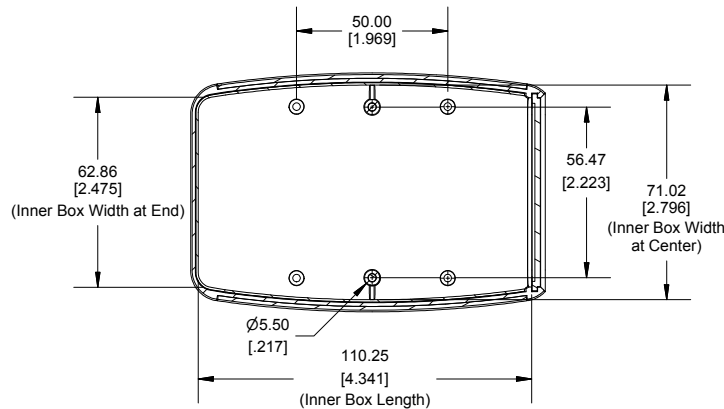
Front Panel



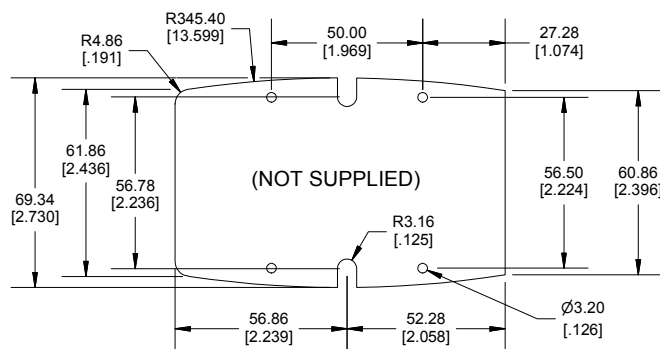
**SECTION A-A
(Side View Inside Assembly)**



**SECTION B-B
(Inside of Bottom Cover)**



Maximum P.C. Board Size



Enclosures can be Factory Modified (Milling, Drilling, Printing etc.)
 Contact Factory mjm@hammondmg.com for quotes
 Solid models of this enclosure available in STEP or IGES.
 (Part number and text placement/orientation on our products are subject to change,
 we do not recommend using them as a locating reference for modification purposes)

NOTE	
Enclosure molded from GP ABS Plastic.	
Purchased assembly includes Top, Bottom, front plastic panel and 2 cover screws. (P.C. Board not supplied)	
Recommended Cover screw torque -- 2.5 lbf-in (30 cN-m)	

PART NUMBER	
1553C Regular Enclosure	
Black Enclosure/Grey Over-mold	1553CBK
Grey Enclosure/Grey Over-mold	1553CGY
ACCESSORIES	
Oval Head Cover Screws Self-Tapping (Pkg 100) [#4 X 1" (25.4mm)]	SC1553C100 (Silver) SC1553C100BK (Black)
P.C. Board Self Tapping Screw [#4 X 1/4" (6.4mm) Plated]	1593ATS50 (Pkg 50) 1593ATS100 (Pkg 100)
Belt or Pocket Clip	1599CLIP (Black) 1599CLIPGY (Grey)

**HAMMOND
MANUFACTURING®**

1553C

www.hammondmg.com

Dimensions:
mm
[inches]