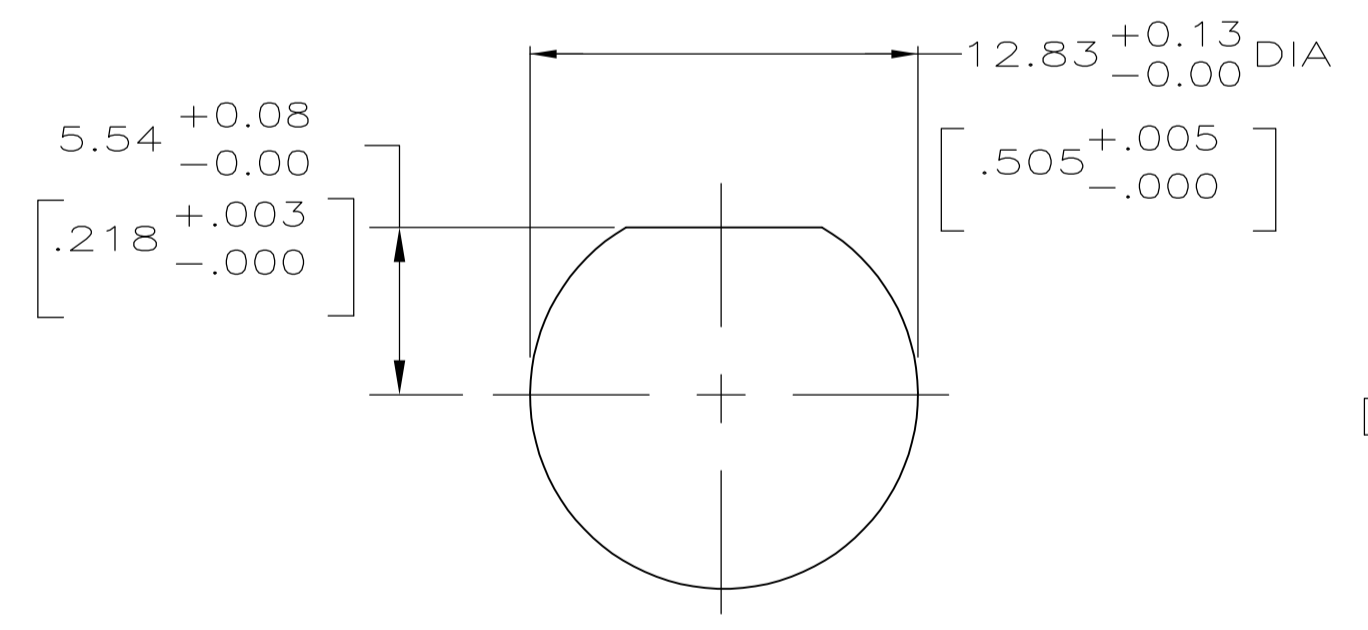
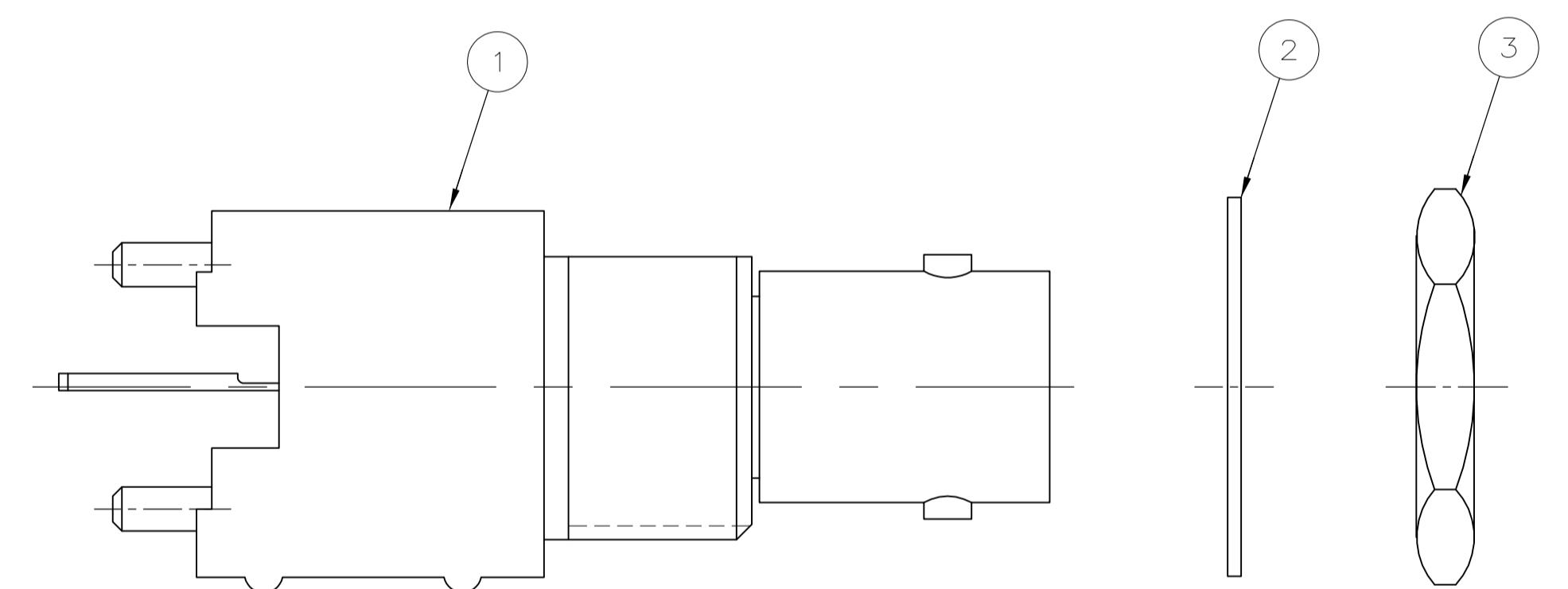
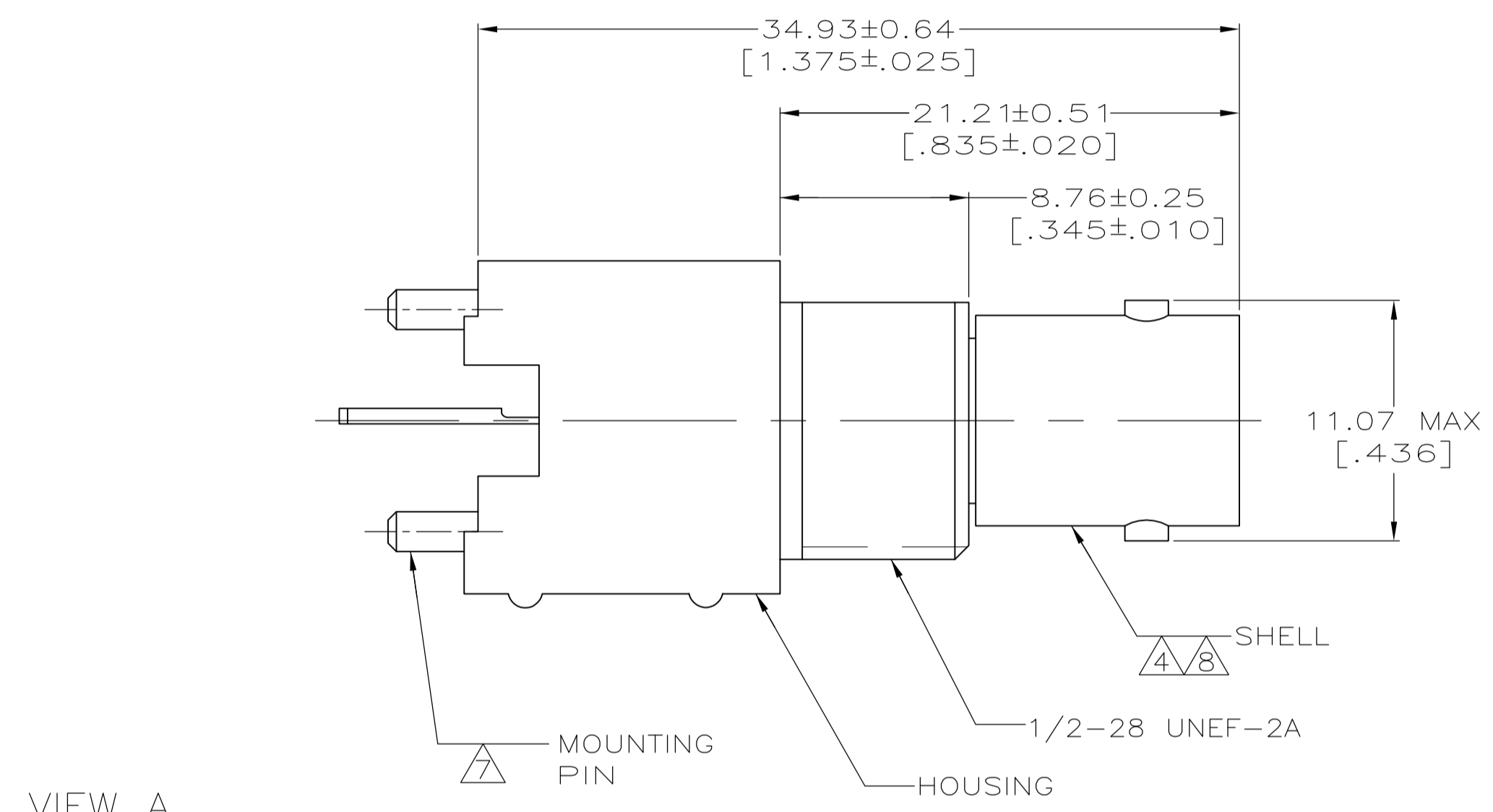
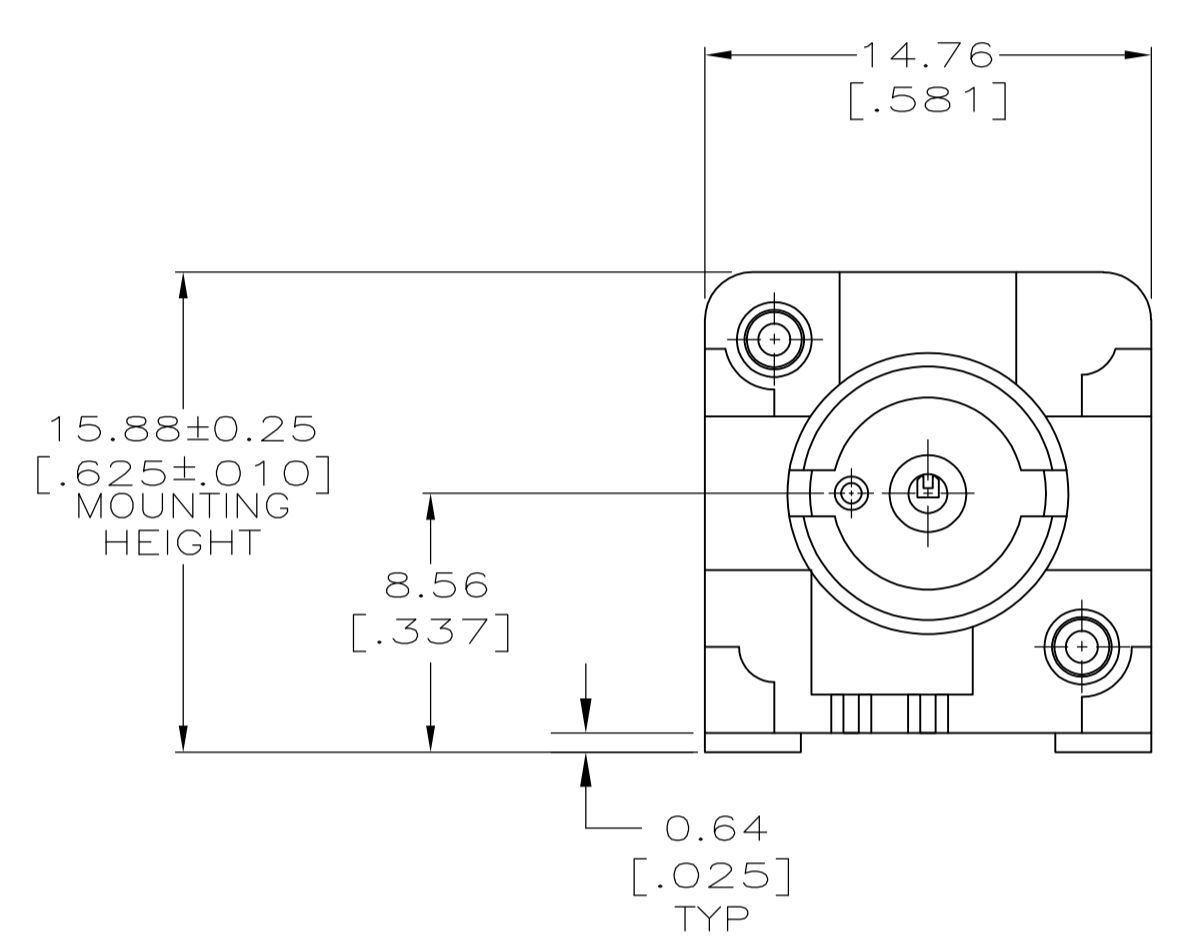
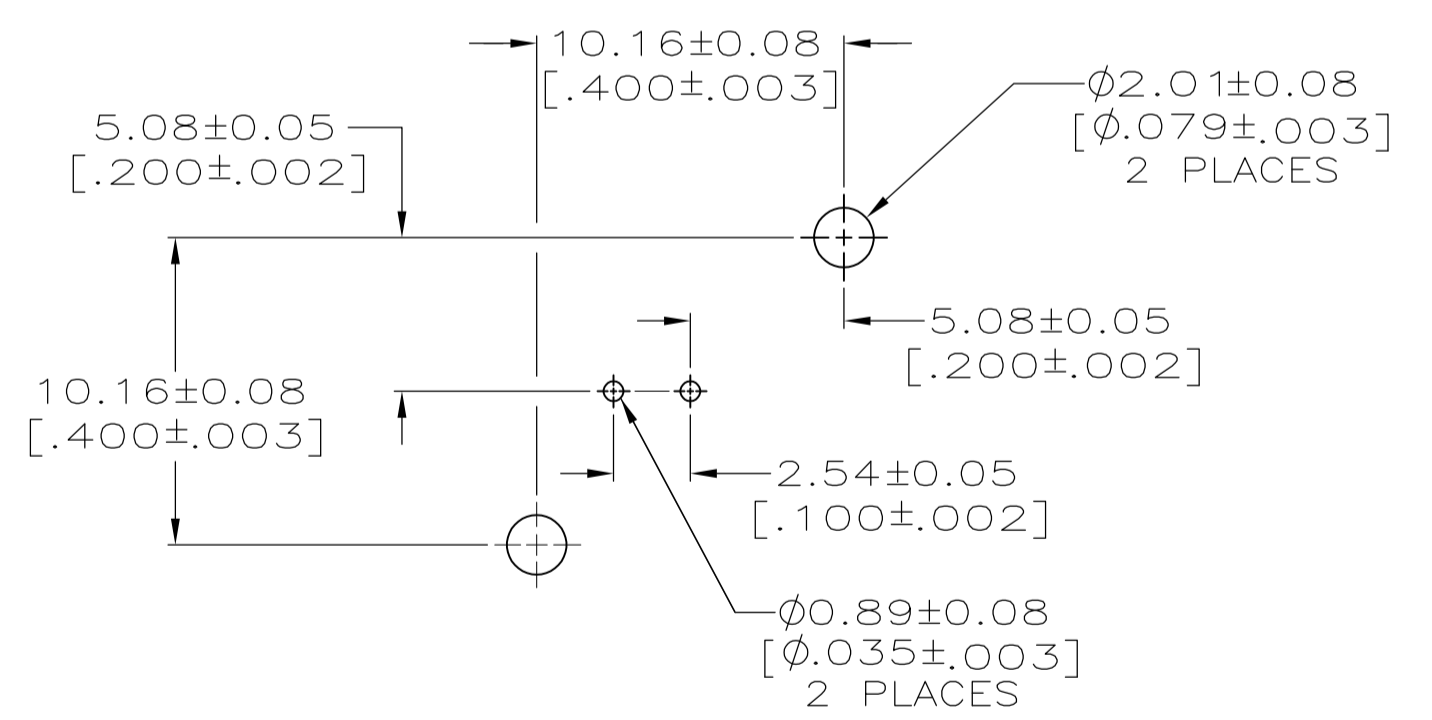


- 1 POLYESTER PBT PER MIL-M-24519, TYPE GPT-15F, UL94V-O RATED, COLOR: NATURAL
- 2 POLYESTER PBT PER MIL-M-24519, TYPE GPT-15F, UL94V-O RATED, COLOR: BLACK
- 3 POLYMETHYLPENTENE, GENERAL PURPOSE.
- 4 ZINC PER QQ-Z-363.
- 5 PHOSPHOR BRONZE PER QQ-B-750.
- 6 BRASS PER ASTM-B-453.
- 7 BRASS PER ASTM-B-16.
- 8 NICKEL PLATE PER QQ-N-290, 3.81  $\mu$ m [.000150] MINIMUM THICK.
- 9 TIN PLATE PER ASTM-B-545, 3.81  $\mu$ m [.000150] MINIMUM THICK.
- 10 GOLD PLATE PER MIL-C-45204, 0.76  $\mu$ m [.000030] MINIMUM THICK.
- 11. SEE INSTRUCTION SHEET 408-2769.



RECOMMENDED PANEL CUTOUT



PCB CONFIGURATION

VIEW B

|             |                      |                     |                      |                 |                  |      |   |               |            |                  |           |                |             |
|-------------|----------------------|---------------------|----------------------|-----------------|------------------|------|---|---------------|------------|------------------|-----------|----------------|-------------|
| -           | 6                    | 5                   | 4                    | 3               | 2                | 1    |   |               |            |                  |           |                |             |
| 3.48 [.137] | 6                    | 5                   | 4                    | 3               | 2                | 1    | B | 1-329631-2    | 1-329632-2 | 5227222-6        | 5227222-9 |                |             |
| 3.48 [.137] | 6                    | 5                   | 4                    | 3               | 2                | 1    | A | -             | -          | -                | 5227222-6 |                |             |
| 3.48 [.137] | 6                    | 5                   | 4                    | 3               | 2                | 1    | A | -             | -          | -                | 5227222-3 |                |             |
| 3.48 [.137] | 6                    | 5                   | 4                    | 3               | 2                | 1    | A | -             | -          | -                | 5227222-2 |                |             |
| 3.48 [.137] | 6                    | 5                   | 4                    | 3               | 2                | 1    | A | -             | -          | -                | 5227222-1 |                |             |
| C           | MOUNTING PIN PLATING | GROUND POST PLATING | CONTACT POST PLATING | CONTACT PLATING | HOUSING MATERIAL | VIEW | 3 | JAM NUT QTY=1 | 2          | LOCKWASHER QTY=1 | 1         | ASSEMBLY QTY=1 | PART NUMBER |

THIS DRAWING IS A CONTROLLED DOCUMENT.

|                         |  |                            |                    |   |
|-------------------------|--|----------------------------|--------------------|---|
| DIMENSIONS: mm (INCHES) | TOLERANCES UNLESS OTHERWISE SPECIFIED: | DIN J. ALCORTA - 26APR2005 | DOCK 5 - 26APR2005 | <br>TE Connectivity                           |
| 0 PLC ± -               | 1 PLC ± -                              | J. HAVENER                 | DOCK 5 - 26APR2005 |   |
| 2 PLC ± 0.20 [.008]     | 3 PLC ± -                              | J. LIPPERT                 | 26APR2005          | NAME: JACK, VERTICAL, 50 OHM, PCB, SERIES BNC |
| 4 PLC ± -               | ANGLES ± -                             | PRODUCT SPEC: 108-12078    |                    | APPLICATION SPEC: -                           |
| MATERIAL:               | FINISH:                                | SIZE: A1                   | CAGE CODE: 00779   | DRAWING NO: 5227222                           |
| CUSTOMER DRAWING        |  | SCALE: 4:1                 | SHEET: 1 of 1      | REV: B1                                       |

# Mouser Electronics

Authorized Distributor

Click to View Pricing, Inventory, Delivery & Lifecycle Information:

[TE Connectivity:](#)

[5227222-3](#)