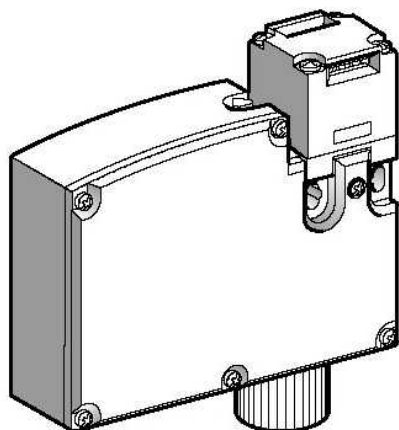


XCSTE5313

plastic safety switch XCSTE - 1NC+1NO- slow break- 1 entry tapped 1/2" NPT -24V

Product availability: Stock - Normally stocked in distribution facility



Main

Range of product	Preventa Safety detection
Product or component type	Safety switch
Component name	XCSTE
Design	Rectangular
Material	Plastic
Head type	Key operated turret head
Contacts type and composition	1 NC + 1 NO
Contacts operation	Slow-break, break before make
Solenoid contacts type and composition	1 NC (slow-break)
Cable entry	1 entry tapped 1/2" NPT
Electromagnet interlocking	Locking on de-energisation and unlocking on energisation of solenoid
[Us] rated supply voltage	24 V (- 20...10 %)
Electrical connection	Terminal, 1 x 0.5...2 x 1.5 mm ² with or without cable end
Number of poles	2
Locking options description	With interlocking, locking by solenoid

Complementary

Insulation	Double insulated
Positive opening	With NC contact
Supply voltage type	AC/DC
Supply frequency	50/60 Hz
Load factor	1
Power consumption in VA	10 VA
Mechanical durability	1000000 cycles
Positive opening minimum force	15 N
Minimum actuation speed	0.03 ft/s (0.01 m/s)
Maximum actuation speed	1.64 ft/s (0.5 m/s)
[Ie] rated operational current	1.5 A at 240 V utilisation category AC-15, B300 conforming to EN/IEC 60947-5-1 3 A at 120 V utilisation category AC-15, B300 conforming to EN/IEC 60947-5-1 0.27 A at 250 V utilisation category DC-13, Q300 conforming to EN/IEC 60947-5-1 0.55 A at 125 V utilisation category DC-13, Q300 conforming to EN/IEC 60947-5-1
[Ithe] conventional enclosed thermal current	6 A
[Ui] rated insulation voltage	300 V conforming to CSA C22.2 No 14 500 V conforming to EN/IEC 60947-1 300 V conforming to UL 508
[Uimp] rated impulse withstand voltage	6 kV conforming to EN/IEC 60947-5-1
Short circuit protection	10 A cartridge fuse type gG (gl)
Actutr forcible withdrawal rtc	500 N
Operating rate	10 cyc/mn for maximum durability

The information provided in this documentation contains general descriptions and/or technical characteristics of the performance of the products contained herein. This documentation is not intended as a substitute for and is not to be used for determining suitability or reliability of these products for specific user applications. It is the duty of any such user or integrator to perform the appropriate and complete risk analysis, evaluation and testing of the products with respect to the relevant specific application or use thereof. Neither Schneider Electric Industries SAS nor any of its affiliates or subsidiaries shall be responsible or liable for misuse of the information contained herein.

Safety level	Can reach SIL 3 with the appropriate monitoring system and correctly wired conforming to EN/IEC 61508 Can reach PL = e with the appropriate monitoring system and correctly wired conforming to EN/ISO 13849-1 Can reach category 4 with the appropriate monitoring system and correctly wired conforming to EN/ISO 13849-1
Safety reliability data	B10d = 5000000 (value given for a life time of 20 years limited by mechanical or contact wear)
Body material	PA (polyamide)
Head material	PA (polyamide)
Depth	1.3 in (33 mm)
Height	3.7 in (94 mm)
Width	4.33 in (110 mm)
Product weight	0.79 lb(US) (0.36 kg)

Environment

Standards	EN 1088/ISO 14119 EN/IEC 60204-1 EN/IEC 60947-5-1 EN/ISO 12100 UL 508 CSA C22.2 No 14
Product certifications	CSA UL
Protective treatment	TC
Ambient air temperature for operation	-13...140 °F (-25...60 °C)
Ambient air temperature for storage	-40...158 °F (-40...70 °C)
Vibration resistance	5 gn (f = 10...500 Hz) conforming to IEC 60068-2-6
Shock resistance	10 gn for 11 ms conforming to IEC 60068-2-27
Class of protection against electric shock	Class II conforming to EN/IEC 60536
IP degree of protection	IP67 conforming to EN/IEC 60529 and EN/IEC 60947-5-1

Ordering and shipping details

Category	22411 - LIMIT SWITCHES,IEC,XCKJ
Discount Schedule	T
GTIN	00785901326786
Nbr. of units in pkg.	1
Package weight(Lbs)	0.70
Product availability	Stock - Normally stocked in distribution facility
Returnability	Y
Country of origin	FR

Offer Sustainability

Sustainable offer status	Not Green Premium product
RoHS	Compliant - since 1150 - Schneider Electric declaration of conformity
REACH	Reference not containing SVHC above the threshold
Product environmental profile	Available Download Product Environmental

Contractual warranty

Period	18 months
--------	-----------

Mouser Electronics

Authorized Distributor

Click to View Pricing, Inventory, Delivery & Lifecycle Information:

[Schneider Electric:](#)

[XCSTE5313](#)