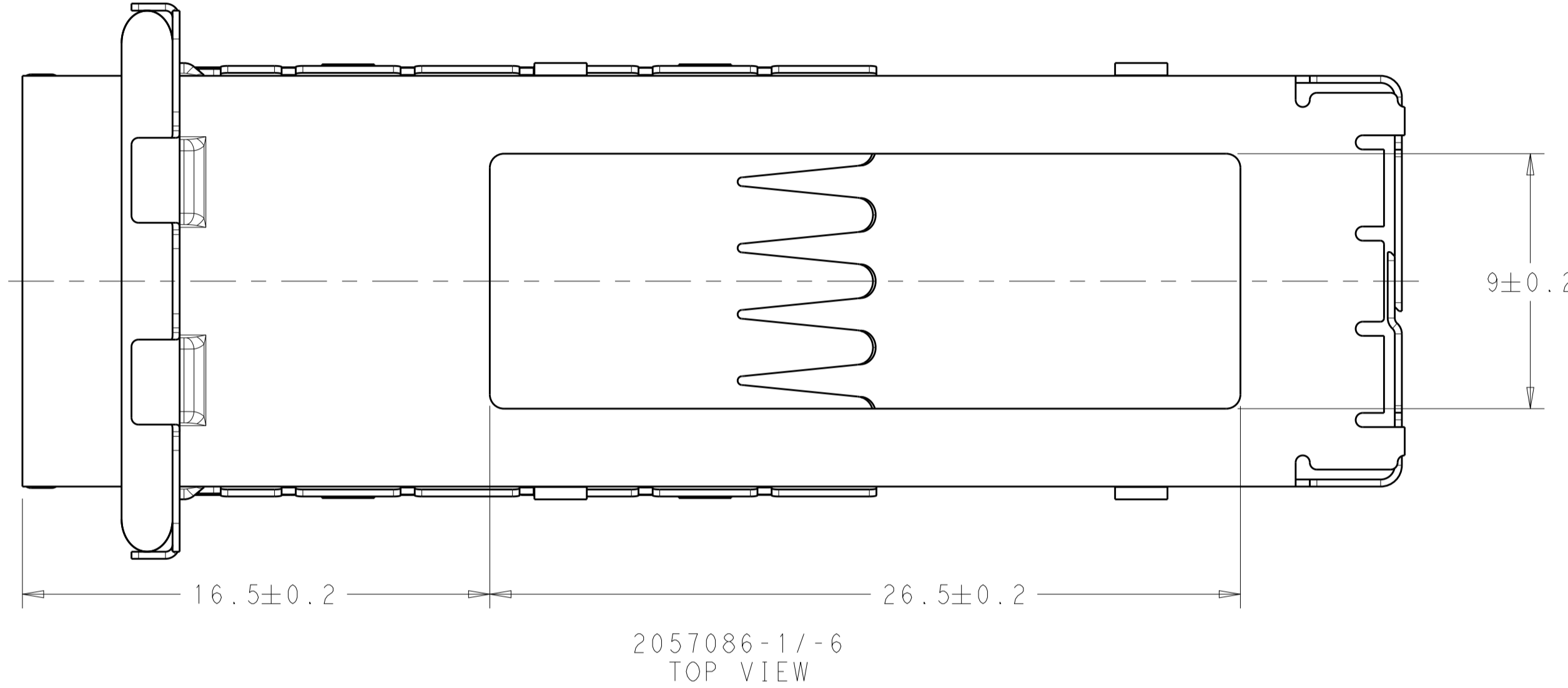
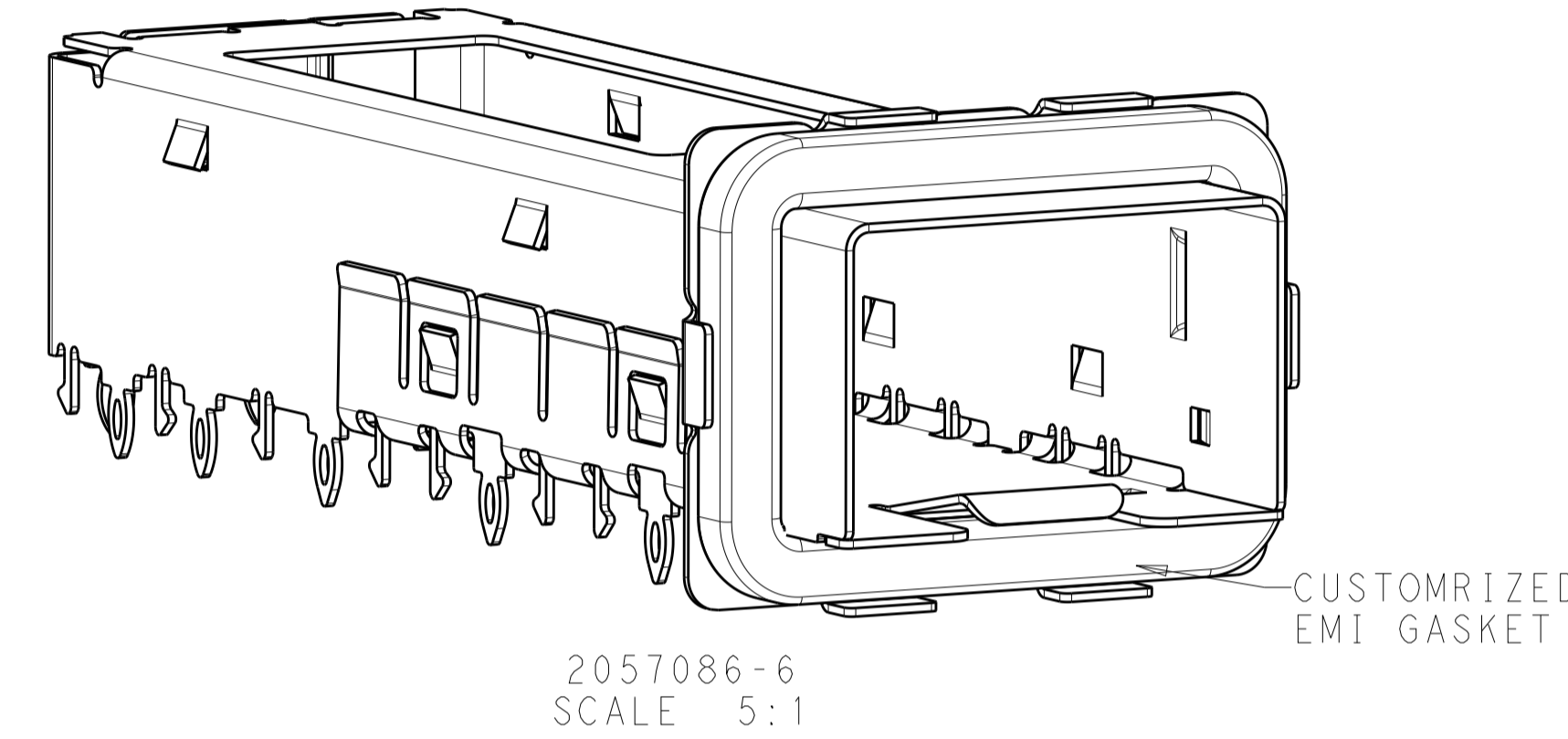
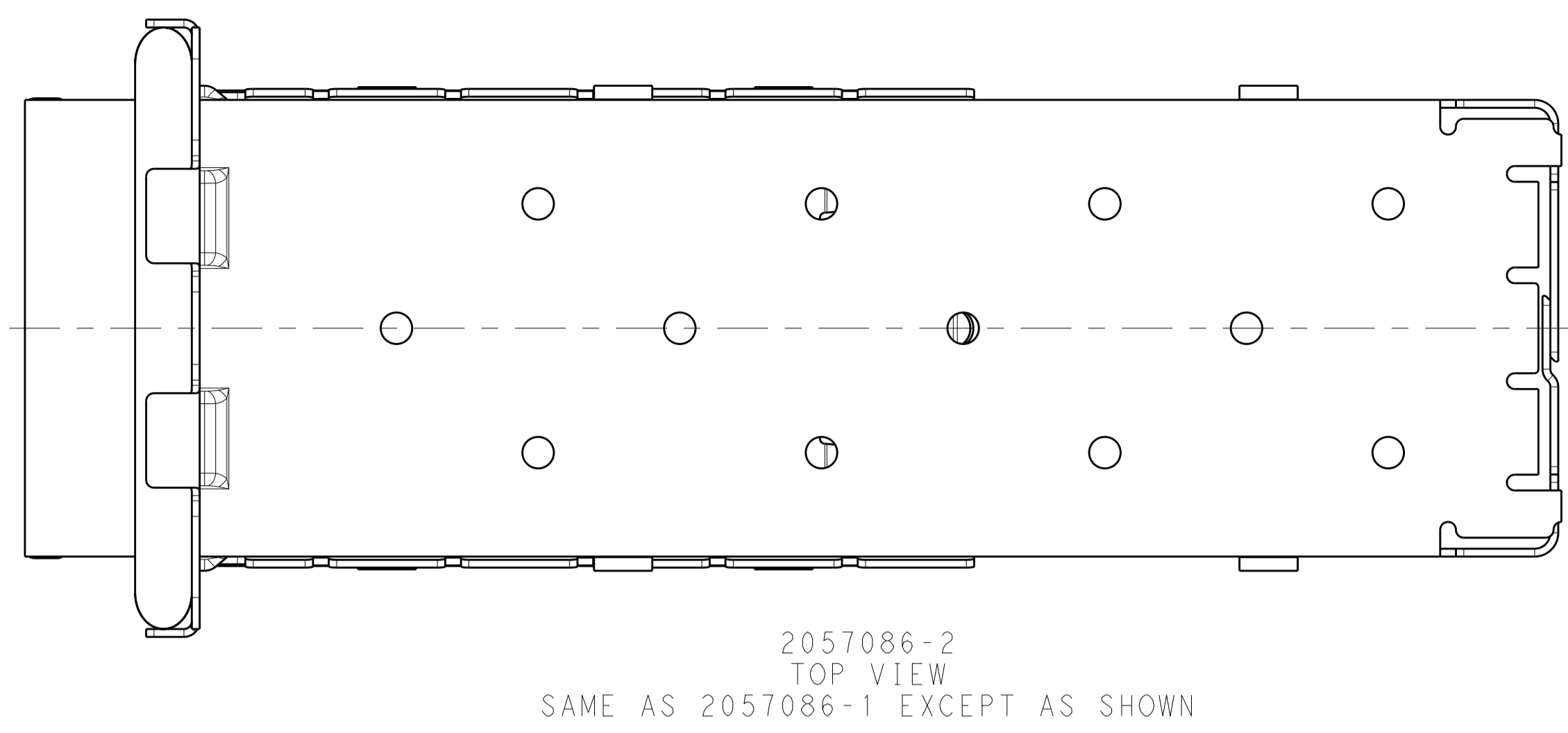
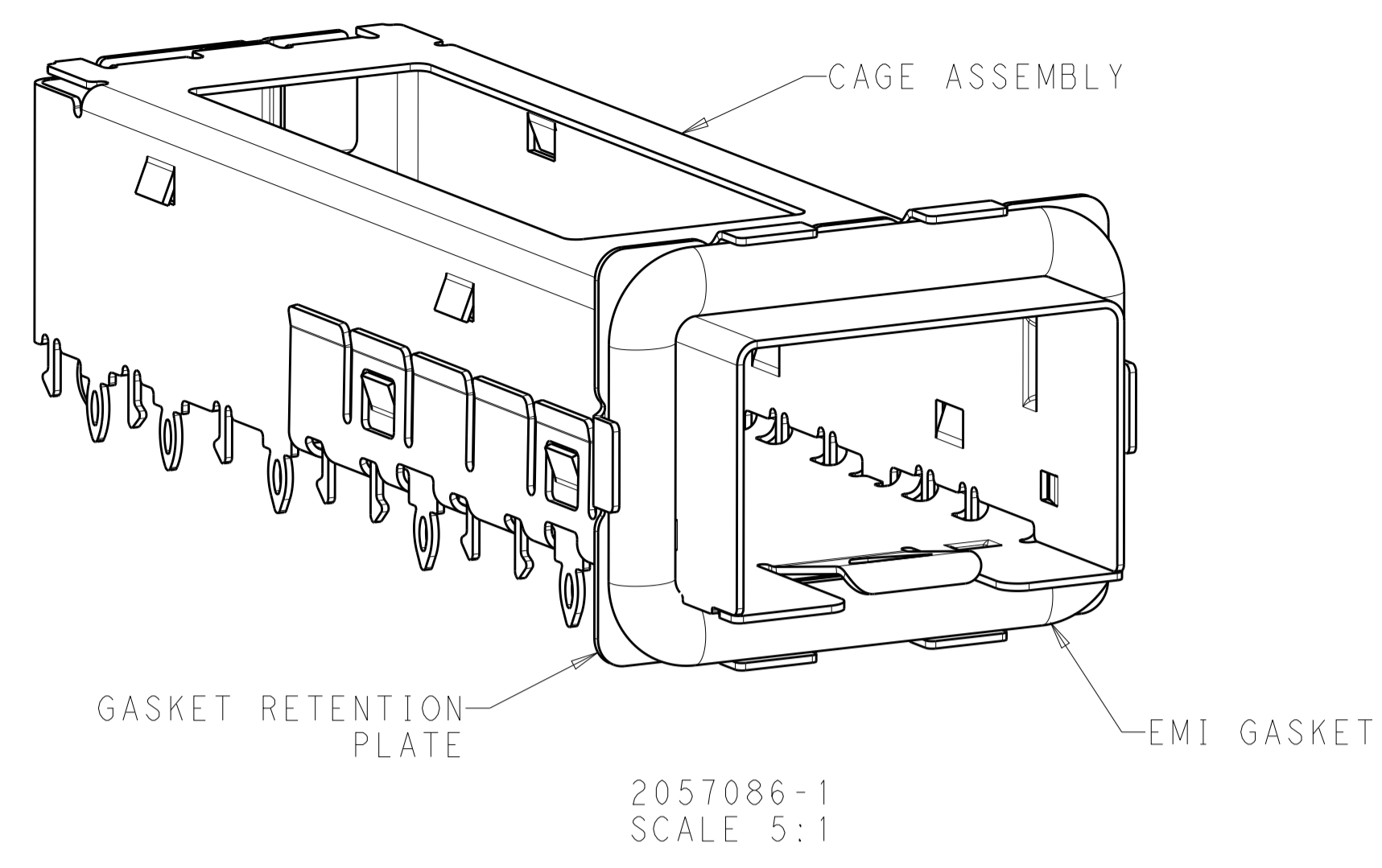
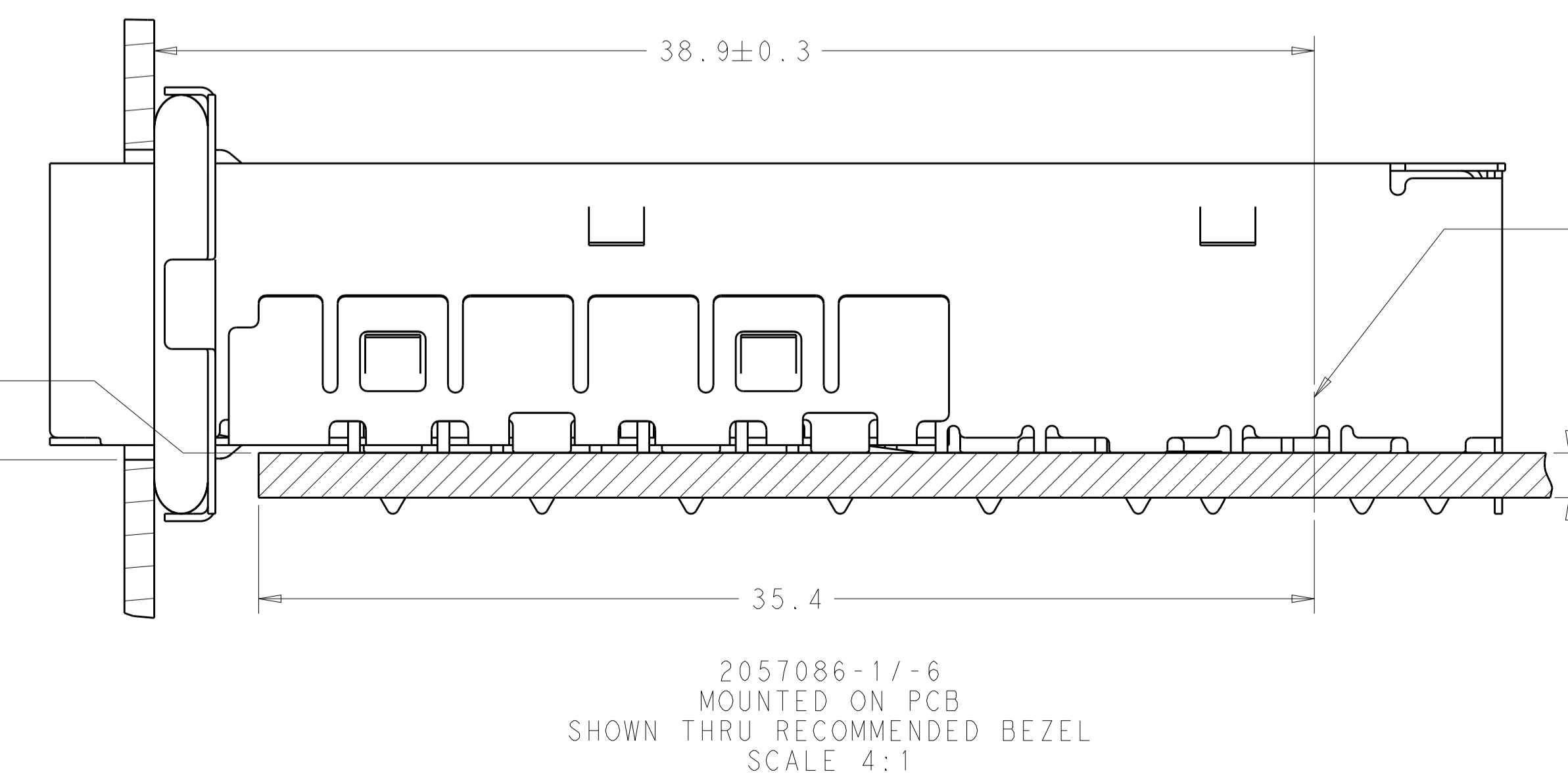
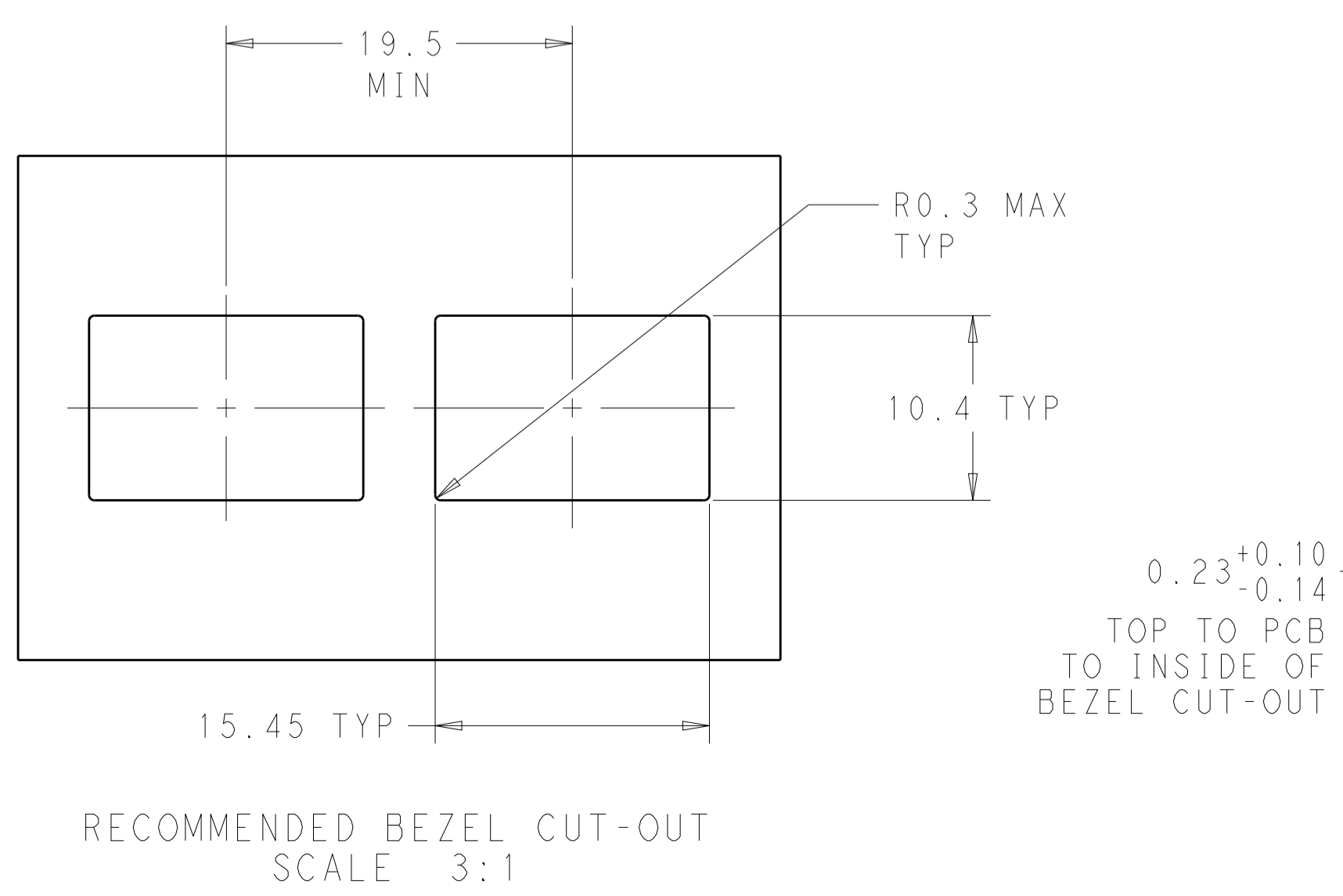
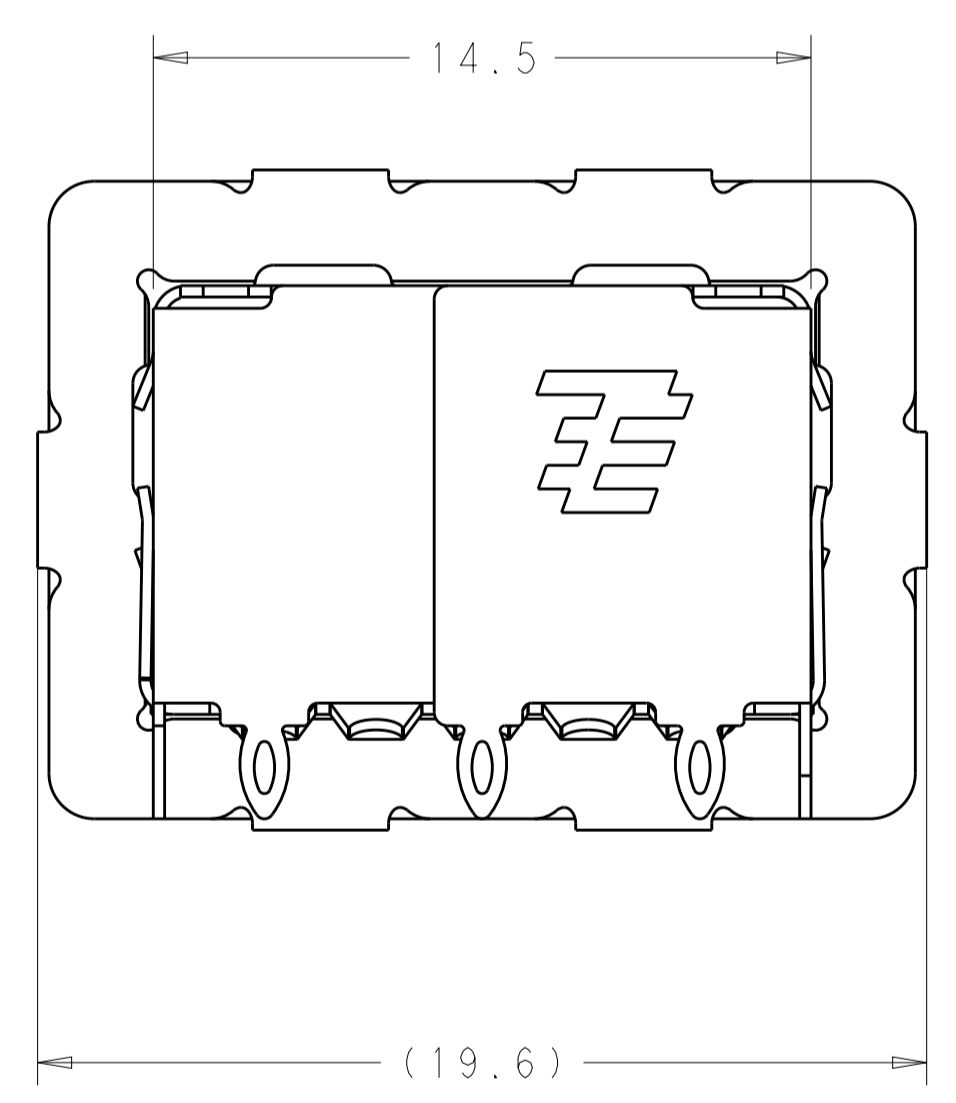
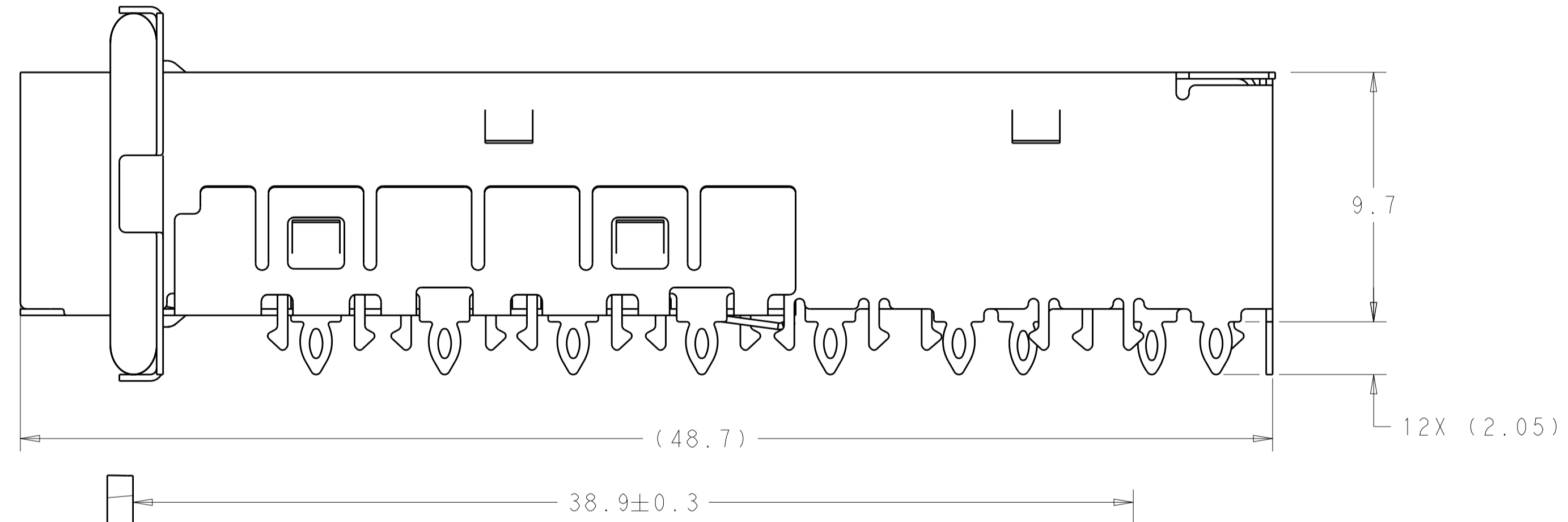
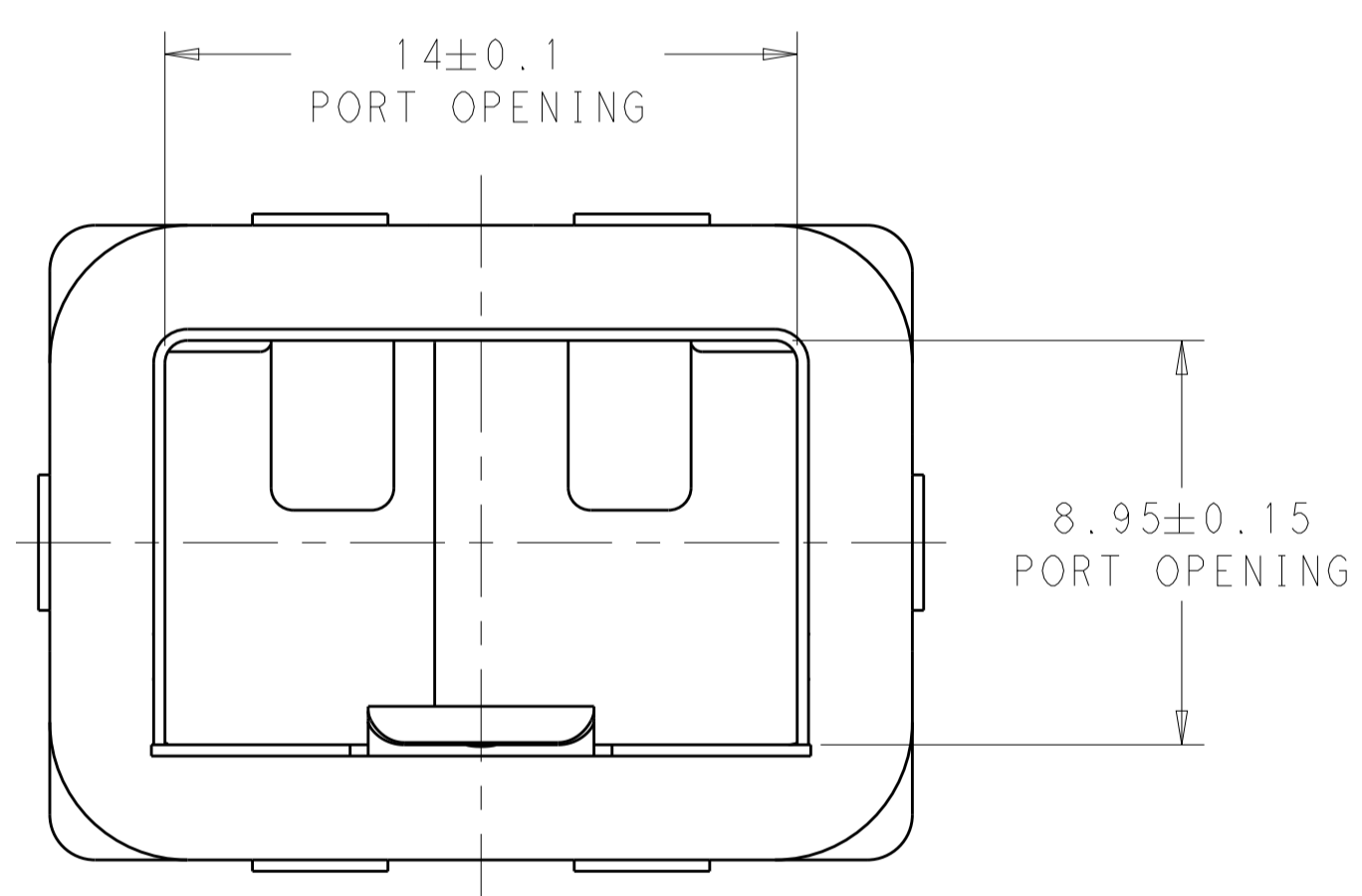


| REVISIONS |      |                           |           |         |
|-----------|------|---------------------------|-----------|---------|
| P.        | LTN. | DESCRIPTION               | DATE      | APP'D.  |
| A         |      | RELEASE PER ECO-10-025263 | 10FEB2011 | CJV JTL |
| B         |      | RELEASE PER ECO-16-009259 | 17JUN2016 | PP SH   |



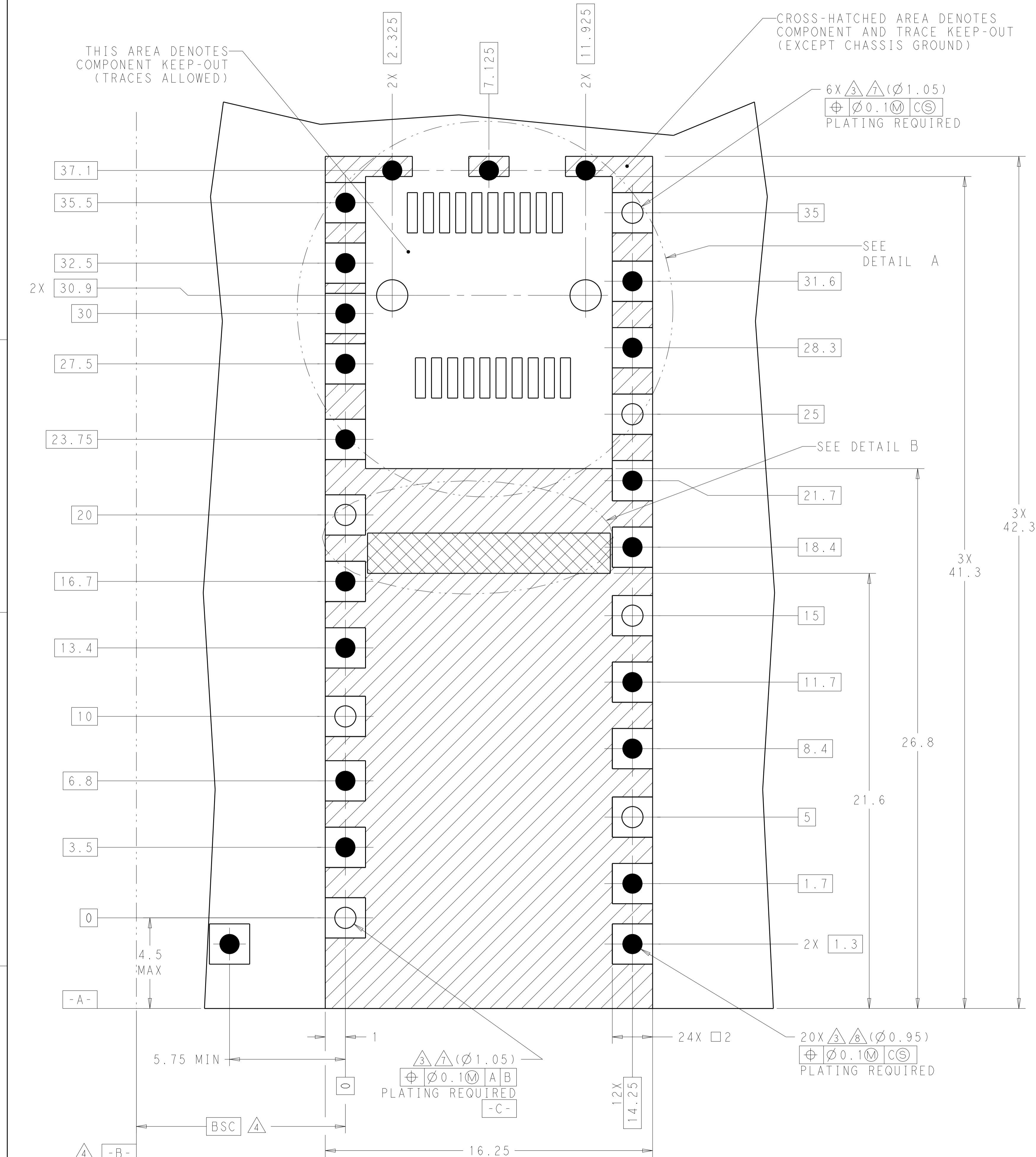
- 1 MATERIAL:  
CAGE ASSEMBLY: NICKEL SILVER ALLOY, 0.25mm THK.  
GASKET RETENTION PLATE: STAINLESS STEEL  
EMI GASKET: PLATED FILLED SILICONE
- 2 MINIMUM PC BOARD THICKNESS:  
SINGLE SIDED = 1.45mm
- 3 PADS AND VIAS CHASSIS GROUND.
- 4 DATUM AND BASIC DIMENSION ESTABLISHED BY CUSTOMER.
- 5. MATES WITH SFP MSA COMPLIANT TRANSCEIVERS.
- 6. INTERPRETATION OF DATUM REFERENCE FRAME IN ACCORDANCE WITH SECT 4.4.1.1 OF ASME Y14.5M-1994.
- 7 REFERENCE APPLICATION SPEC. 114-13120, HOLE A, FOR RECOMMENDED DRILL HOLE DIAMETER AND PLATING THICKNESS.
- 8 REFERENCE APPLICATION SPEC. 114-13120, HOLE B, FOR RECOMMENDED DRILL HOLE DIAMETER AND PLATING THICKNESS.



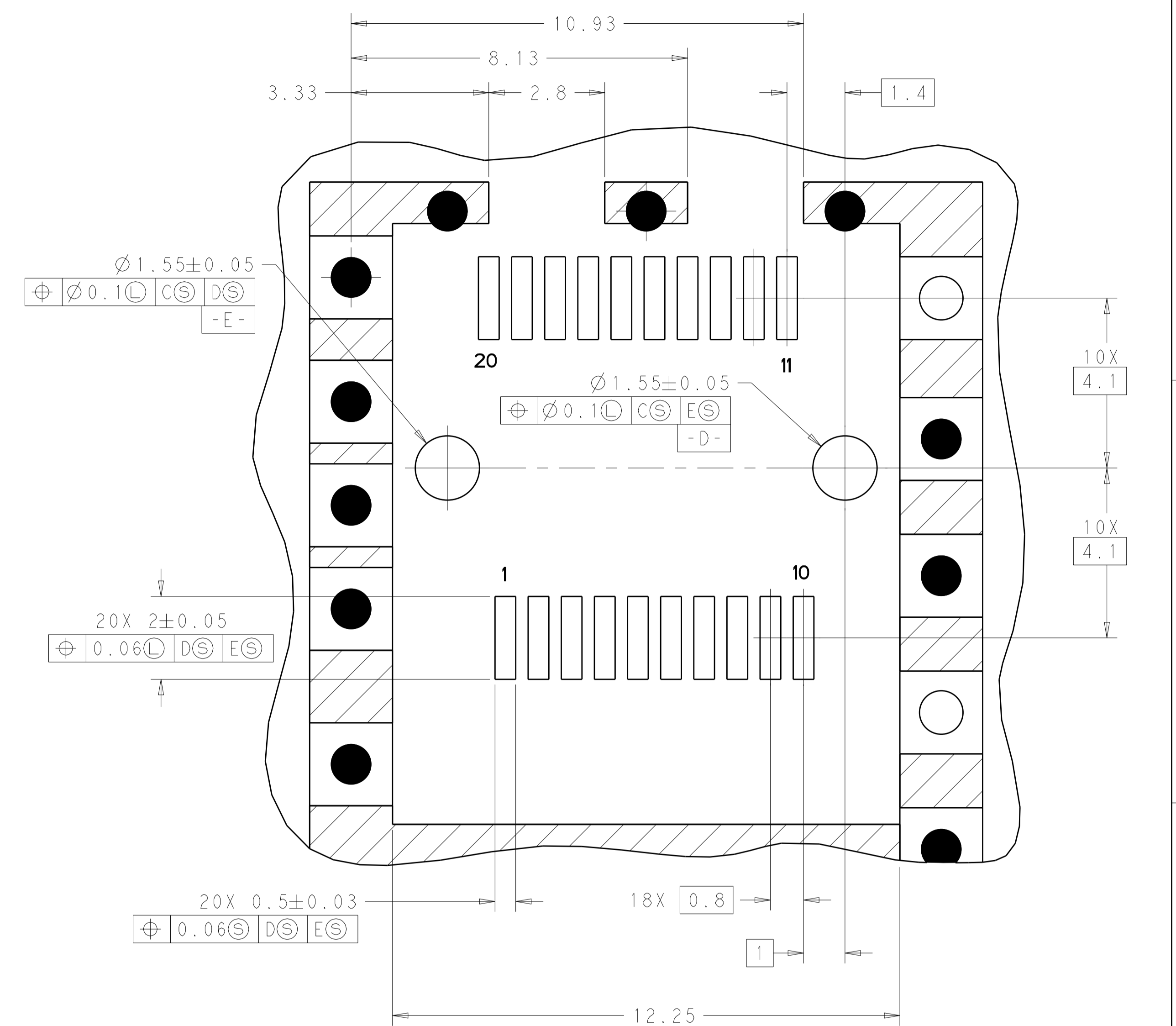
| GASKET          | DESCRIPTION          | PART NUMBER |
|-----------------|----------------------|-------------|
| CUSTOMIZED TYPE | W/ HEATSINK OPENING  | 2057086-6   |
| GENERAL TYPE    | W/O HEATSINK OPENING | 2057086-2   |
| GENERAL TYPE    | W/ HEATSINK OPENING  | 2057086-1   |

|  |  |  |                                 |
|--|--|--|---------------------------------|
| THIS DRAWING IS A CONTROLLED DOCUMENT.   |  | OWN: Z.M.BEAM 18MAR2008  | TE Connectivity                 |
| DIMENSIONS: mm   |  | CHK: M.R.SCHMITT 18MAR2008   |                                 |
| TOLERANCES UNLESS OTHERWISE SPECIFIED:   |  | APP'D: R.H.WERTZ 18MAR2008   |                                 |
| 0 PLC ±0.1<br>1 PLC ±0.1<br>2 PLC ±0.1<br>3 PLC ±0.05<br>4 PLC ±0.05<br>ANGLES ±0.05 |  | NAME: SFP+ ENHANCED 1X1 CAGE ASSEMBLY, PRESS-FIT.<br>PRODUCT SPEC: 108-2364<br>APPLICATION SPEC: 114-13120<br>SIZE: CAGE CODE DRAWING NO: A100779<br>WEIGHT: -<br>CUSTOMER DRAWING |                                 |
| MATERIAL: -  |  | RESTRICTED TO: -   | SCALE: 6:1 SHEET: 1 OF 2 REV: B |

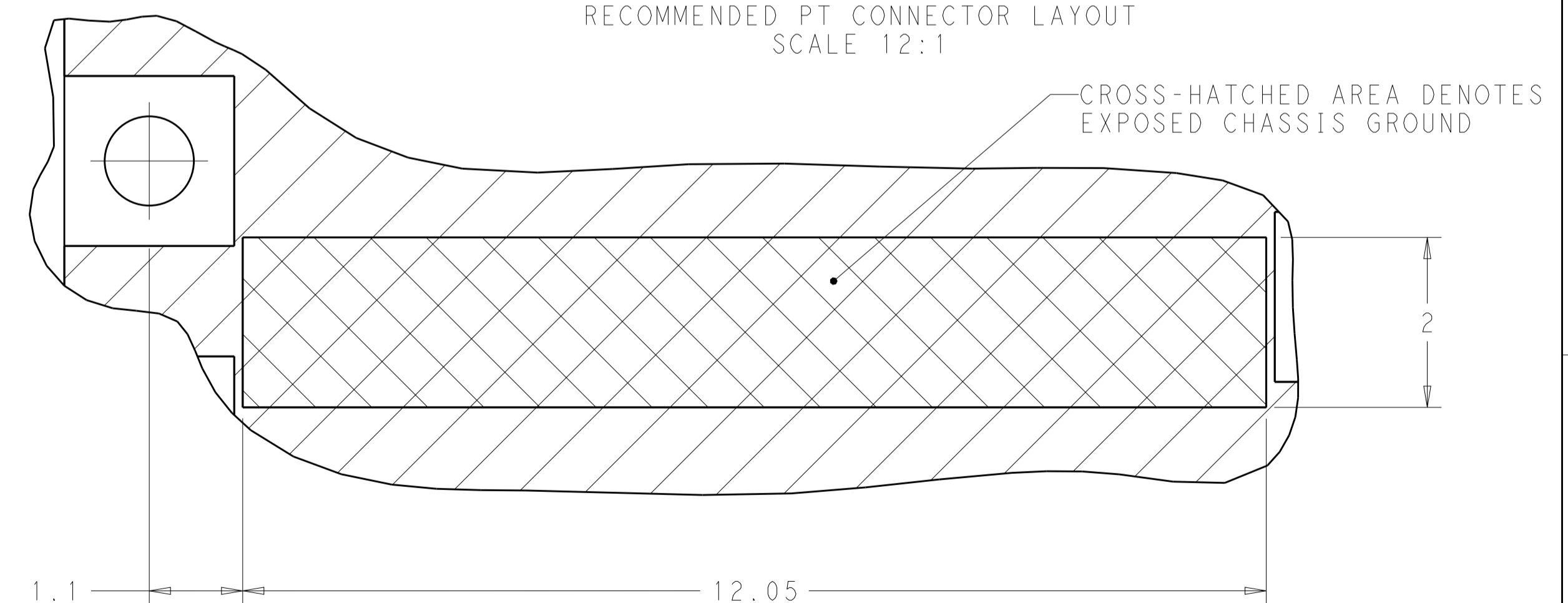
| REVISIONS |      |             |      |        |
|-----------|------|-------------|------|--------|
| P.        | LTN. | DESCRIPTION | DATE | APP'D. |
| -         | -    | SEE SHEET 1 | -    | -      |



RECOMMENDED PC BOARD CONFIGURATION WITH KEEP-OUT AREAS SCALE 9:1



DETAIL A  
 RECOMMENDED PT CONNECTOR LAYOUT  
 SCALE 12:1



DETAIL B  
 SCALE 18:1

|  |                   |                             |  |
|--|-------------------|-----------------------------|--|
| THIS DRAWING IS A CONTROLLED DOCUMENT. |                   | OWN: Z.M. REAM 18MAR2008    | TE Connectivity                                  |
| DIMENSIONS: mm                         |                   | CHK: M.B. SCHMITT 18MAR2008 |  |
| TOLERANCES UNLESS OTHERWISE SPECIFIED: |                   | APP'D: B.H. WERTZ 18MAR2008 | NAME: SFP+ ENHANCED 1X1 CAGE ASSEMBLY, PRESS-FIT |
| 0 PLC $\pm 0.1$                        | 1 PLC $\pm 0.1$   | PRODUCT SPEC: 108-2364      | SIZE: CAGE CODE DRAWING NO: A100779              |
| 2 PLC $\pm 0.1$                        | 3 PLC $\pm 0.05$  | APPLICATION SPEC: 114-13120 | RESTRICTED TO: -                                 |
| 4 PLC $\pm 0.05$                       | ANGLES $\pm 0.05$ | WEIGHT: -                   | SCALE: 6:1 SHEET 2 OF 2 REV B                    |
| MATERIAL: -                            | FINISH: -         | CUSTOMER DRAWING            |  |

# Mouser Electronics

Authorized Distributor

Click to View Pricing, Inventory, Delivery & Lifecycle Information:

[TE Connectivity:](#)

[2057086-2](#)