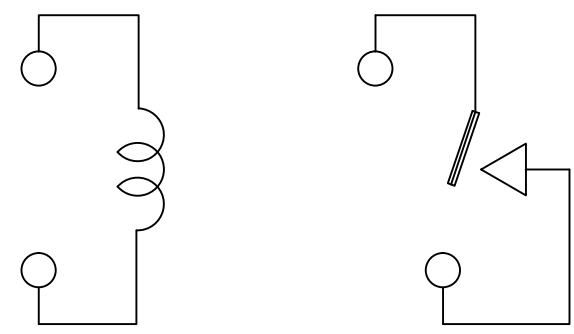
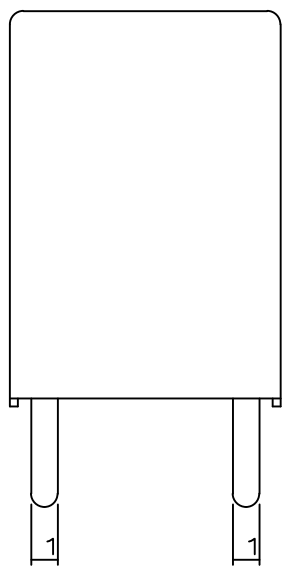
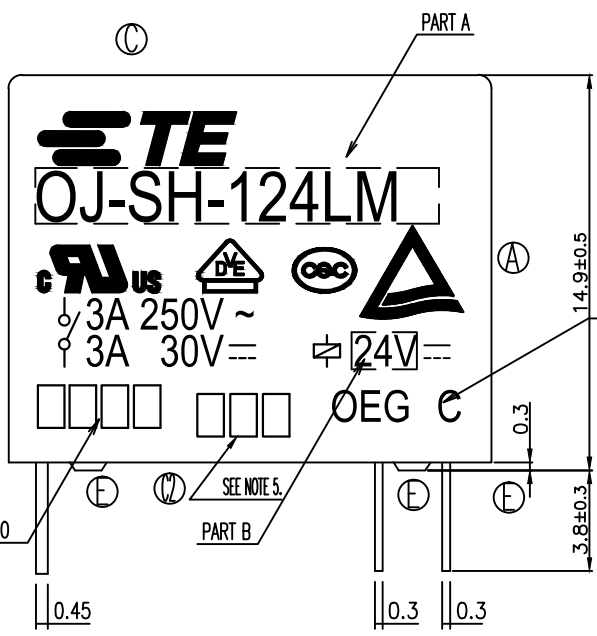
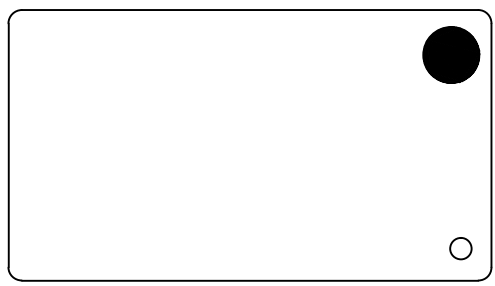


THIS DRAWING IS UNPUBLISHED. RELEASED FOR PUBLICATION  
 © COPYRIGHT - By - TE CONNECTIVITY ALL RIGHTS RESERVED.

LOC	DIST	REVISIONS				
P	LTR	DESCRIPTION	DATE	DWN	APVD	
HB	-	E	REMOVED THE RIB ON THE BASE TO CASE ECO-15-011310	03DEC2015	YS.H	CHL

D  
C  
B  
A

D  
C  
B  
A



CONNECTION FIGURE

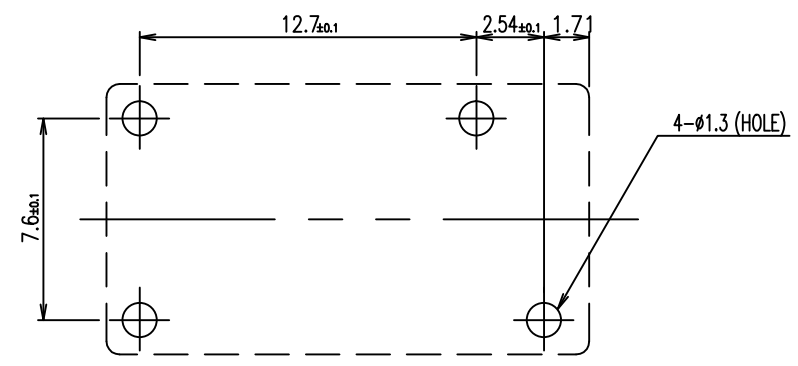
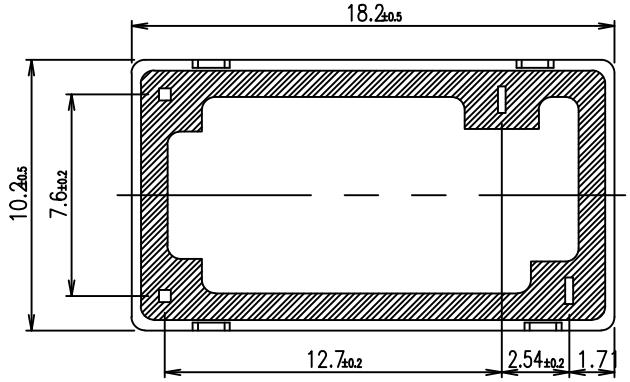


FIGURE FOR PRINTED CIRCUIT BOARD PROCESSING (BOTTOM VIEW)



THIS DRAWING IS A CONTROLLED DOCUMENT.		DWN	H.Sasaki		
DIMENSIONS: mm		CHK	Y.Oikawa		
TOLERANCES UNLESS OTHERWISE SPECIFIED:		APVD	A.Nagai		
0 PLC ± -		PRODUCT SPEC	-		
1 PLC ± -		APPLICATION SPEC	-		
2 PLC ± -		WEIGHT	-		
3 PLC ± -		CUSTOMER DRAWING	-		
4 PLC ± -		SCALE	5:1		
ANGLES ± -		SHEET	1 OF 2		
MATERIAL	FINISH	SIZE	CAGE CODE	DRAWING NO	RESTRICTED TO
-	-	A3	00779	1461404	-
		REV	E		



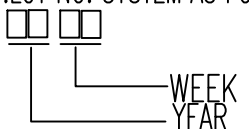
OJ-SH-LM SPEC,000 CUSTOMER DRAWING

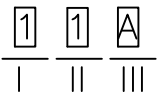
THIS DRAWING IS UNPUBLISHED. RELEASED FOR PUBLICATION - . - .  
 © COPYRIGHT - By - TE CONNECTIVITY ALL RIGHTS RESERVED.

LOC	DIST	REVISIONS					
HB	-	P	LTR	DESCRIPTION	DATE	DWN	APVD
		-		SEE SHEET 1	-	-	-

1461404-4	QJ-SH-124LM, 000	107-79010	24V	QJ-SH-124LM	f
1461404-6	QJ-SH-112LM, 000	107-79010	12V	QJ-SH-112LM	e
1461404-3	QJ-SH-109LM, 000	107-79010	9V	QJ-SH-109LM	d
1461404-2	QJ-SH-106LM, 000	107-79010	6V	QJ-SH-106LM	c
1461404-1	QJ-SH-105LM, 000	107-79010	5V	QJ-SH-105LM	b
1461404-5	QJ-SH-103LM, 000	107-79010	3V	QJ-SH-103LM	a
TE CONNECTIVITY PART NUMBER	TE CONNECTIVITY TYPE NAME	PACKAGE SPEC,	PART B	PART A	TYPE

RELAY TYPE

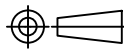
ⒸⒶ NOTE:  
 1. LOT NO. SYSTEM AS FOLLOWING:  


Ⓒ 5. ADD LOT NO. SYSTEM AS FOLLOWING;  


- Ⓒ 2. TERMINAL DIMENSION IS BEFORE SOLDER DIP;
- Ⓒ 3. FOR THE TIN-PLATING OF THE PINS:  
 +0.1mm FOR WIDTH, THICKNESS AND DIAMETER.  
 +0.5mm FOR LENGTH.
- Ⓒ 4. USED WELDED CONTACT & LASER MARKING.

I, DIGITS FOR DAY OF THE WEEK  
 1...MONDAY IN THIS WEEK;  
 2...TUESDAY IN THIS WEEK;  
 .....  
 7...SUNDAY IN THIS WEEK  
 II, DIGITS FOR SHIFT OF THE DAY  
 1...DAY SHIFT IN THIS DAY;  
 2...NIGHT SHIFT IN THIS DAY;  
 III, ONE CHARACTER DISTINGUISH THE LINE IDENTITY, SUCH AS: A,B.....Z

		UV RESIN	SEAL (VENT HOLE)	16
		EPOXY RESIN	SEAL (BASE & BOBBIN)	15
		JUEW	MAGNETIC WIRE	14
94V-0		P.B.T	CASE	13
94V-0		P.B.T	BASE	12
94V-0		P.B.T	BOBBIN	11
	SOLDER DIP	C.P WIRE	COIL TERMINAL	10
94V-0		P.P.S	CARD	9
		Ag	MOVABLE CONTACT	8
		Ag	NO.CONTACT	7
		STEEL	HINGE SPRING	6
	SOLDER DIP	Cu ALLOY	NO.TERMINAL	5
	SOLDER DIP	Cu ALLOY	MOVABLE SPRING	4
	NIP	STEEL	CORE	3
	NIP	STEEL	ARMATURE	2
	NIP	STEEL	YOKE	1
INCOMBUSTIBILITY	TREATMENT	MATERIAL	DESCRIPTION	ITEM

THIS DRAWING IS A CONTROLLED DOCUMENT.		DWN	H.Sasaki	
DIMENSIONS: mm		CHK	Y.Oikawa	
TOLERANCES UNLESS OTHERWISE SPECIFIED:		APVD	A.Nagai	
		PRODUCT SPEC	-	
0 PLC ± - 1 PLC ± - 2 PLC ± - 3 PLC ± - 4 PLC ± - ANGLES ± -		APPLICATION SPEC	-	
MATERIAL	FINISH	WEIGHT	-	
-	-	CUSTOMER DRAWING	-	
		SIZE	CAGE CODE	DRAWING NO
		A3	00779	1461404
		RESTRICTED TO	-	
		SCALE	SHEET	REV
		5:1	2 OF 2	E



QJ-SH-LM SPEC,000 CUSTOMER DRAWING

# Mouser Electronics

Authorized Distributor

Click to View Pricing, Inventory, Delivery & Lifecycle Information:

[TE Connectivity:](#)

[1461404-1](#)