

PLEASE CHECK WWW.MOLEX.COM FOR LATEST PART INFORMATION

Part Number: [0437600001](#)
Status: **Active**
Overview: [Mini-Fit® BMI](#)
Description: Mini-Fit BMI Receptacle Housing, 4.20mm Pitch, Dual Row with Panel Mount Ears, PA Polyamide Nylon 6/6, UL 94V-2, 36 Circuits

Documents:

[3D Model](#) [Packaging Specification PK-40873-0134-001 \(PDF\)](#)
[Drawing \(PDF\)](#) [RoHS Certificate of Compliance \(PDF\)](#)

Agency Certification

CSA LR19980
 UL E29179

General

Product Family Crimp Housings
 Series [43760](#)
 Application Power, Wire-to-Board, Wire-to-Wire
 Comments Current = 13A max. per circuit when header is mated to a receptacle loaded with [45750](#) series terminals crimped to 16 AWG wire. . See Molex product specification PS-45750-001 for additional current derating information.. Must be used with HCS female terminal.

Overview [Mini-Fit® BMI](#)
 Product Name Mini-Fit BMI
 UPC 800753683341

Physical

Circuits (maximum) 36
 Color - Resin Natural
 Flammability 94V-0
 Gender Receptacle
 Glow-Wire Capable No
 Lock to Mating Part None
 Material - Resin Nylon
 Net Weight 10.440/g
 Number of Rows 2
 Packaging Type Bag
 Panel Mount Yes
 Pitch - Mating Interface 4.20mm
 Polarized to Mating Part Yes
 Stackable No
 Temperature Range - Operating -40° to +105°C

Electrical

Current - Maximum per Contact 13.0A

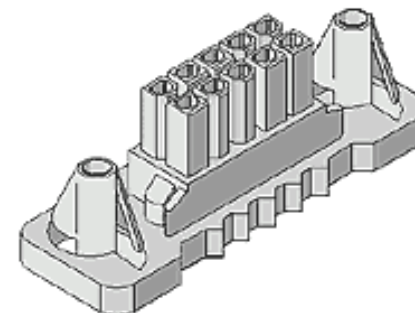
Solder Process Data

Lead-freeProcess Capability N/A

Material Info

Reference - Drawing Numbers

Packaging Specification PK-40873-0134-001
 Sales Drawing SD-43760-001



Series image - Reference only

EU ELV

Not Relevant

EU RoHS

Compliant

REACH SVHC

Not Contained Per - ED/61/2018 (27 June 2018)

Halogen-Free

Status

Low-Halogen

Need more information on product environmental compliance?

Email productcompliance@molex.com
 Please visit the [Contact Us](#) section for any non-product compliance questions.

China ROHS

ELV

Prop65

RoHS Phthalates

Green Image

Not Relevant

Compliant

Not Contained

Search Parts in this Series

[43760](#) Series

Mates With

[43770-0001](#) Mini-Fit BMI Panel Mount Plug,
[43759](#) Mini-Fit BMI Right Angle Headers

Use With

[43770-0001](#) Mini-Fit BMI Panel Mount Plug,
[43759](#) Mini-Fit BMI Right Angle Headers,
[45750](#) Mini-Fit Plus HCS Crimp Terminal

This document was generated on 09/11/2018

PLEASE CHECK WWW.MOLEX.COM FOR LATEST PART INFORMATION

Mouser Electronics

Authorized Distributor

Click to View Pricing, Inventory, Delivery & Lifecycle Information:

[Molex:](#)

[43760-0001](#)