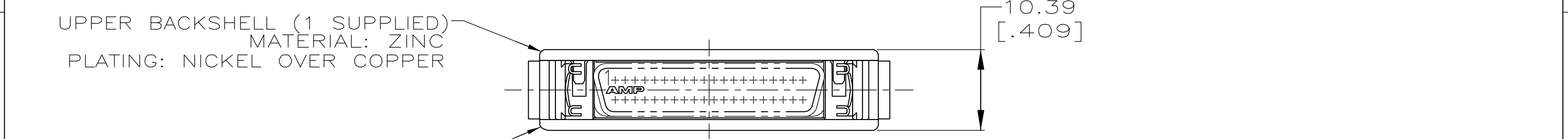
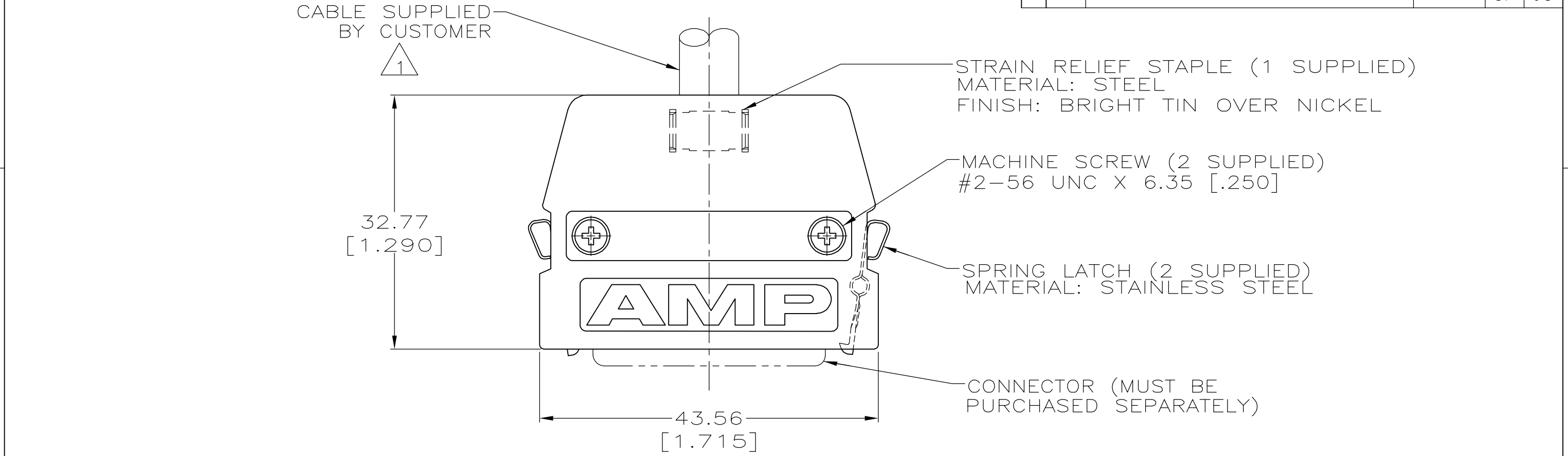


THIS DRAWING IS UNPUBLISHED. RELEASED FOR PUBLICATION
 © COPYRIGHT BY TYCO ELECTRONICS CORPORATION. ALL RIGHTS RESERVED.

LOC	DIST	REVISIONS					
GP	00	P	LTR	DESCRIPTION	DATE	DWN	APVD
			0	RELEASED PER EC OS13-0001-05	25AUG05	GP	JG



**COPYRIGHT 2005
 TYCO ELECTRONICS CORP
 ALL RIGHTS RESERVED**

5749192-1

PART NO

- 1 8.13 [.320] MAX CABLE DIA.
- 2. PARTS PACKAGED AS A UNIT KIT.

THIS DRAWING IS A CONTROLLED DOCUMENT.		DWN G.PETERS 25AUG05	Tyco Electronics Corporation Harrisburg, PA 17105-3608	
DIMENSIONS: INCHES		CHK S.SHUEY 25AUG05		
		APVD M.WALMSLEY 25AUG05	NAME KIT, UNASSEMBLED, 40 POSITION, STRAIGHT EXIT, UNKEYED, AMPLIMITE .050 Series	
TOLERANCES UNLESS OTHERWISE SPECIFIED:		PRODUCT SPEC	RESTRICTED TO	
0 PLC ± -		APPLICATION SPEC	SIZE	CAGE CODE
1 PLC ± -		WEIGHT	A3	00779
2 PLC ± -		CUSTOMER DRAWING	DRAWING NO	C=5749192
3 PLC ± 0.38[.105]		SCALE	1:1	SHEET 1 OF 1
4 PLC ± -		REV	0	
ANGLES ± -				
FINISH				
MATERIAL				

Mouser Electronics

Authorized Distributor

Click to View Pricing, Inventory, Delivery & Lifecycle Information:

[TE Connectivity:](#)

[5749192-1](#)