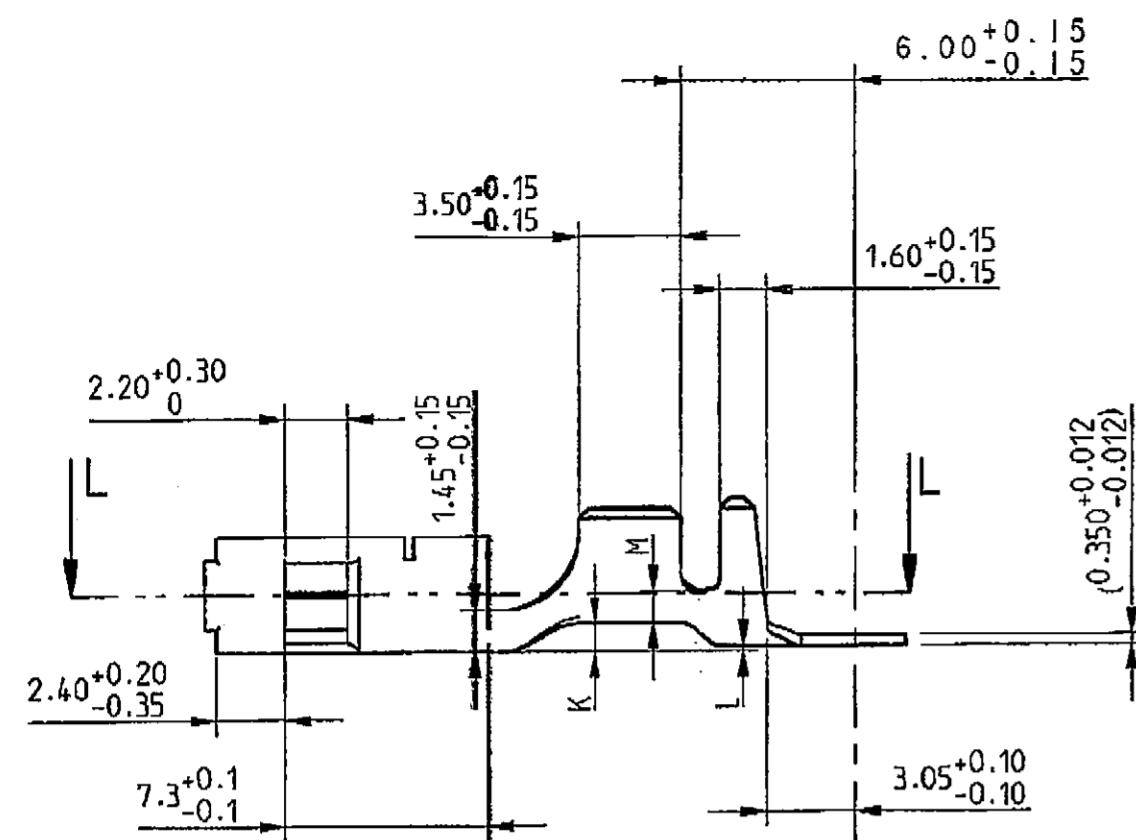


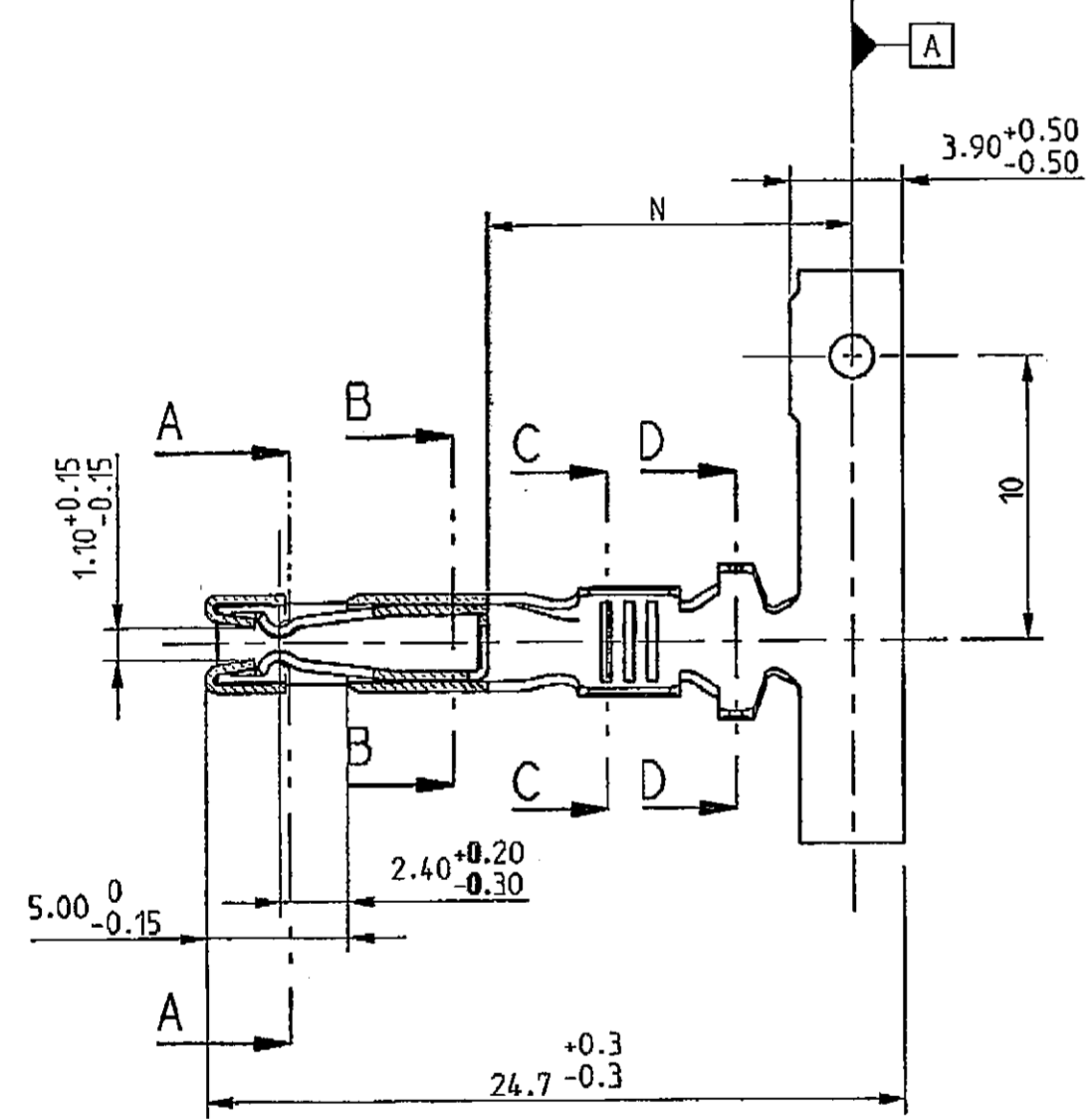
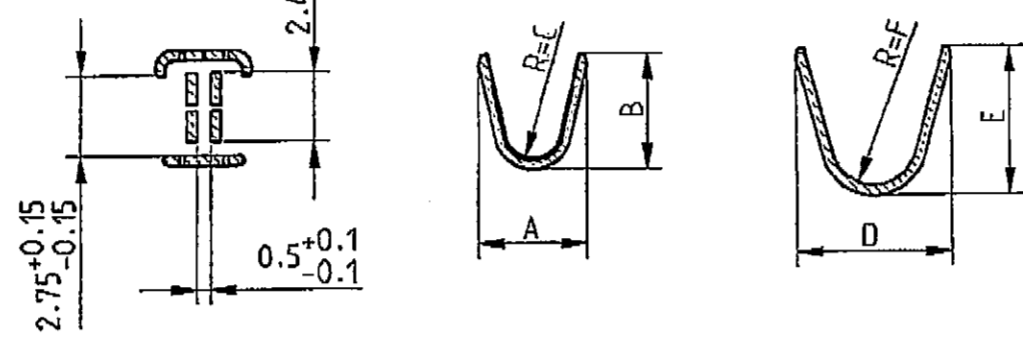
STRICTLY CONFIDENTIAL



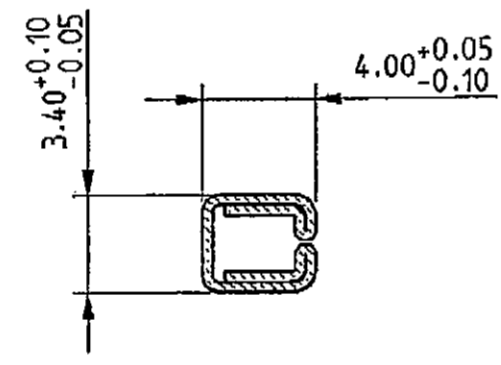
SECTION A-A

SECTION C-C

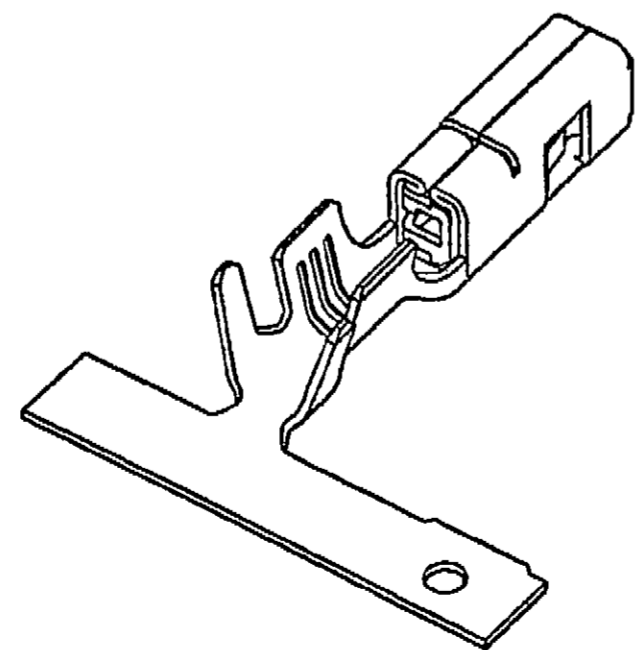
SECTION D-D



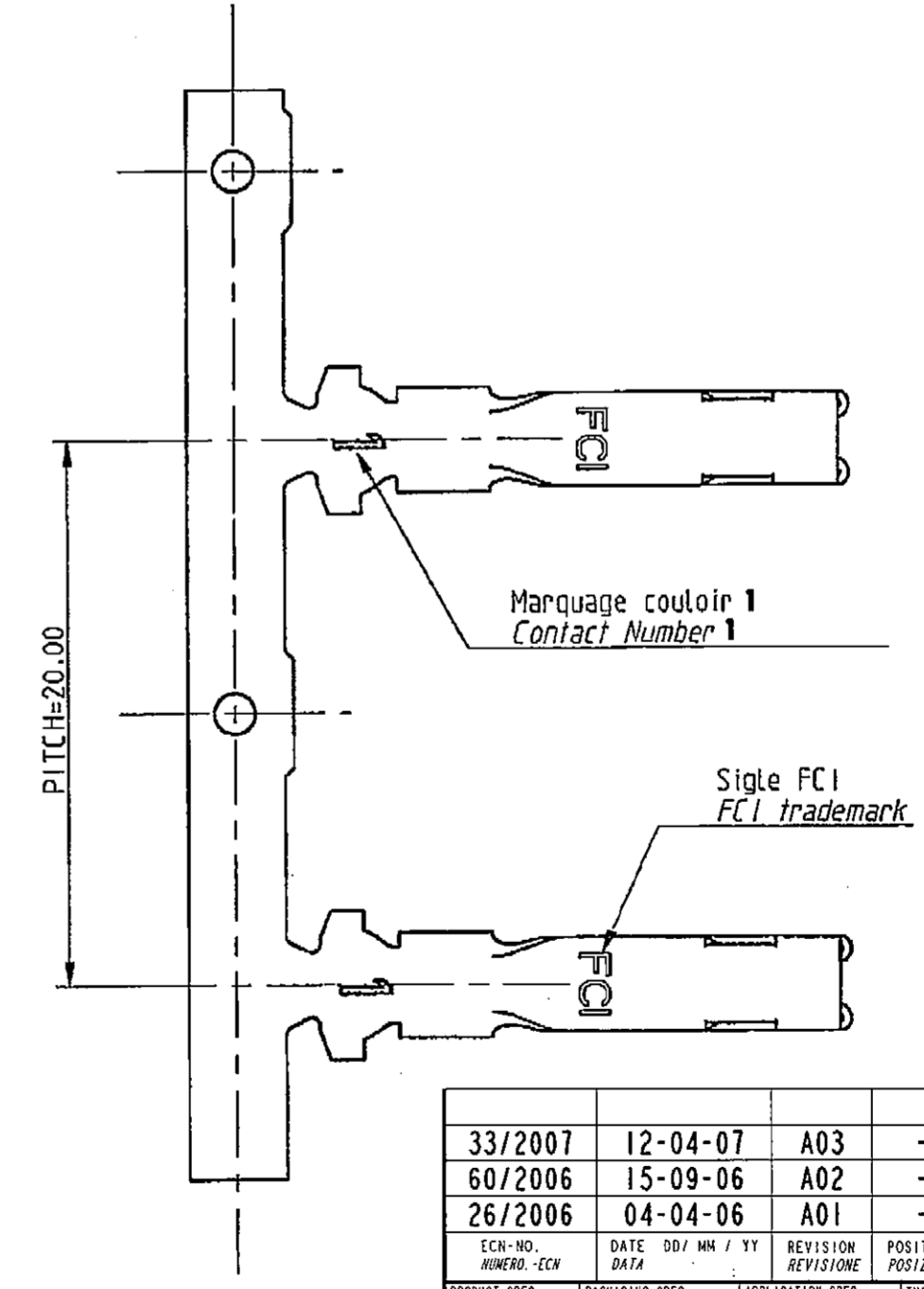
SECTION B-B



1/2 SECTION L-L



REFERENCES							MATERIAL	CLASSE
STATE	UNSEALED	SWS	UNSEALED	SWS	UNSEALED	SWS	CuMgI	125/155°
Pre-Tinned Sn 3 To 6 u	17060001	17062000	17060000	17062010	17060002	17062020		
Post-Gilded 0.2 u int/ext	17062004	17062044	17062014	17062054	-	-		
Section	0.35 - 0.75		1 - 2.5		3.0 - 5.0			
∅ Insulation	1.2 to 1.9		1.9 to 3.0		3.2 to 4.0			
A	2.55		3.8		4.7			
B	2.6		4.0		4.95			
C	0.6		1.0		1.0			
D	3.85		4.5		6.45			
E	4.0		4.6		6.60			
F	1.15		1.4		1.5			
K±0.2	0.85		1.0		0.15			
L±0.2	0.75		0.2		-0.20			
M	1.4		0.85		2.3			
N	13.0		12.7		12.9			



33/2007	12-04-07	A03	-	Added Part Numbers for range 3.0-5.0	
60/2006	15-09-06	A02	-	Added Part Numbers for SWS and Gold Version	F.G. G.B. M.C.
26/2006	04-04-06	A01	-	UPDATE DRAWING	F.G. G.B. M.C.
ECH-NO. NUMERO - ECH	DATE DD / MM / YY DATA	REVISION REVISIONE	POSITION POSIZIONE	CHANGE DESCRIPTION DESCRIZIONE MODIFICA	DRAWN BY CHK. BY APPR. BY DISEGNATORE CONTROLLATO APPROVATO
PRODUCT SPEC. SPEC. DI PRODOTTO	PACKAGING SPEC. SPEC. DI IMBALLAGGIO	APPLICATION SPEC. SPEC. DI APPLICAZIONE	THIS DRAWING AND ALL OTHER INFORMATION CONTAINED THEREIN IS PROPRIETARY AND THE PROPERTY OF FCI. This drawing may not be copied, reproduced or disclosed to any third party without the expressed written permission of FCI. © FCI April 1999		
TOLERANCES TOLLERANZE	± 0.2 mm - / ± 0.2	MATERIAL: MATERIALE	SURFACE FINISH FINITURA SUPERFICIALE		
COUNTERPART No. CONTROPARTE No.		SEE TABLE	FCI		
DO NOT SCALE DRAWING DISEGNO FUORI SCALA			ISO PROJECTION PROIEZIONE ISO		
DRAWN BY DISEGNATORE	30-11-05 F. GIRARD		DIMENSION IN MILLIMETERS DIMENSIONI IN MILLIMETRI		
CHECKED BY CONTROLLATO	30-11-05 M. COLOMBO		DWS SIZE FORMATO		
APPROVED BY APPROVATO			A2		
ESH NO. NUMERO ESP	EU -	CAT. NO. NUMERO CAT.	SEE TABLE	DRAWING NUMBER NUMERO DISEGNO	FSD 309881
				FILE NAME NUMERO FILE	FSD 309881
				SCALE SCALA	4:1

Mouser Electronics

Authorized Distributor

Click to View Pricing, Inventory, Delivery & Lifecycle Information:

[Aptiv:](#)

[17062010](#) [17062000](#) [17062010-L](#)