

4

3

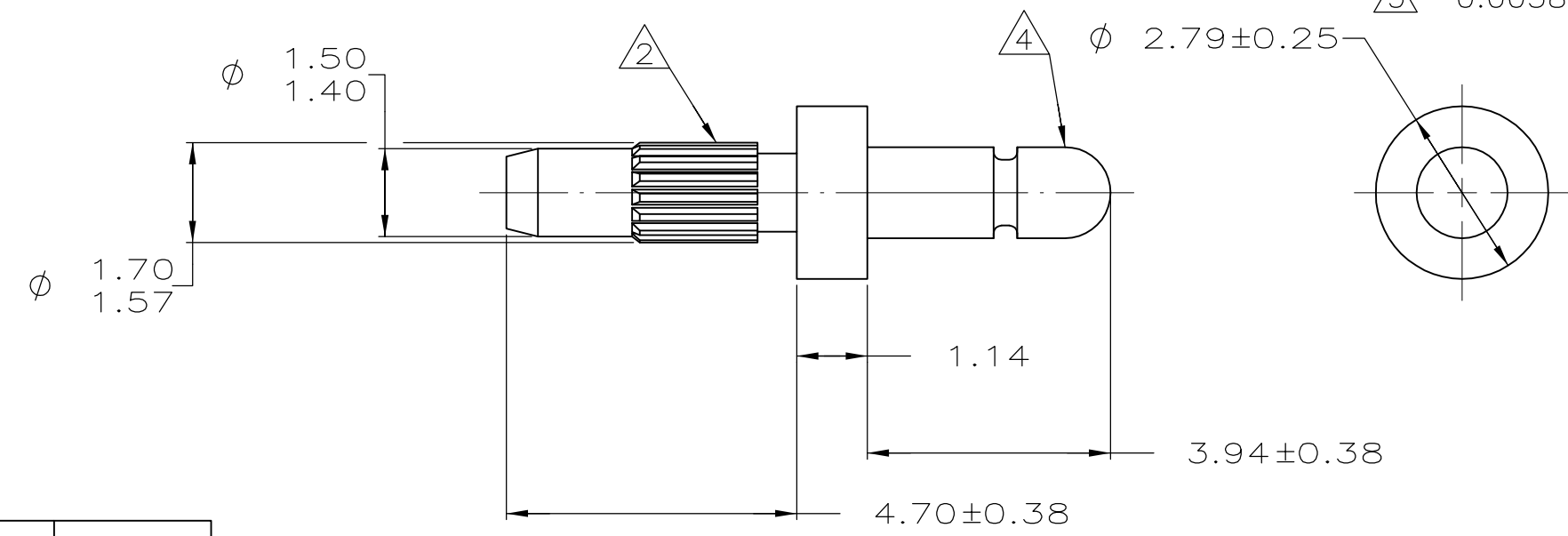
2

1

THIS DRAWING IS UNPUBLISHED. RELEASED FOR PUBLICATION  
 © COPYRIGHT - TE Connectivity ALL RIGHTS RESERVED.

REVISIONS				
P	LTR	DESCRIPTION	DATE	APVD
	H2	REVISED PER ECR-17-013215	18SEP17	J.Z D.Z

- ① 0.00381 MIN BRIGHT TIN LEAD PLATING ALL OVER.
- ② REED STRAIGHT TOOTH KNURL CS 80-80 T.P.I., 125 TEETH, 70° INCLUDED ANGLE. FITS 1.50 - 1.57 DIAMETER HOLE IN A 3.18 PRINTED CIRCUIT BOARD.
- 3. PARTS TO COMPLY WITH AMP SOLDERABILITY SPECIFICATION 109-11-3.
- ④ MATES WITH AMP PARTS 60354 AND 60598.
- ⑤ 0.00381 MIN BRIGHT TIN PLATING ALL OVER.



mm	in
4.70	.185
3.94	.155
3.18	.125
2.79	.110
1.70	.067
1.57	.062
1.50	.059
1.47	.058
1.40	.055
1.14	.045
0.38	.015
0.25	.010
0.13	.005
0.00381	0.000150
MM	IN

**METRIC**

⑤	3-60753-2
⑤	60753-2
FINISH	PART NUMBER

THIS DRAWING IS A CONTROLLED DOCUMENT.		DWN K. WHITAKER 12JUL2006	<b>TE</b> TE Connectivity	
DIMENSIONS: mm		CHK D. BOSSI 12JUL2006		
TOLERANCES UNLESS OTHERWISE SPECIFIED:		APVD D. BOSSI 12JUL2006	NAME PIN, .058 DIAMETER, BRASS, KNURLED, P.C. CONTACT	
0 PLC ± -		PRODUCT SPEC 108-1025	SIZE A3	
1 PLC ± -		APPLICATION SPEC 114-1008	CAGE CODE 00779	DRAWING NO C-60753
2 PLC ± 0.13		WEIGHT 0.000000	RESTRICTED TO -	
3 PLC ± -		CUSTOMER DRAWING		
4 PLC ± -		SCALE 10:1	SHEET 1 OF 1	REV H2
4 PLC ANGLES ± -				
MATERIAL BRASS	FINISH SEE TABLE			

# Mouser Electronics

Authorized Distributor

Click to View Pricing, Inventory, Delivery & Lifecycle Information:

[TE Connectivity:](#)

[3-60753-2](#)