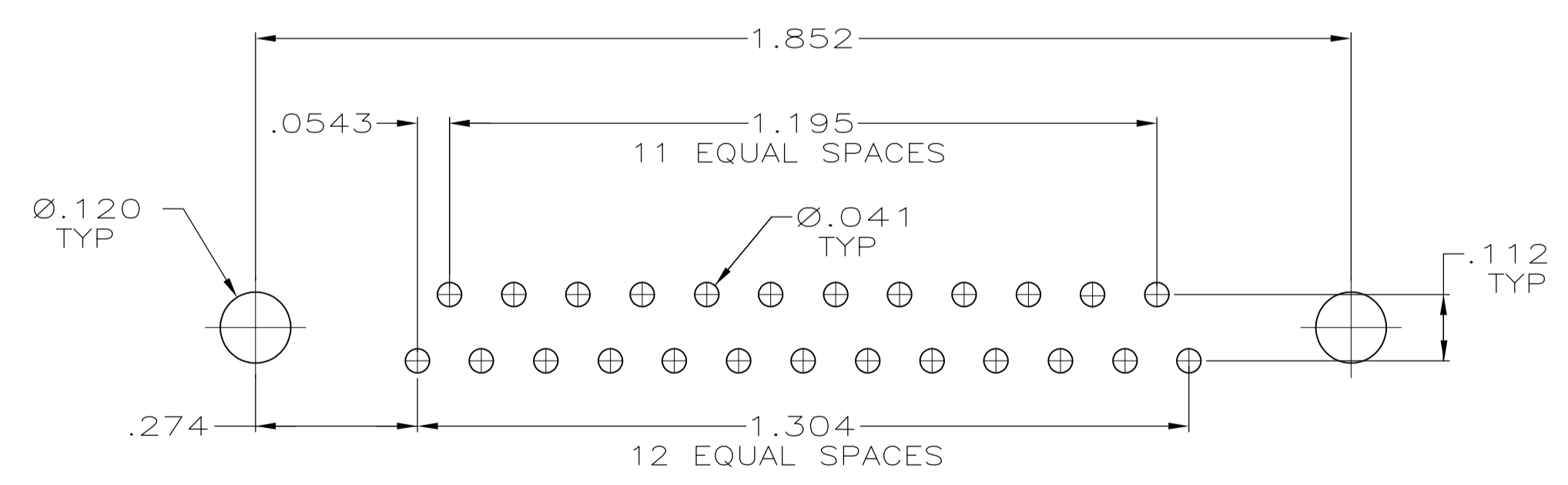
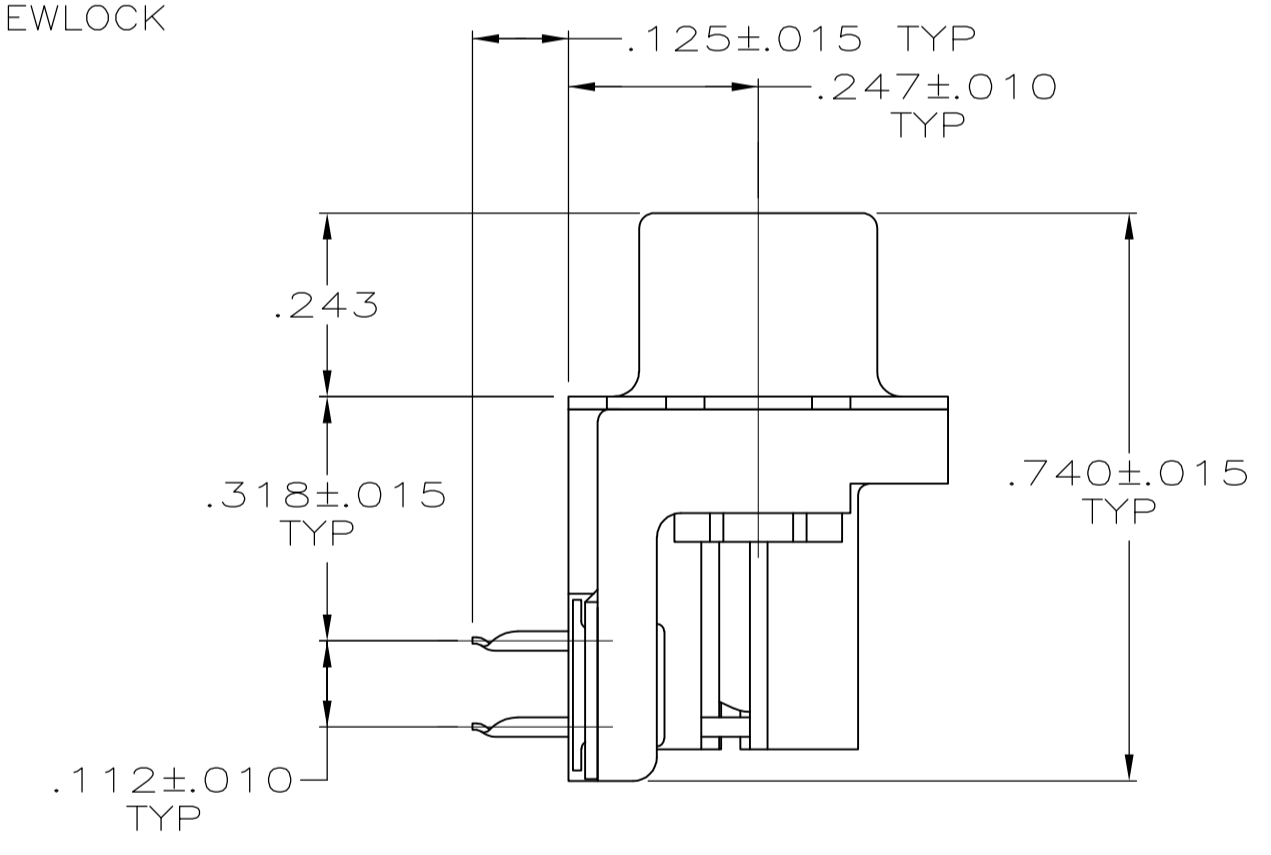
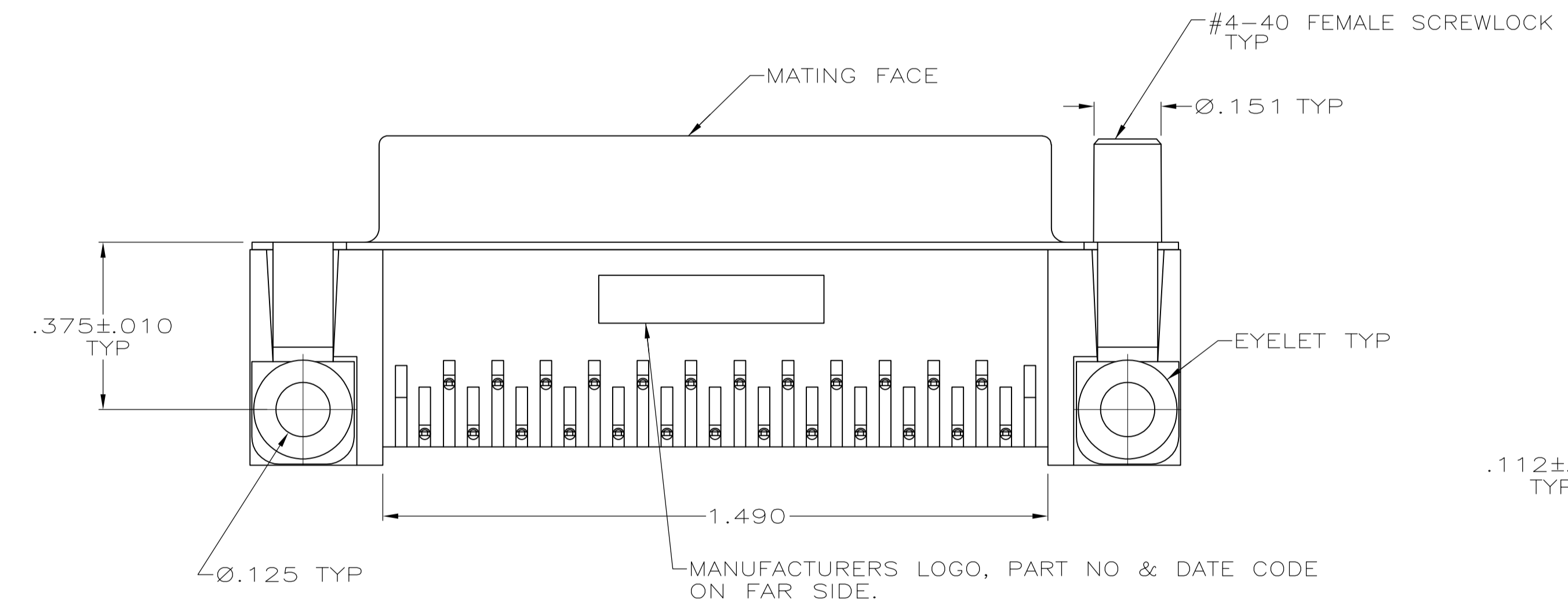
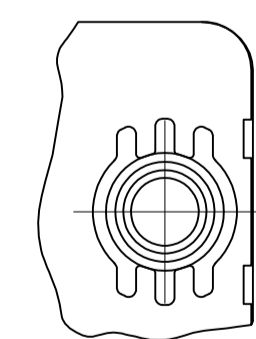


- 1 MOLDED PARTS: FLAME RETARDANT 94V-0 RATED THERMOPLASTIC, BLACK.
SHELL: CARBON STEEL
CONTACTS: PHOSPHOR BRONZE
EYELETS: BRASS
SCREWLOCKS: ZINC
INSERTS: ZINC
- 2 SHELL: .000100 MIN TIN OVER .000050 MIN COPPER.
CONTACTS: SEE TABLE
EYELETS: .000100 MIN TIN OVER COPPER FLASH.
SCREWLOCKS: CLEAR CHROMATE
INSERTS: CLEAR CHROMATE
- 3 GOLD FLASH FOR A DISTANCE OF .100 MIN FROM MATING END, .000100 MIN TIN ON OPPOSITE END, ALL OVER .000050 MIN NICKEL.
- 4 .000030 MIN GOLD FOR A DISTANCE OF .100 MIN FROM MATING END, .000100 MIN TIN ON OPPOSITE END, ALL OVER .000050 MIN NICKEL.



RECOMMENDED P.C. BOARD MOUNTING DIMENSIONS



DETAIL M FOR -5 & -6 ONLY

FEMALE SCREWLOCKS	4	5745783-6
FEMALE SCREWLOCKS	3	5745783-5
THREADED INSERTS	4	5745783-4
THREADED INSERTS	3	5745783-3
NONE	4	5745783-2
MOUNTING HARDWARE	CONTACT FINISH	PART NUMBER

THIS DRAWING IS A CONTROLLED DOCUMENT.		DIN A FERNANDEZ-DOCKS 04-06-05		STE TE Connectivity	
DIMENSIONS: INCHES		CHK S BOLASH 04-06-05		NAME	
TOLERANCES UNLESS OTHERWISE SPECIFIED:		APVD M WALMSLEY 04-06-05		RCPT ASSY, SIZE 3, 25 POSN, RTANG, AMPLITE HD-20, WITH METAL SHELL, WITH OR WITHOUT SCREWLOCKS OR INSERTS	
0 PLC ± -	1 PLC ± -	2 PLC ± -	3 PLC ± .005	4 PLC ± -	ANGLES ± °
MATERIAL		FINISH		SIZE	CAGE CODE DRAWING NO
				114-40010	A1 00779 C=5745783
				WEIGHT	SCALE 4:1 SHEET 1 OF 1 REV P
				CUSTOMER DRAWING	

**COPYRIGHT 2005
TE CONNECTIVITY CORP
ALL RIGHTS RESERVED**

Mouser Electronics

Authorized Distributor

Click to View Pricing, Inventory, Delivery & Lifecycle Information:

[TE Connectivity:](#)

[5745783-5](#)