

**Signal lamps with integrated filament lamp - 5 mm, round lens,
24 V, yellow lens
1.69.508.113/1402**



General information

Form of lens	round
Color of lens	transparent yellow
Diameter of collar	5.8

Dimensions

Overall height	1 mm
Mounting depth	18 mm
Mounting hole	5 mm

Mechanical design

Mounting	pressing into hole
Terminals	solder terminals
Lamp socket	no
Lamp	filament lamp

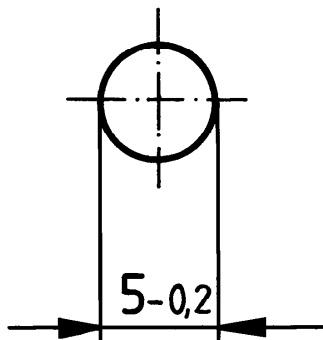
Electrical characteristics

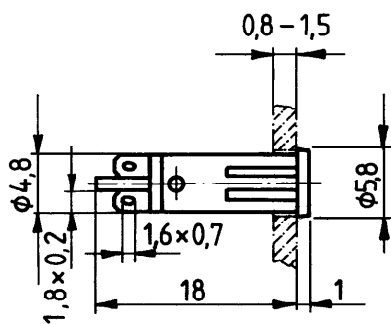
Voltage limit max.	24 V
Power limit max.	0.45 W

Other specifications

Operating life	10,000 h
Degree of protection from front side	IP40 (DIN EN 60529)
Weight	0.3 g
ROHS compliant	yes
REACH compliant	yes

Mounting hole





Mouser Electronics

Authorized Distributor

Click to View Pricing, Inventory, Delivery & Lifecycle Information:

[RAFI:](#)

[1.69.508.113/1402](#)