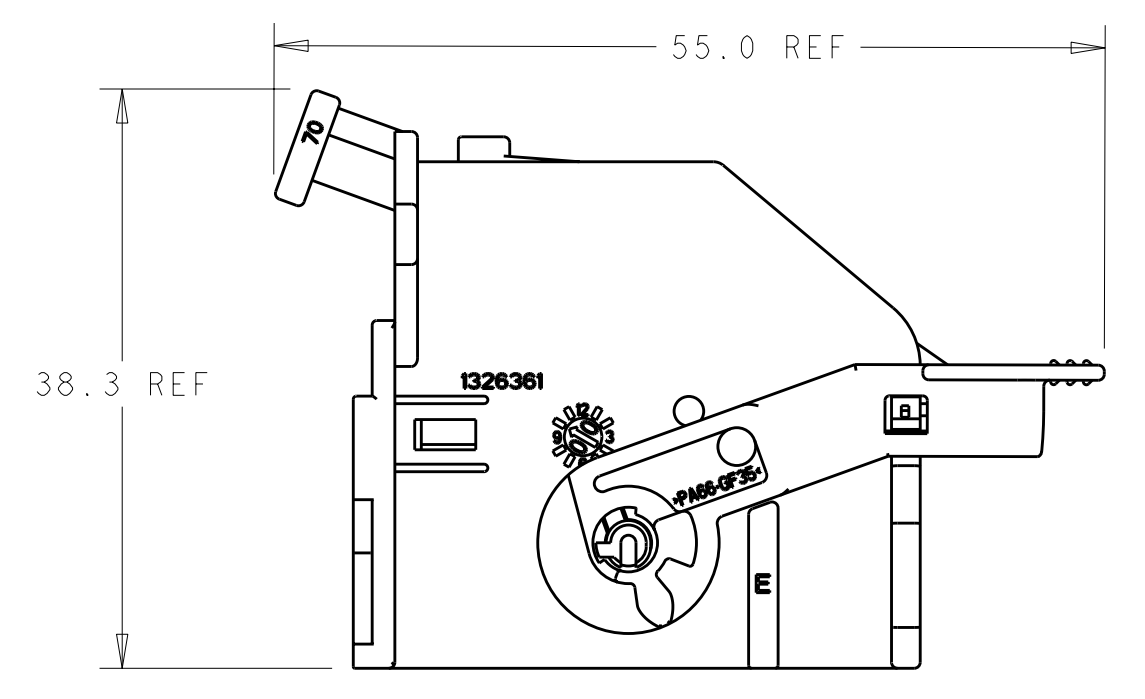
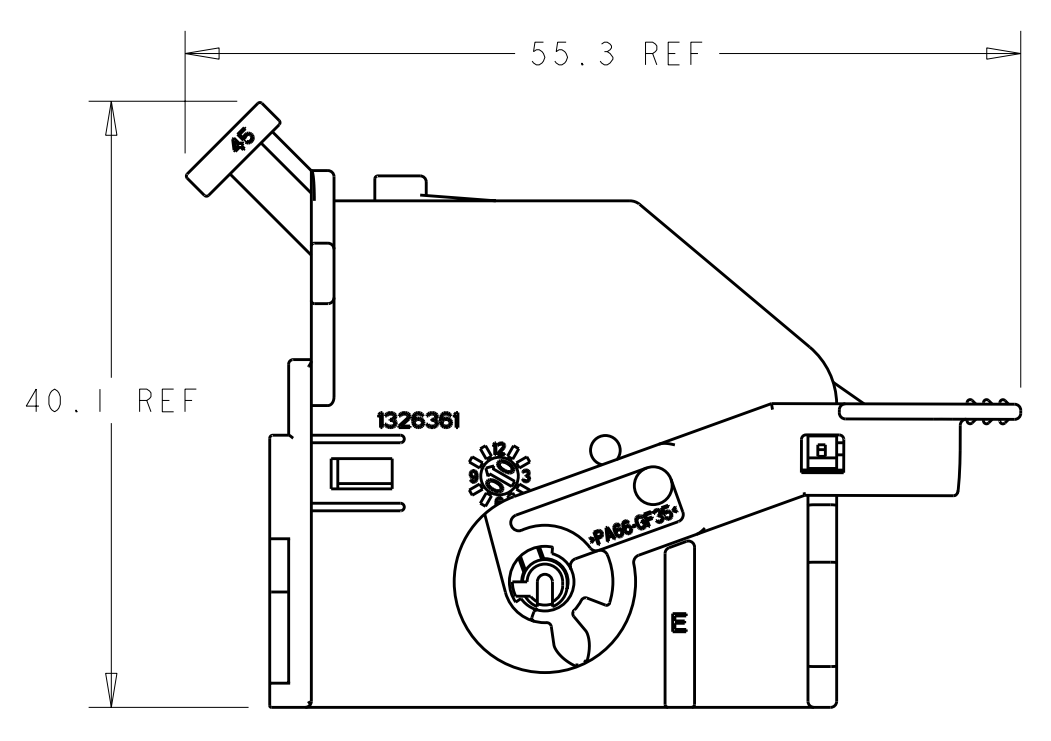


1. MATERIAL: SHIELD - 35% GLASS REINFORCED NYLON. SEE TABLE BELOW FOR COLOR.  
LEVER - 35% GLASS REINFORCED NYLON. COLOR: LIGHT GRAY.
2. REFERENCE: RECEPTACLE HOUSING, 1326042-1, USED WITH THIS ASSEMBLY.
3. REFERENCE: INTERFACE DETAIL PER DRAWING NO. AUAUTO1000-2962-0009
4. REFER TO INSTRUCTION SHEET 408-8662 FOR PRODUCT ASSEMBLY AND DISASSEMBLY PROCEDURES.
5. REFER TO USCAR-2 REV 3 APRIL 2001 FOR PRODUCT SPECIFICATIONS.

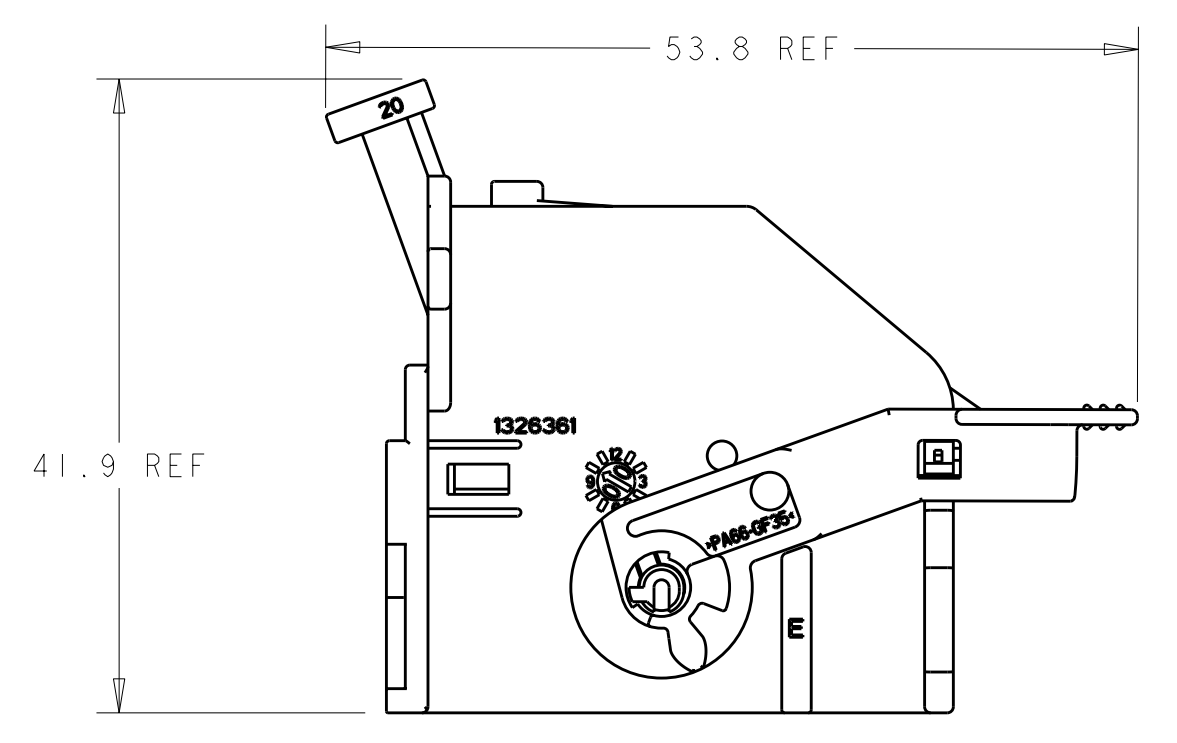
LOC	DIST	REVISIONS			
P	LTB	DESCRIPTION	DATE	OWN	APVD
FX	00				
0		REVISED PER EC 0K80-0281-02	01MAY2003	SPT	AME
A		REVISED PER EC 0K80-0196-04	14JUN2004	DLD	AME
A1		REV PER ECR-10-011823	28MAY2010	VSS	CS



70° WIRE EXIT  
SCALE 2:1



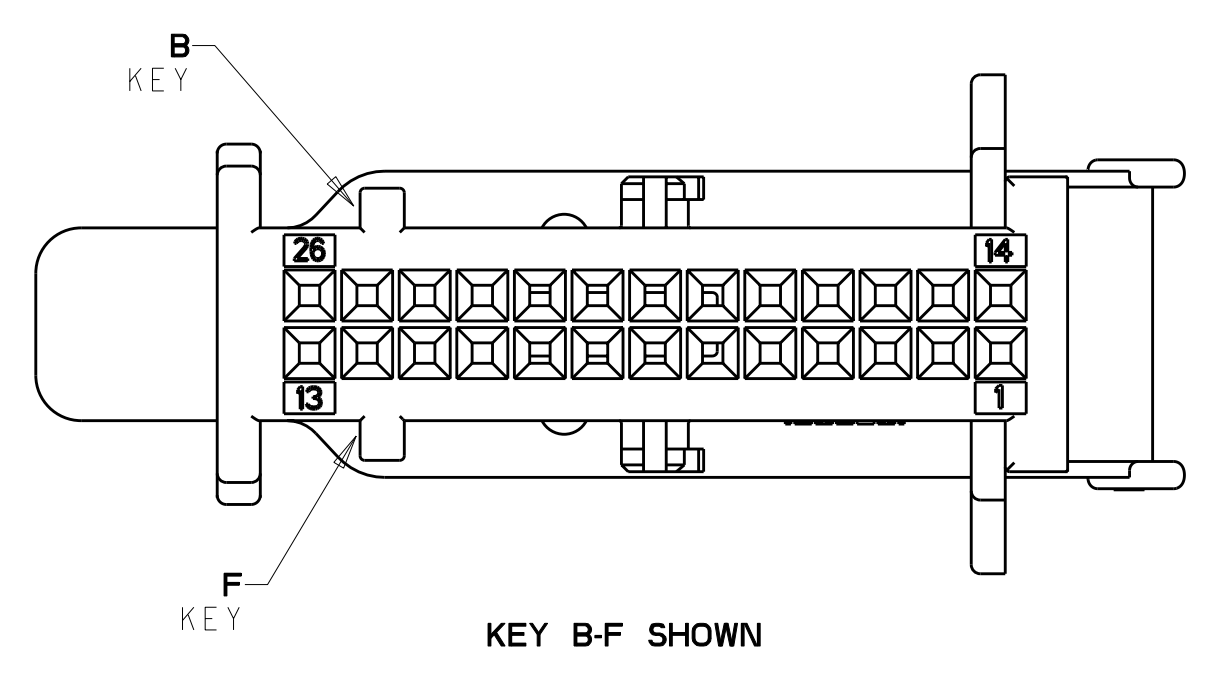
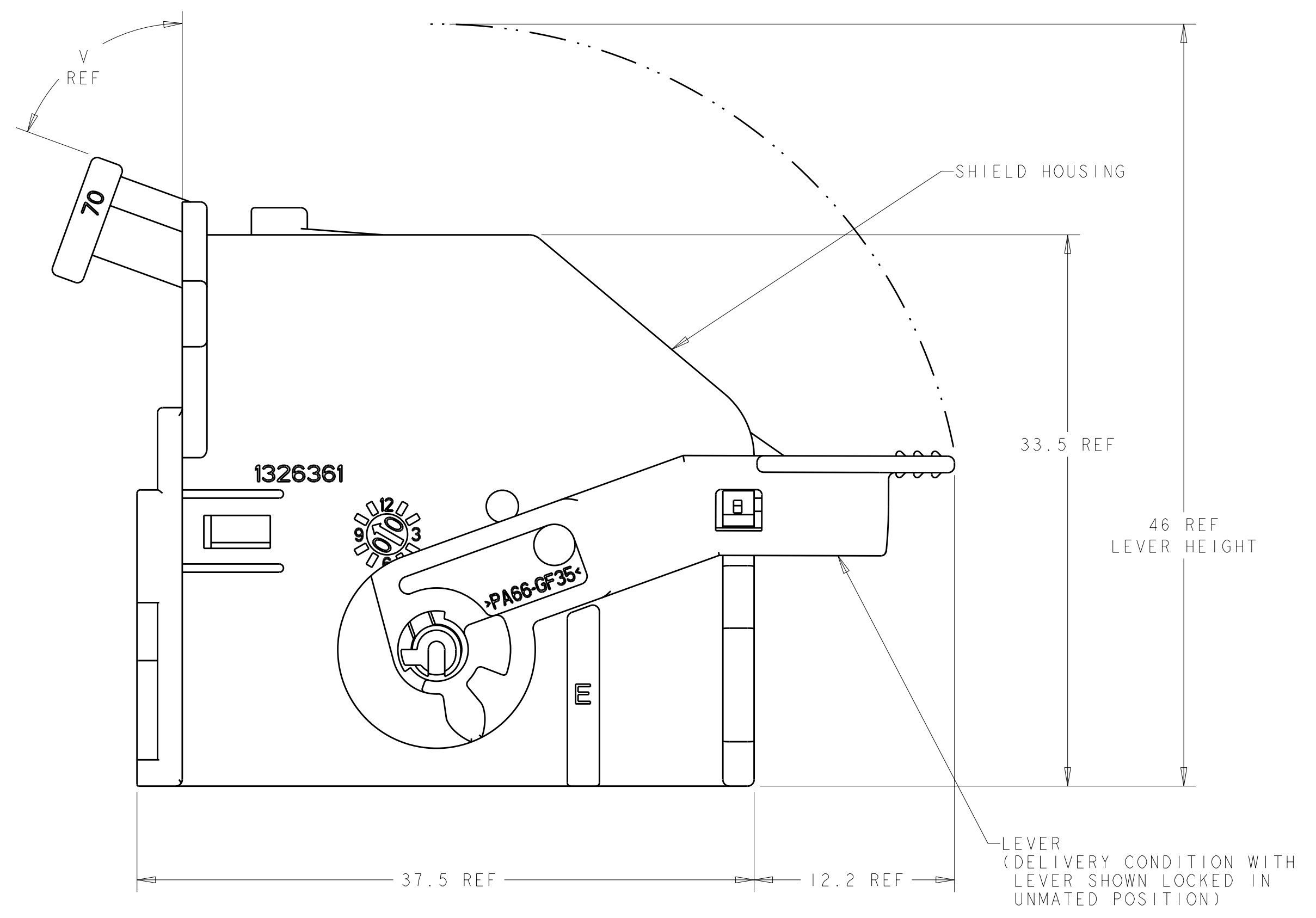
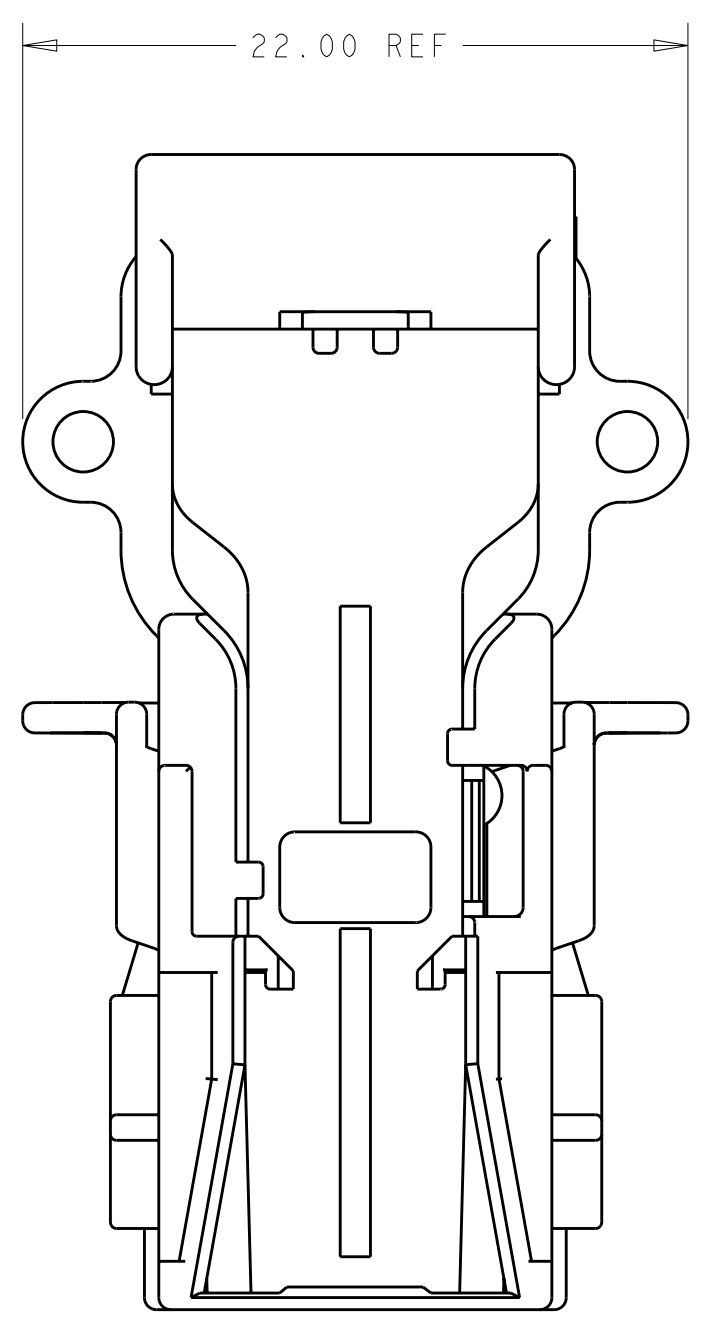
45° WIRE EXIT  
SCALE 2:1



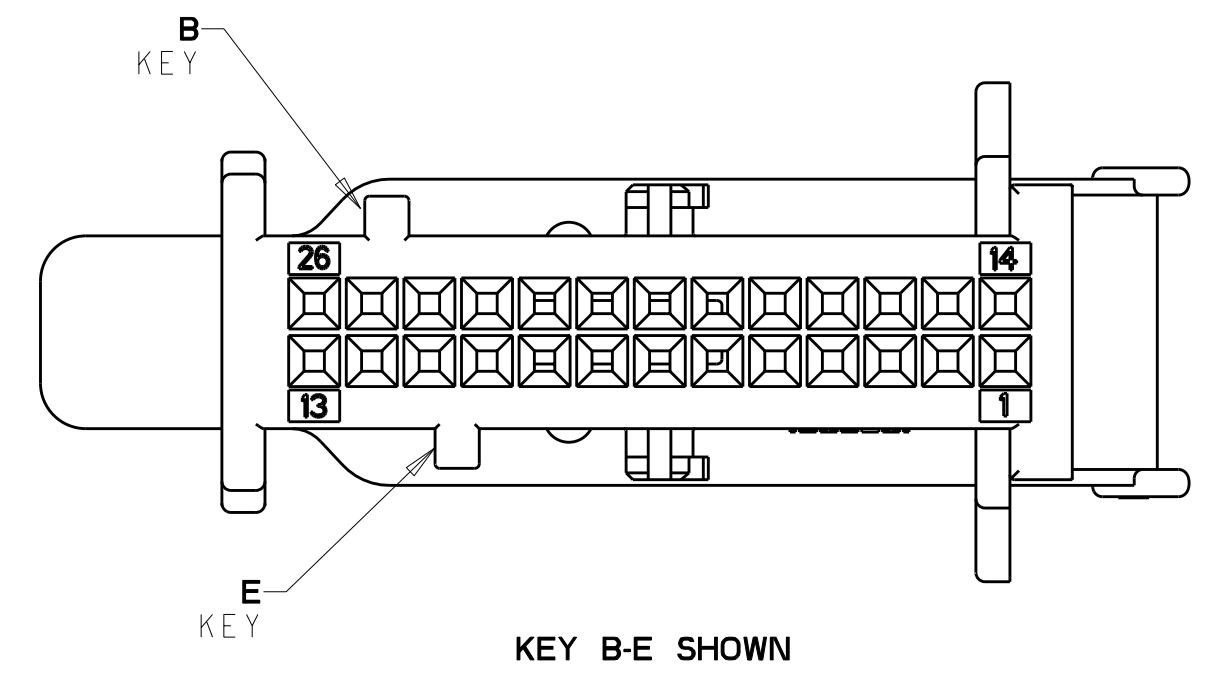
20° WIRE EXIT  
SCALE 2:1

**WIRE EXIT OPTIONS FOR REFERENCE ONLY**

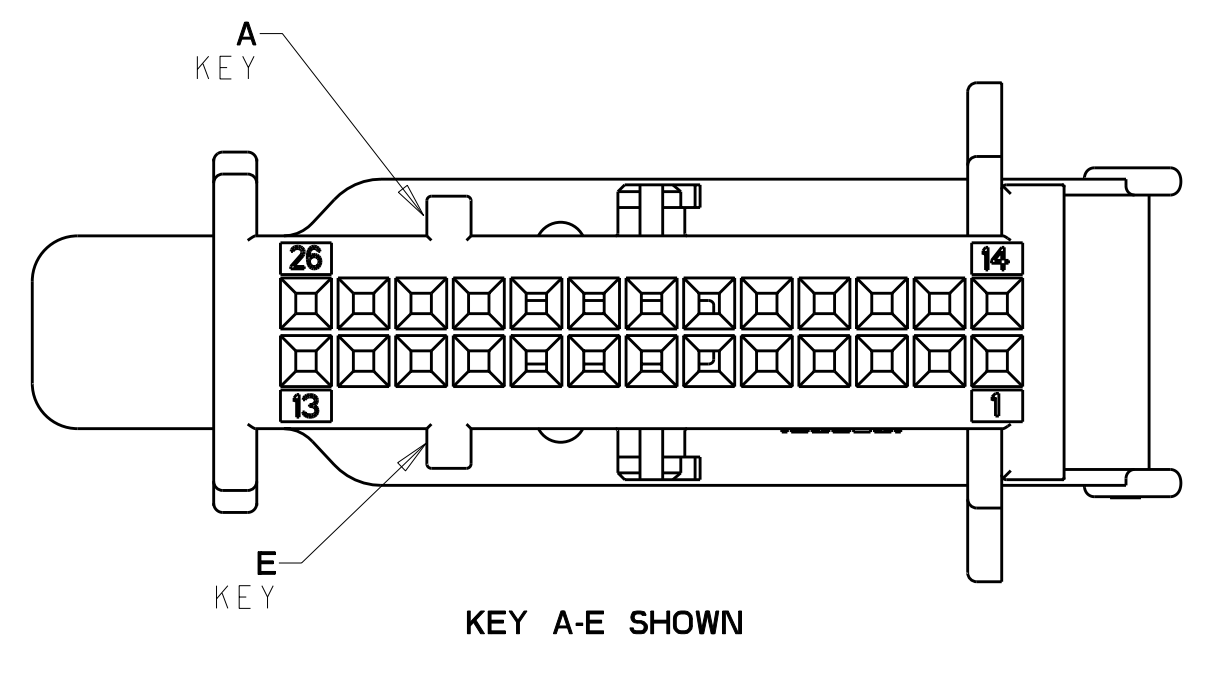
DIM V	COLOR	KEYING OPT.	PART NUMBER
70°	NATURAL	A-E	1-1326136-0
20°	BLUE	B-F	1326136-9
20°	GRAY	B-E	1326136-8
20°	BLACK	A-E	1326136-7
45°	BLUE	B-F	1326136-6
45°	GRAY	B-E	1326136-5
45°	BLACK	A-E	1326136-4
70°	BLUE	B-F	1326136-3
70°	GRAY	B-E	1326136-2
70°	BLACK	A-E	1326136-1



KEY B-F SHOWN



KEY B-E SHOWN

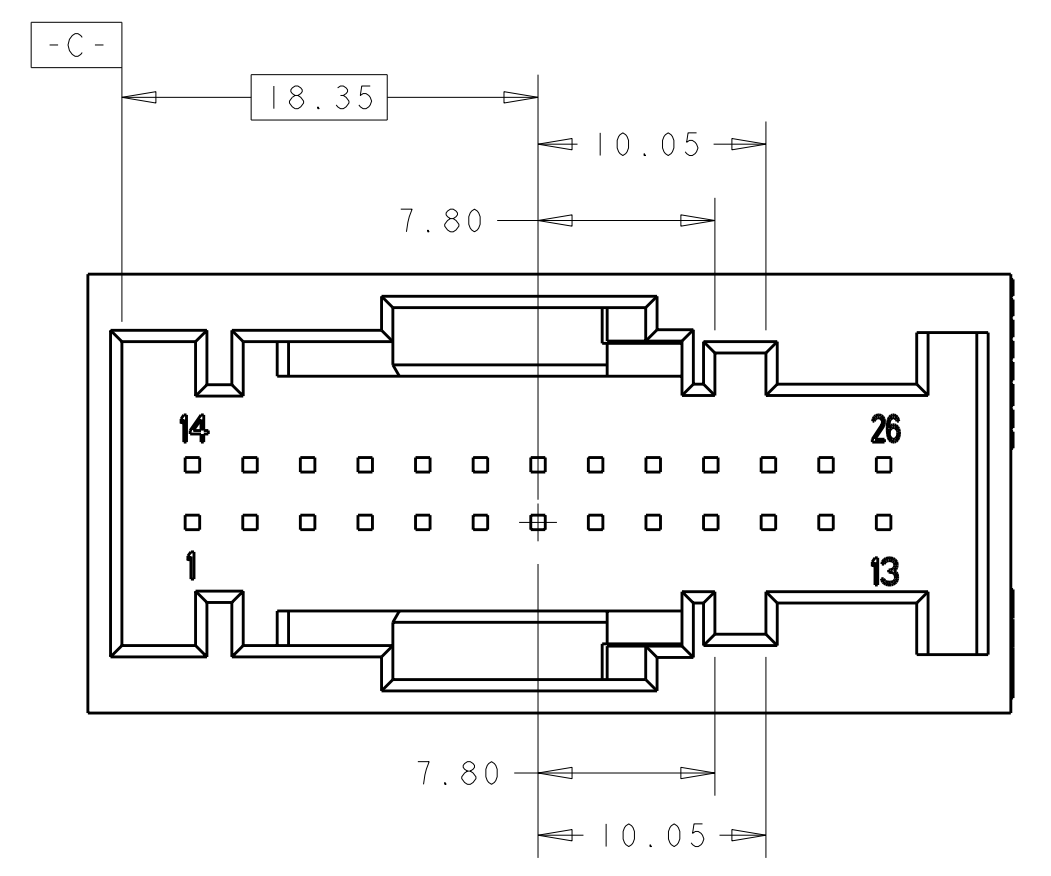
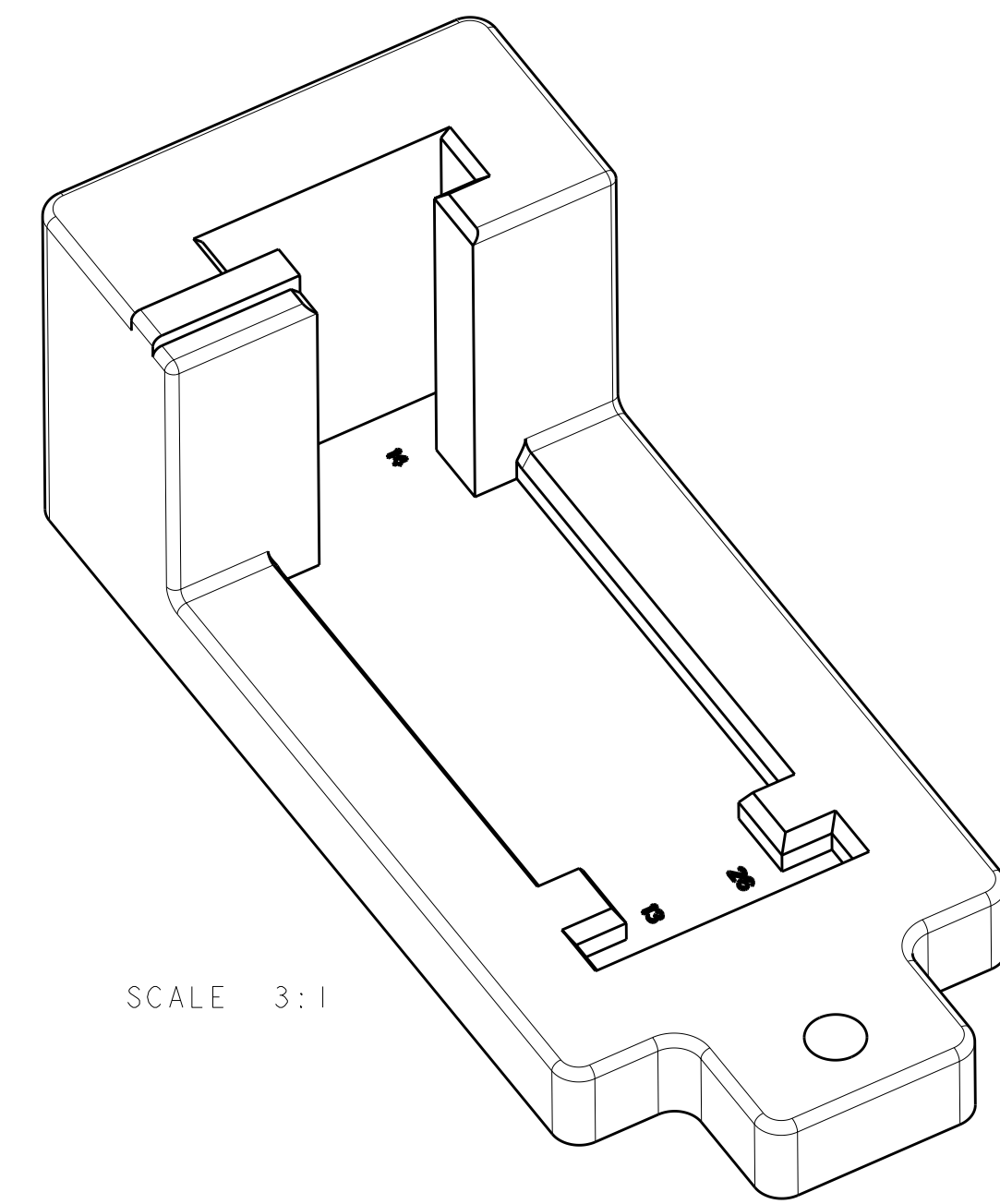
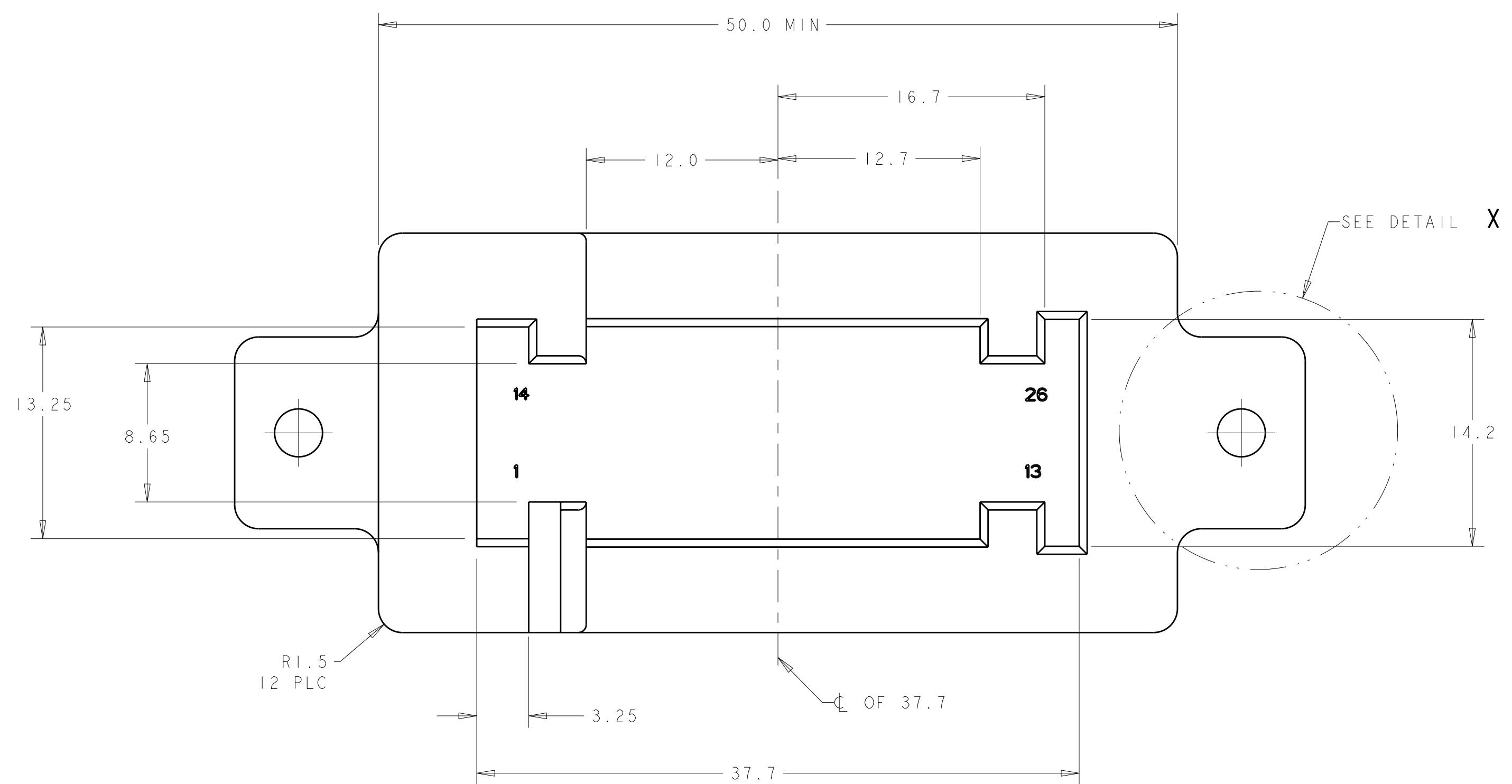


KEY A-E SHOWN

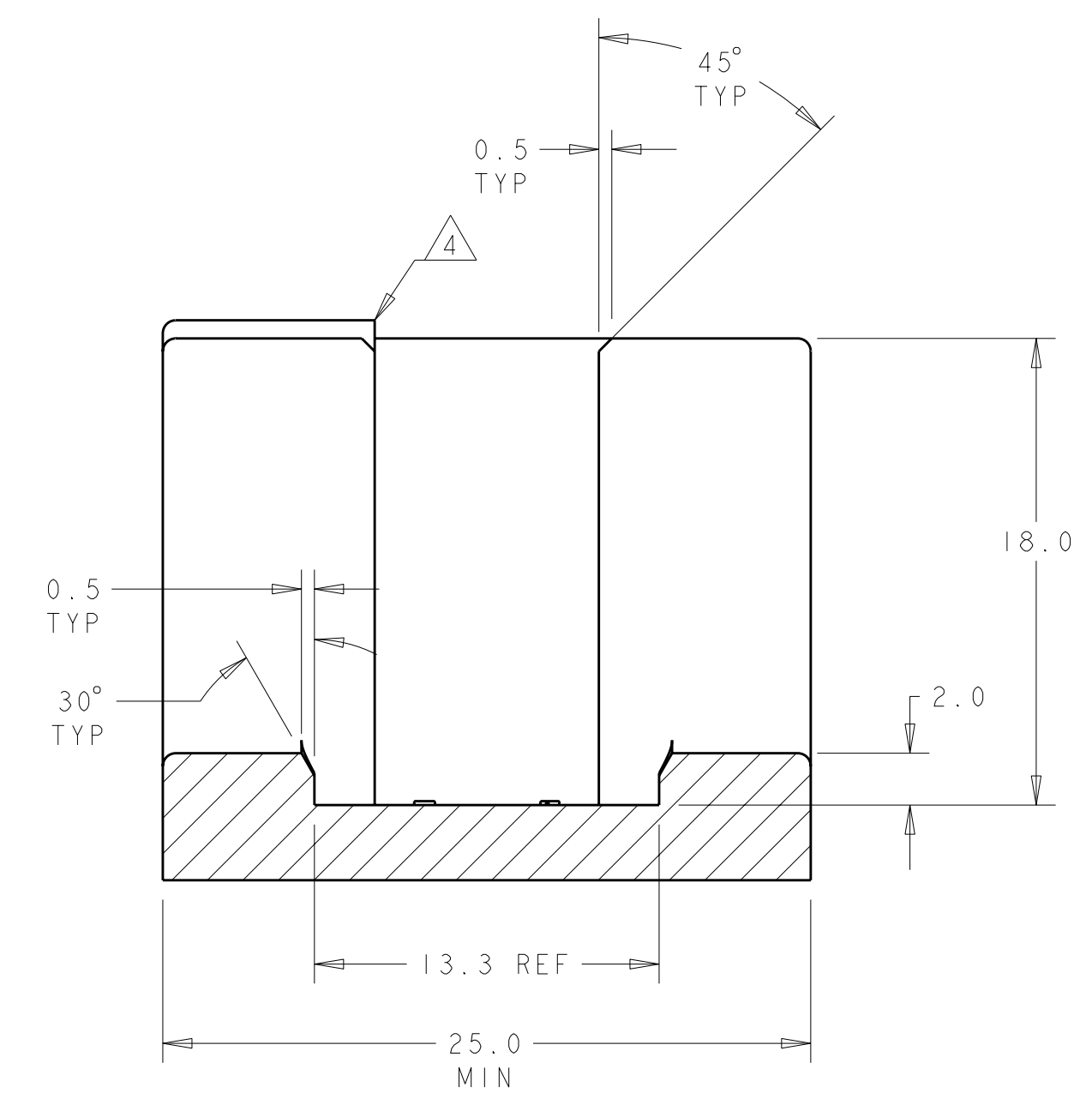
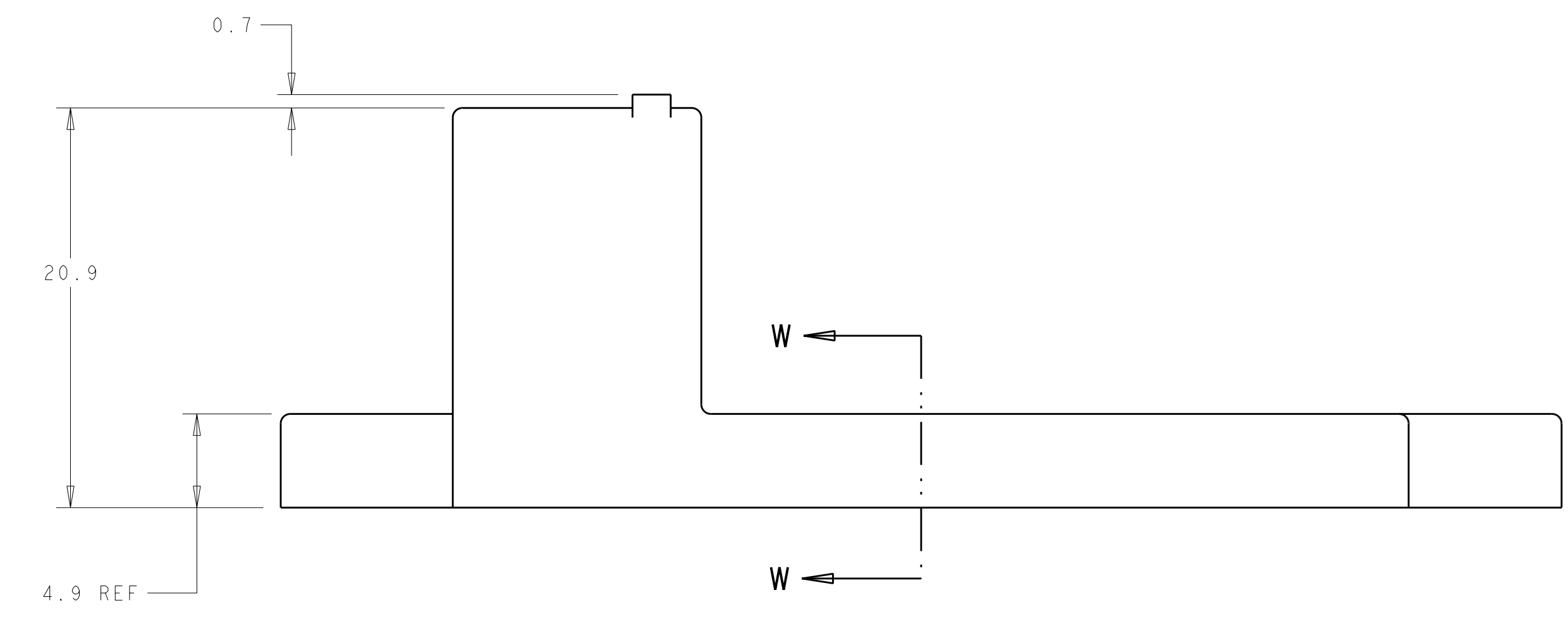
**KEYING OPTIONS REFERENCE ONLY**

DIMENSIONS: mm 		TOLERANCES UNLESS OTHERWISE SPECIFIED: 9 PLC ± 1 PLC ±0.1 5 PLC ±0.05 4 PLC ± ANGLES ±1° FINISH		DWN W. HOELSCHER 03AUG2001 CHK S. TOBEY 03AUG2001 APVD S. TOBEY 03AUG2001 NAME PRODUCT SPEC APPLICATION SPEC WEIGHT CUSTOMER DRAWING		Tyco Electronics Harrisburg, PA 17105-3608 SHIELD ASSEMBLY, 0.64mm 26 POSN, LEVER ASSISTED CONNECTOR SINGLE GEAR SIZE CAGE CODE DRAWING NO. RESTRICTED TO A1 00779 C=1326136 SCALE 4:1 SHEET 1 OF 2 REV A1	
-----------------------	--	---	--	---	--	---	--

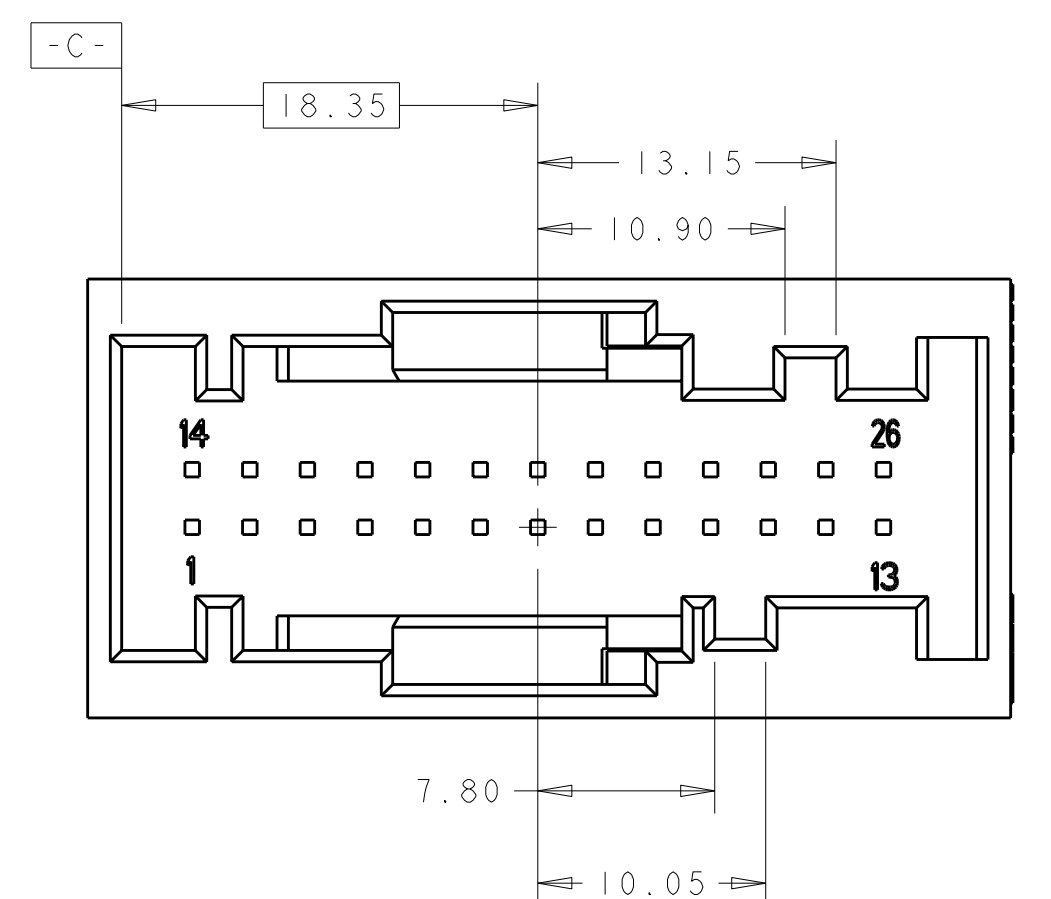
LOC	DIST	REV	DATE	BY	APPD
FX	00				
REVISIONS			DESCRIPTION	DATE	BY
-			SEE SHEET 1	-	-



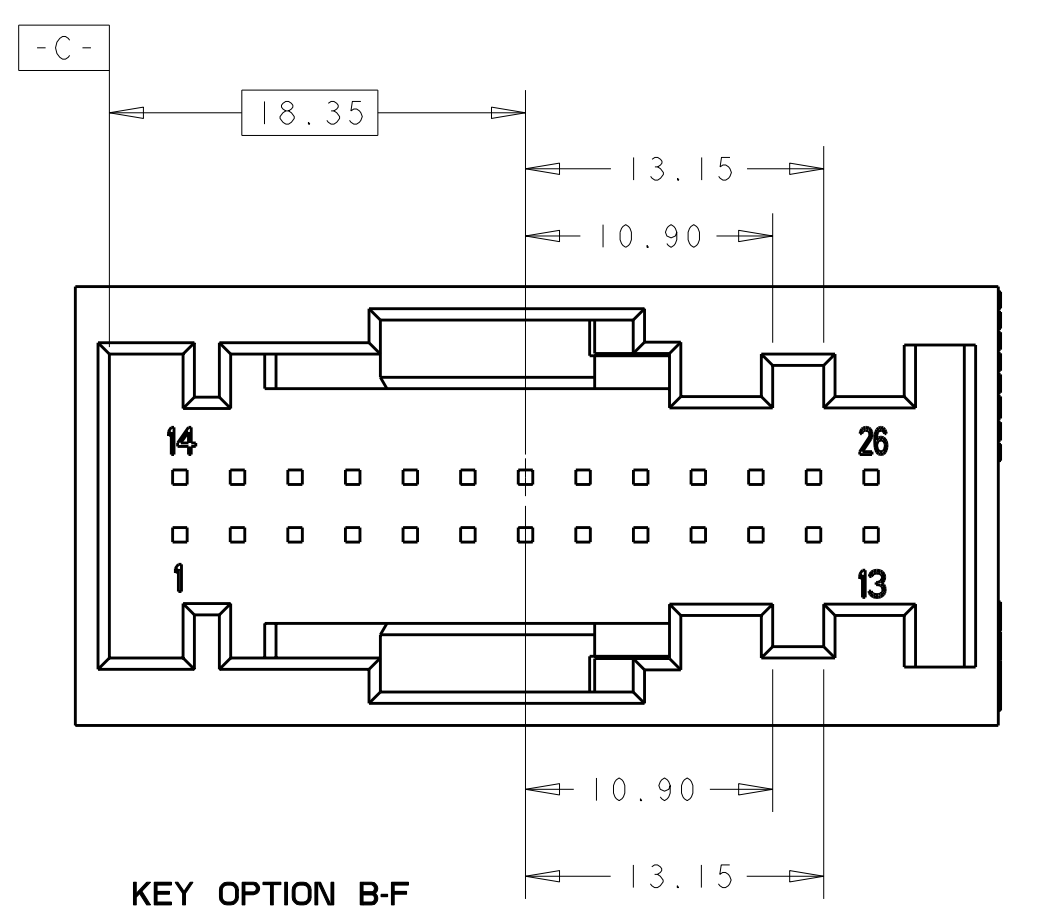
KEY OPTION A-E



SECTION W-W



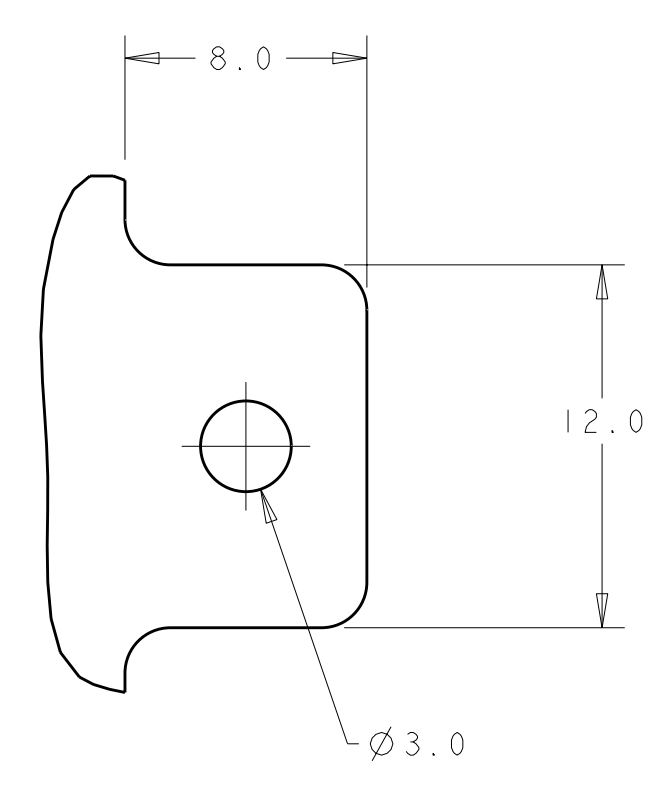
KEY OPTION B-E



KEY OPTION B-F

**26 POSITION CONNECTOR FIXTURE**  
 (SHOWN WITH CLEARANCE FOR ALL KEY OPTIONS)

- CONNECTOR FIXTURE SHOULD BE USED TO VERIFY THE RECEPTACLE CARRIER IS PROPERLY SEATED AND LOCKED INTO THE SHIELD ASSEMBLY. THE CONNECTOR WILL NOT FULLY MATE TO THE FIXTURE IF THE RECEPTACLE CARRIER IS OUT OF POSITION.
- RECOMMEND USING A SENSING DEVICE FOR VERIFYING FULLY MATED CONNECTORS. SUCH A DEVICE IS UP TO THE CUSTOMERS DISCRETION.
- RECOMMENDED MATERIAL: HARDEND STEEL
- NO RADIUS OR CHAMFER PERMITTED IN SPECIFIED AREA. MUST MAINTAIN 90° EDGE.
- RADIUS TO BE 0.5 UNLESS OTHERWISE SPECIFIED.
- OPTIONAL CONSTRAINT FEATURE.



DETAIL X  
 SCALE 4:1  
 2 PLC

DIMENSIONS: mm 9 PLC ± 1 PLC ±0.1 2 PLC ±0.05 3 PLC ± 4 PLC ± ANGLES ± FINISH ±		TOLERANCES UNLESS OTHERWISE SPECIFIED: 9 PLC ± 1 PLC ±0.1 2 PLC ±0.05 3 PLC ± 4 PLC ± ANGLES ± FINISH ±		DWN: W. HOELSCHER 03AUG2001 CHK: S. TOBEY 03AUG2001 APVD: S. TOBEY 03AUG2001 NAME: SHIELD ASSEMBLY, 0.64mm 26 POSN, LEVER ASSISTED CONNECTOR SINGLE GEAR SIZE: A1 CAGE CODE: 00779 DRAWING NO: 1326136 SCALE: 4:1 SHEET: 2 OF 2 REV: A1	
MATERIAL: - FINISH: - WEIGHT: - CUSTOMER DRAWING				Tyco Electronics Harrisburg, PA 17105-3608 Tyco Electronics Harrisburg, PA 17105-3608	

# Mouser Electronics

Authorized Distributor

Click to View Pricing, Inventory, Delivery & Lifecycle Information:

[TE Connectivity:](#)

[1326136-1](#)