

PART NUMBER LEGEND

2R7006A20M010

POLES 6-8

FINISHED LENGTH:
 A120= 12 IN.
 F020= 2 FEET
 F100= 10 FEET

M005= 0.5 METER
 M010= 1 METER
 M100= 10 METER

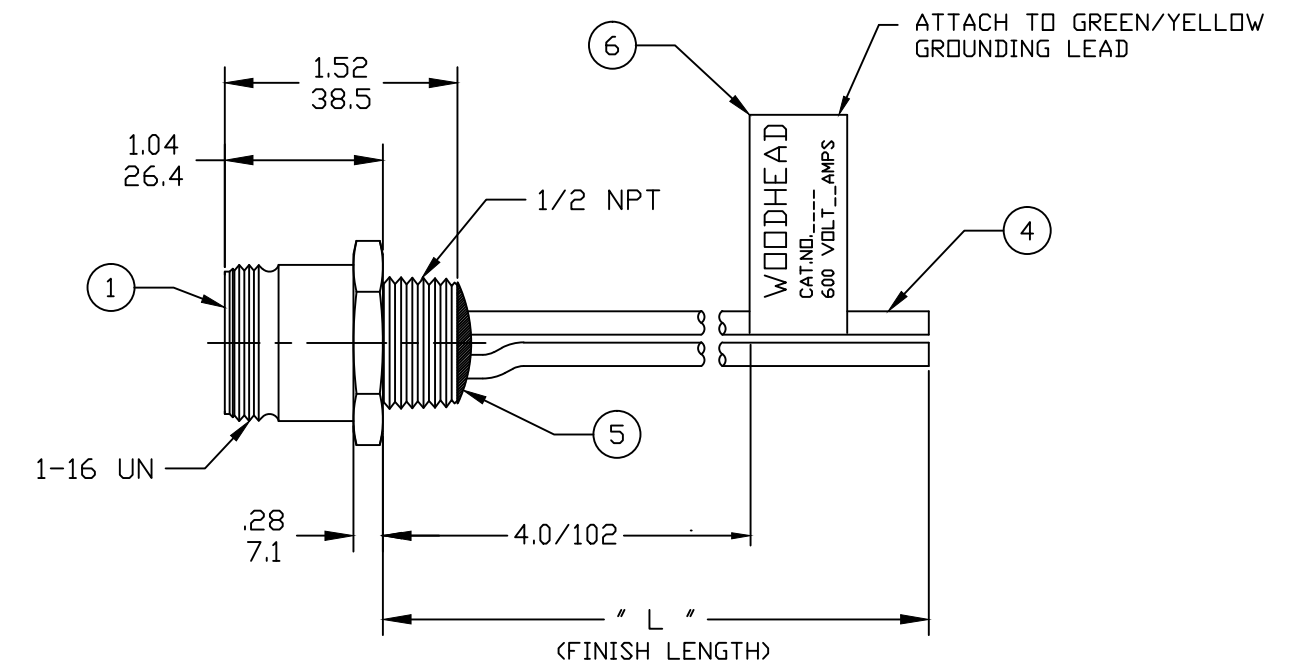
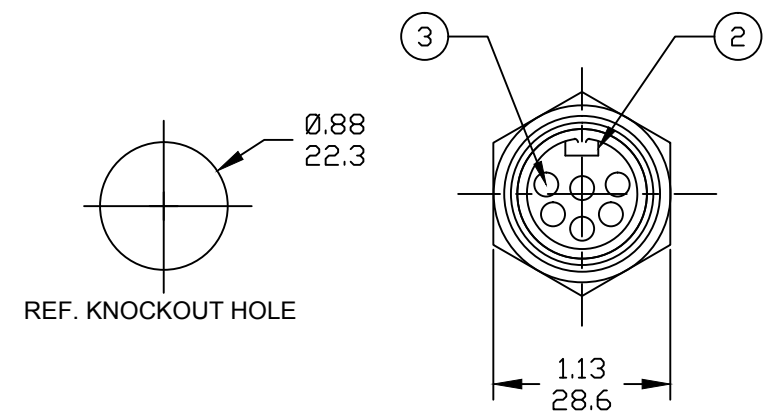
(A1) CABLE LENGTH TOLERANCES

>.3M [1FT]: +19mm-0 [+ .75in-0]
 .3 - .9M [1 - 3FT]: +44.5mm-0 [+1.75in-0]
 .9 - 1.8M [3 - 6FT]: +55.6mm-0 [+2.19in-0]
 1.8 - 3.7M [6 - 12FT]: +88.9mm-0 [+3.50in-0]
 3.7 - 7.3M [12 - 24FT]: +165.1mm-0 [+6.50in-0]
 7.3-14.6M [24 - 48FT]: +317.5mm-0 [+12.50in-0]
 14.6 - 30.5M [48-100FT]: +622.3mm-0 [+24.50in-0]
 OVER 30M [100FT] +2% OF FINISHED LENGTH

CHART (A1)

PART NO.	ENGINEERING NO.	FINISHED LENGTH
1300140025	2R6006A20A120	12IN
1300140052	2R7006A20F020	2.0FT
1300140153	2R8006A20M003	0.3M

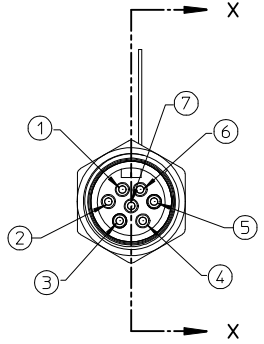
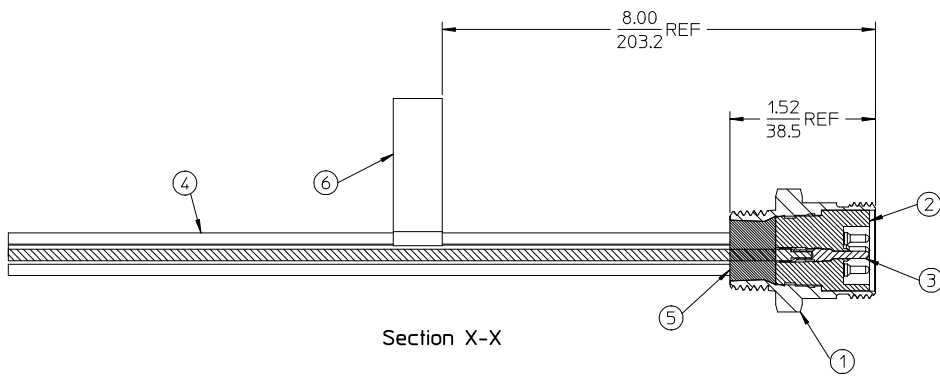
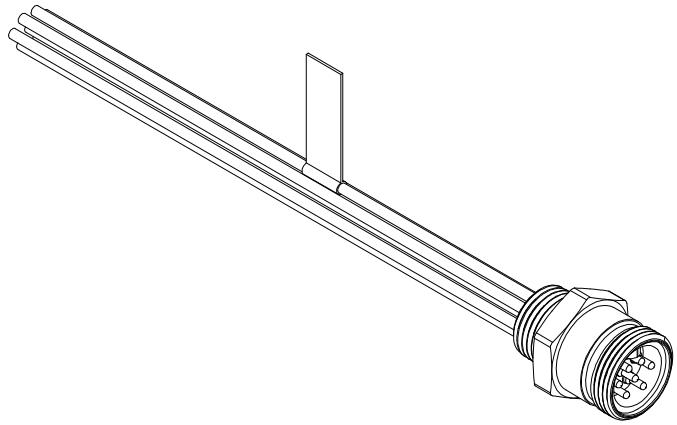
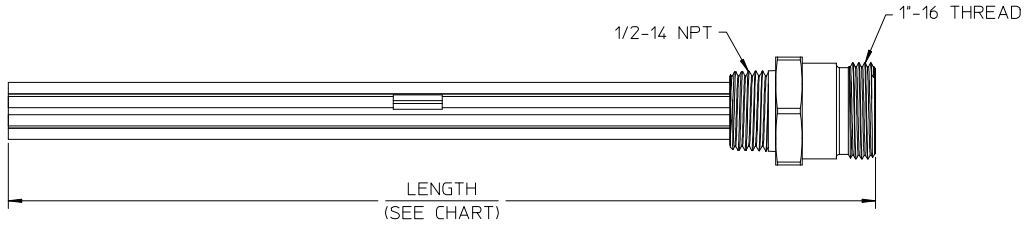
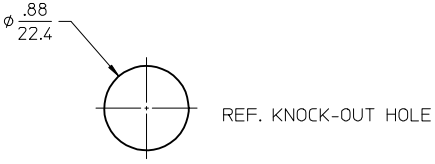
- NOTES:**
- MATERIAL: AS NOTED
 - FINISH: AS NOTED
 - ELECTRICAL:
 VOLTAGE: 6 THRU 8P 600V PER UL 2238
 (A1) 6P 400V PER IEC 60664
 7 & 8P 320V PER IEC 60664
 CURRENT: 6 & 7 POLE: 8A
 8 POLE: 7A
 - TEMP RATING: -20°TO +105°C
 - PROTECTION: IP67 (WHEN MATED)
 - (A1) UL RECOGNIZED, FILE: E152210
 - ALL DIMS ARE FOR REFERENCE UNLESS OTHERWISE NOTED



ITEM	COMPONENT	MATERIAL	FINISH
6	LABEL	VINYL	BLACK/YELLOW
5	POTTING	EPOXY	
4	WIRE, 16 AWG, UL 1015	PVC INSUL.	SEE FACE VIEW
3	CONTACT PIN	Cu ALLOY	GOLD PLATED
2	INSERT	PVC	YELLOW
1	RECEPTACLE SHELL	ZINC DIE-CAST	BLACK E-COAT

REVID IEC VOLTS; ADD UL FILE, CHART & TOLS EC NO: IPG2017-1018 DRWN: RSTONE 5/1/17 CHKD: M ZIELIN 2017/05/08 APPR: BWOODMAN 2017/01/16	QUALITY SYMBOLS 	GENERAL TOLERANCES (UNLESS SPECIFIED) <table border="1" style="width: 100%; border-collapse: collapse;"> <thead> <tr> <th></th> <th>mm</th> <th>INCH</th> </tr> </thead> <tbody> <tr> <td>4 PLACES</td> <td>±---</td> <td>±---</td> </tr> <tr> <td>3 PLACES</td> <td>±---</td> <td>±---</td> </tr> <tr> <td>2 PLACES</td> <td>±---</td> <td>±---</td> </tr> <tr> <td>1 PLACE</td> <td>±---</td> <td>±---</td> </tr> </tbody> </table>		mm	INCH	4 PLACES	±---	±---	3 PLACES	±---	±---	2 PLACES	±---	±---	1 PLACE	±---	±---	DIMENSION STYLE INCH/MM	SCALE ---	DESIGN UNITS INCH	THIRD ANGLE PROJECTION
		mm	INCH																		
	4 PLACES	±---	±---																		
	3 PLACES	±---	±---																		
2 PLACES	±---	±---																			
1 PLACE	±---	±---																			
DRAFT WHERE APPLICABLE MUST REMAIN WITHIN DIMENSIONS		ANGULAR ±1/2°		DRAWN BY DATE RSTONE 2016/12/07		MINI-CHANGE RECEPTACLE MALE 6 TO 8 POLE 16 AWG															
				CHECKED BY DATE M ZIELIN 2016/12/12																	
				APPROVED BY DATE BWOODMAN 2017/01/16		MOLEX INCORPORATED															
				MATERIAL NO. ---		DOCUMENT NO. SD-130014-010															
				SIZE B		SHEET NO. 1 OF 1															
THIS DRAWING CONTAINS INFORMATION THAT IS PROPRIETARY TO MOLEX INCORPORATED AND SHOULD NOT BE USED WITHOUT WRITTEN PERMISSION																					

MATERIAL NO.	ENGINEERING NO.	LENGTH
1300140050	2R7006A20A120	12' +.75-0 [305mm +19.0-0]
1300140055	2R7006A20F060	6'0' +2.19 [1.8M +55.6-0]



1	WHITE/BLACK
2	BLACK
3	WHITE
4	RED
5	ORANGE
6	BLUE
7	GREEN/YELLOW-GND

- NOTES:
1. MATERIAL: SEE TABLE
 2. FINISHES: SEE TABLE
 3. MATES WITH: 7/C MINI-CHANGE CORD ASSY.
 4. ELECTRICAL SPECIFICATIONS:
VOLTAGE RATING: 600V AC/DC
CURRENT RATING: 8 AMPS
 5. RoHS COMPLIANT

ITEM	QTY.	DESCRIPTION	MATERIAL	FINISH
6	1	LABEL	PLASTIC FILM	BLACK/YELLOW
5	1	POTTING	EPOXY	
4	7	WIRE, 16 AWG (UL 1015)	PVC INSULATED	SEE WIRE DIAGRAM
3	7	CONTACT PIN	BRASS	GOLD PLATED
2	1	INSERT	PVC	YELLOW
1	1	RECEPTACLE SHELL	ZINC ALLOY	E-COAT, BLACK

RELEASED	EC NO: MNA2009-0813	2009/06/09
DRWN:BRUPERT	CHKD:BRUPERT	APPR:JFMURPHY
DESCRIPTION		2009/06/10

QUALITY SYMBOLS	GENERAL TOLERANCES (UNLESS SPECIFIED)
$\nabla=0$	mm
$\nabla=0$	INCH
	4 PLACES ± --- ± ---
	3 PLACES ± --- ± ---
	2 PLACES ± --- ± .01
	1 PLACE ± 0.3 ± ---
	ANGULAR ± 1/2°

DIMENSION STYLE		SCALE	DESIGN UNITS	THIRD ANGLE PROJECTION
IN/MM		1:1	INCH	
DRAWN BY	DATE	TITLE		
B. RUPERT	06/05/2009	MINI-CHANGE RECEPTACLE		
CHECKED BY	DATE	MALE, 7 POLE		
B. WOODMAN	06/05/2009	1/2 IN NPT		
APPROVED BY	DATE	MATERIAL NO.		
J. MURPHY	06/05/2009	SEE CHART		
SIZE		DOCUMENT NO.		
C		SD-130014-004		

MOLEX INCORPORATED		SHEET NO.
1 OF 1		
THIS DRAWING CONTAINS INFORMATION THAT IS PROPRIETARY TO MOLEX INCORPORATED AND SHOULD NOT BE USED WITHOUT WRITTEN PERMISSION		

Mouser Electronics

Authorized Distributor

Click to View Pricing, Inventory, Delivery & Lifecycle Information:

[Molex:](#)

[1300140050](#)