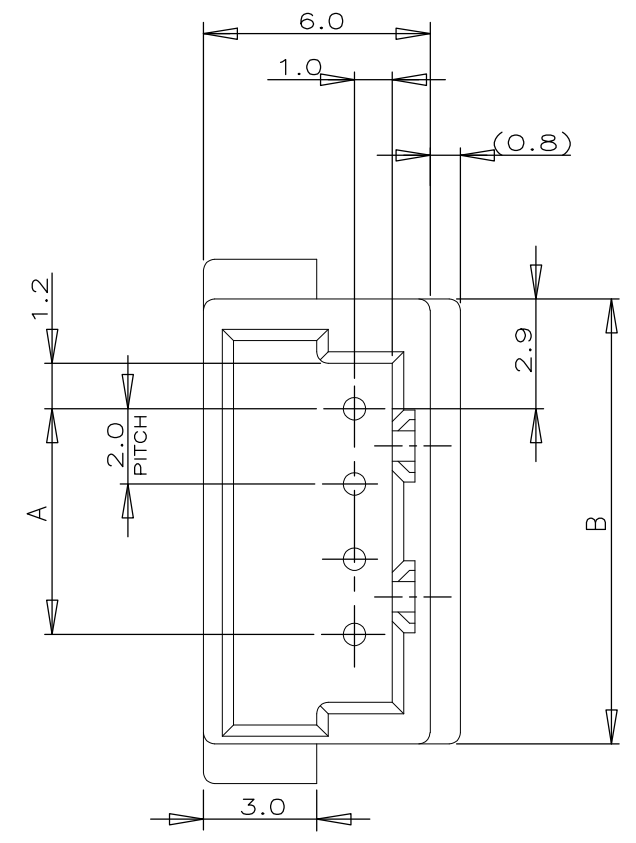
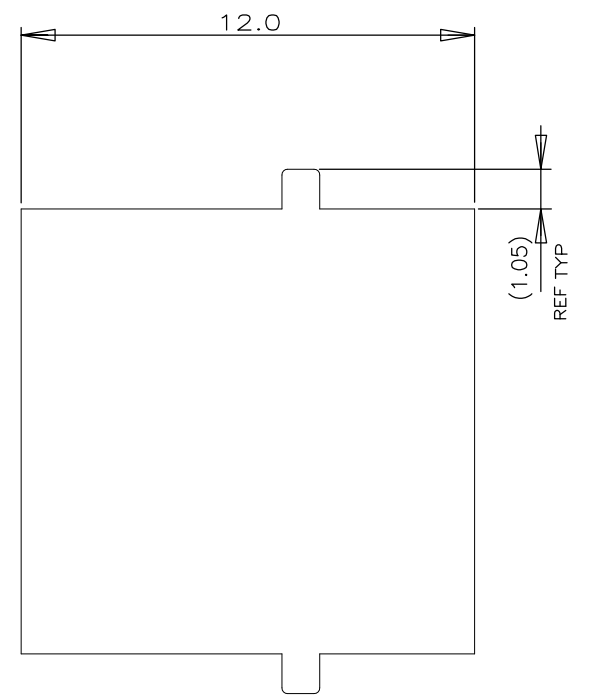
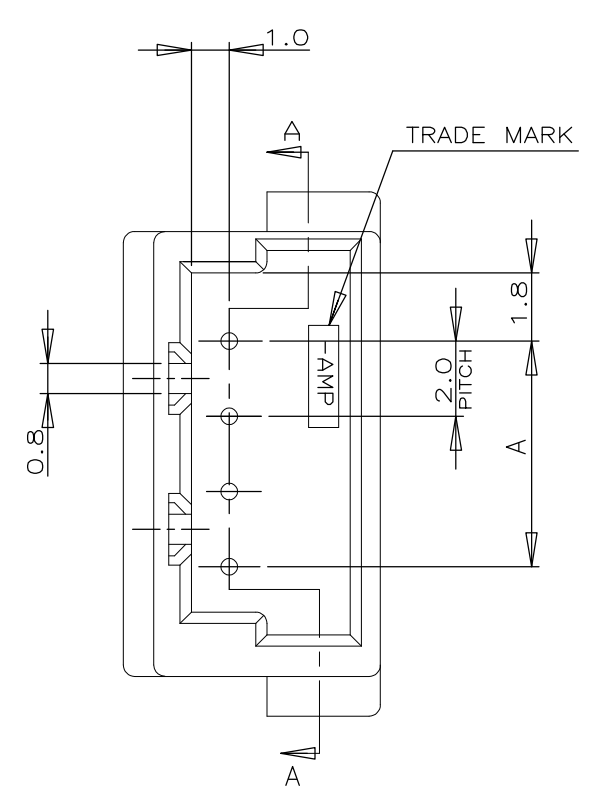
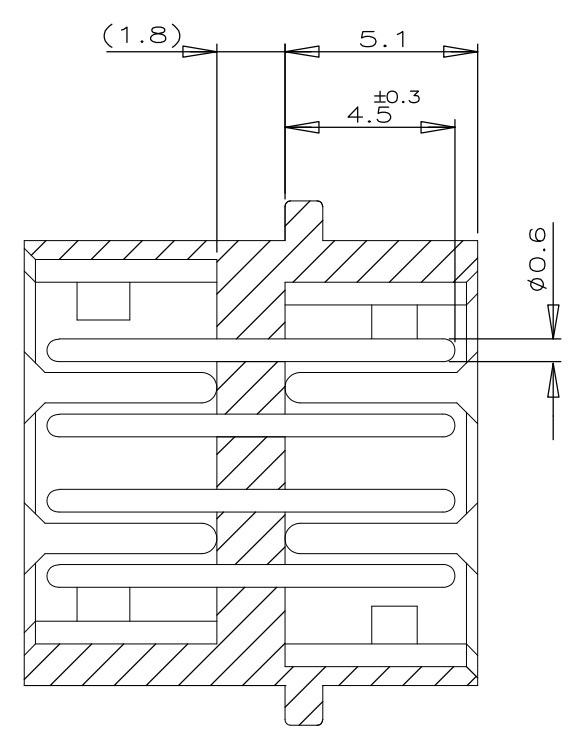
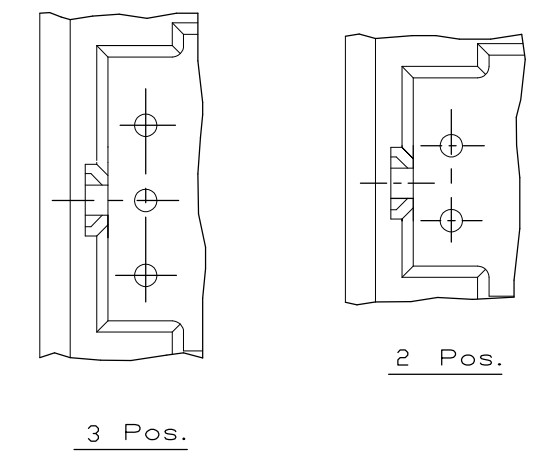


THIS DRAWING IS UNPUBLISHED. RELEASED FOR PUBLICATION  
 © COPYRIGHT - By - ALL RIGHTS RESERVED.

LOC	DIST	REVISIONS					
FB	00	P	LTR	DESCRIPTION	DATE	DWN	APVD
		P		REVISED PER ECO-11-005033	28MAR11	RK	HMR



NOTES;  
 ▲ MATERIAL: HOUSING - 66 NYLON (UL94V-0)  
 POST - TIN BRASS



SECT. A-A

TOLERANCES UNLESS OTHERWISE SPECIFIED:

10 >* >10	: ±0.2
30 >* >10	: ±0.25
100 >* >30	: ±0.3
ANGEL	: ±3°

6-▲-6	4-▲-6	2-▲-6	▲-6	6	15.8	10.0
6-▲-5	4-▲-5	2-▲-5	▲-5	5	13.8	8.0
6-▲-4	4-▲-4	2-▲-4	▲-4	4	11.8	6.0
6-▲-3	4-▲-3	2-▲-3	▲-3	3	9.8	4.0
6-292156-2	4-292156-2	2-292156-2	292156-2	2	7.8	2.0
BLACK	YELLOW	BLUE	NATURAL	Pos.	B	A

THIS DRAWING IS A CONTROLLED DOCUMENT.

DWN S.XU	31JAN03	TE Connectivity FREE HANGING TYPE RELAY POST HEADER ASS'Y (AMP CT CONN. 2mm PITCH)
CHK S.YAO	31JAN03	
APVD T.SASAKI	31JAN03	
PRODUCT SPEC		
APPLICATION SPEC		NAME
WEIGHT -		SIZE
CUSTOMER DRAWING		CAGE CODE
		DRAWING NO
		RESTRICTED TO
		SCALE 5:1
		SHEET 1 OF 1
		REV P

# Mouser Electronics

Authorized Distributor

Click to View Pricing, Inventory, Delivery & Lifecycle Information:

[TE Connectivity:](#)

[6-292156-2](#)