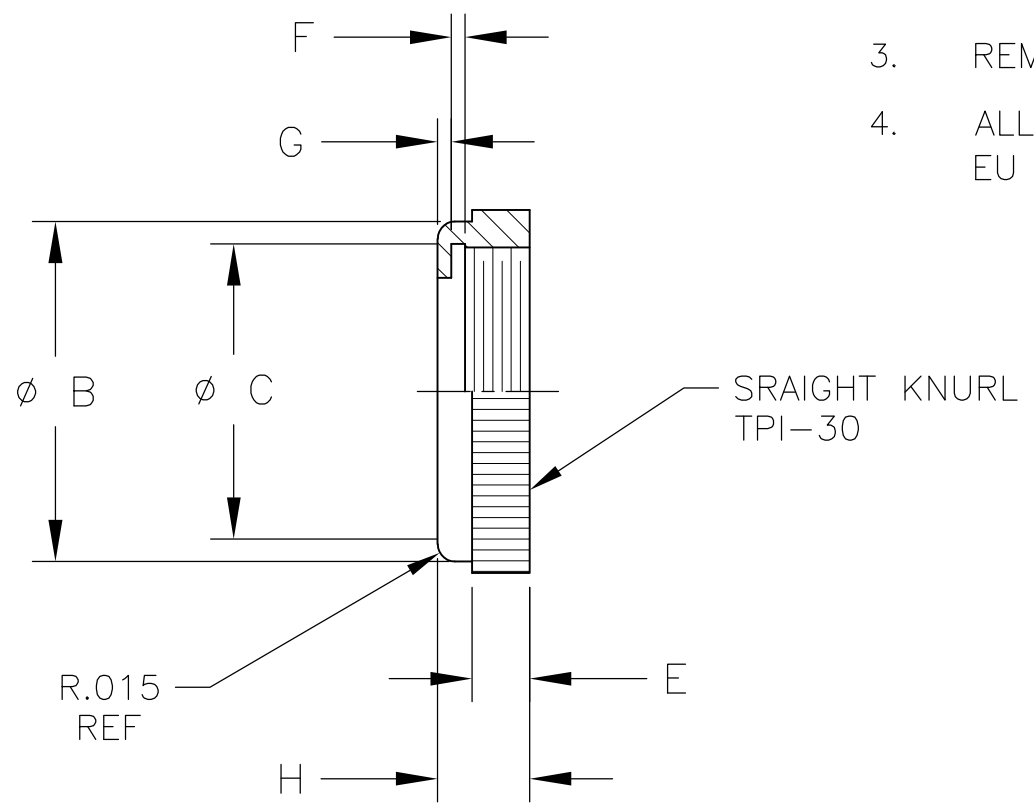
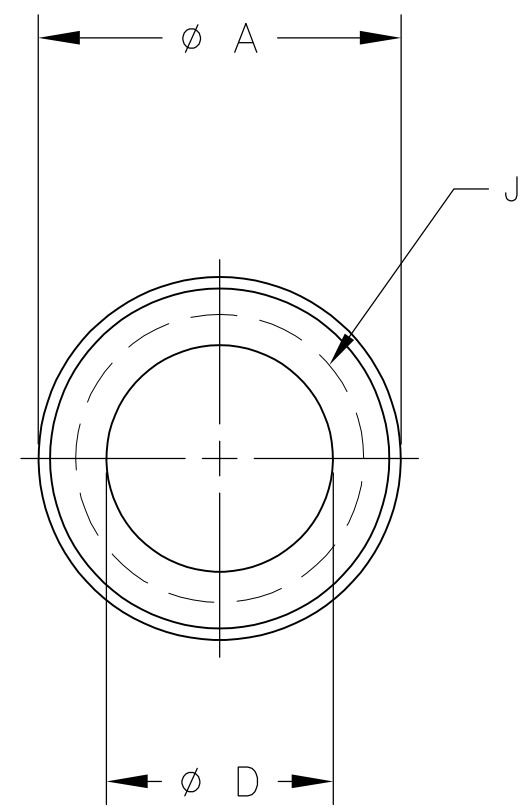


THIS DRAWING IS UNPUBLISHED. RELEASED FOR PUBLICATION
 © COPYRIGHT BY TYCO ELECTRONICS CORPORATION. ALL RIGHTS RESERVED.

LOC	DIST	REVISIONS					
AD	00	P	LTR	DESCRIPTION	DATE	DWN	APVD
			A	ECO-07-015365	12JUL07	MB	MW



- 1. FREE MACHINING BRASS
- 2. 200 MICRINCHES MIN BRIGHT NICKEL
- 3. REMOVE ALL BURRS AND SHARP EDGES
- 4. ALL MATERIALS AND FINISHES SHALL COMPLY WITH EU DIRECTIVE 2002/95/EC OF 27JAN2003 (ROHS)

15/32-32 UNS-2B	0.14	0.015	0.015	0.110	0.39	0.490	0.53	0.56	2	1	N1B04	1825622-2
1/4-40 UNS-2B	0.08	0.012	0.012	0.050	0.19	0.256	0.29	0.31	2	1	N1A04	1825622-1
J	H	G	F	E	D	C	B	A	FINISH	MATERIAL	ALCO PART NUMBER	PART NUMBER

THIS DRAWING IS A CONTROLLED DOCUMENT.

DIMENSIONS: INCHES	TOLERANCES UNLESS OTHERWISE SPECIFIED:	DWN M.BINNER 12JUL2007	Tyco Electronics Corporation Harrisburg, PA 17105-3608
	0 PLC ± -	CHK M.WILBOURN 12JUL07	
	1 PLC ± -	APVD M.WILBOURN 12JUL07	
	2 PLC ± .01	NAME DECORATIVE NUT	
	3 PLC ± .005	PRODUCT SPEC -	
	4 PLC ± -	APPLICATION SPEC -	
	ANGLES ± -	WEIGHT -	SIZE A3 CAGE CODE 00779 DRAWING NO C-1825622 RESTRICTED TO -
MATERIAL 1	FINISH 2	CUSTOMER DRAWING SCALE 5:1 SHEET 1 OF 1 REV A	

Mouser Electronics

Authorized Distributor

Click to View Pricing, Inventory, Delivery & Lifecycle Information:

[TE Connectivity:](#)

[1825622-2](#)