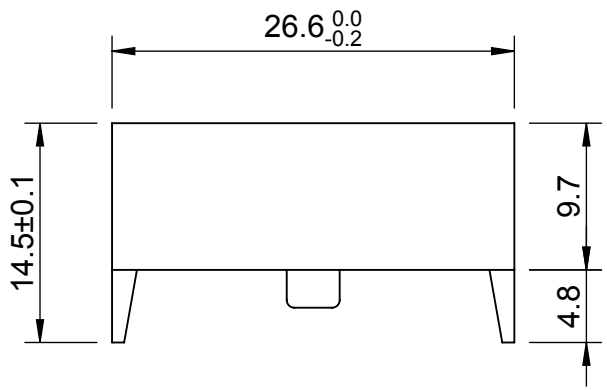
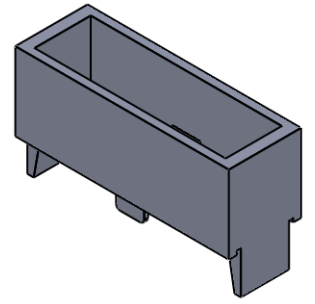
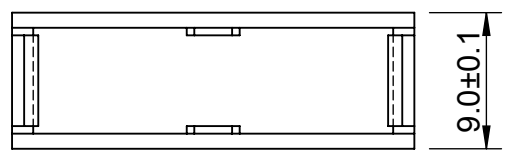



REV	DESCRIPTION	BY	DATE	CHANGE NO.
A	REDRAWN IN SOLIDWORKS; FIRST ISSUE	JVM	21/04/2016	----



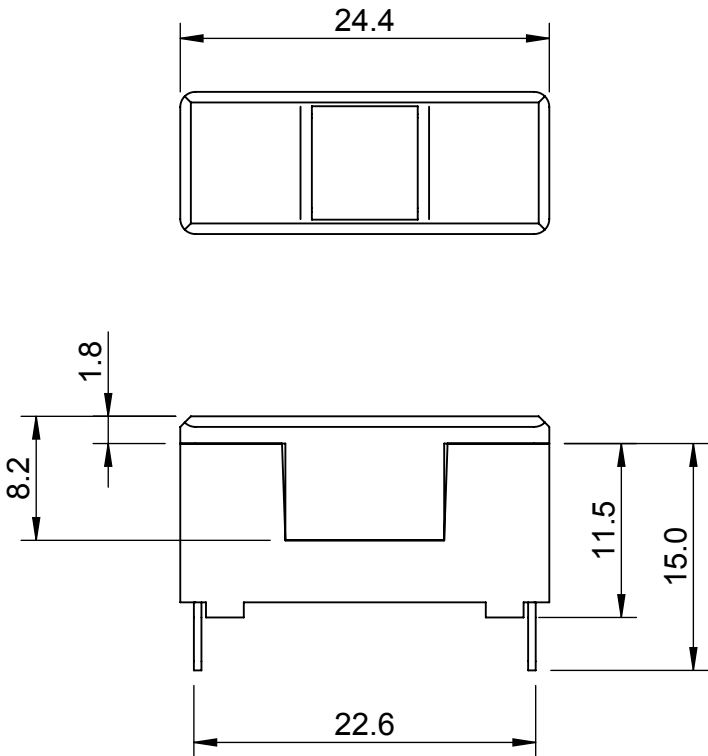
NOTE:
 MATERIAL : ARCOPLEX KOSTIL AF1200
 COLOR: TRANSPARENT.
 FOR USE WITH : HTC-10M
 HTC-15M
 HTC-15MS



MODEL VERSION: 00 MODEL SOURCE FILE: TS-20-10-HTC150M	UNLESS OTHERWISE SPECIFIED, ALL DIMENSIONS ARE IN MILLIMETERS. TOLERANCES UNLESS OTHERWISE SPECIFIED: GENERAL ± 0.4mm ANGULAR ± 1°	TITLE <h3>FUSE BLOCK COVER HTC-150M</h3>				 <i>Powering Business Worldwide</i>	
	UNCONTROLLED COPY	DRAWN BY: JVM	DATE: 21/04/2016	SCALE: NTS	ANGLE: THIRD		
	THIS DRAWING IS CONFIDENTIAL AND THE COPYRIGHT OF EATON AND MUST NOT BE COPIED OR PASSED ON TO A THIRD PARTY WITHOUT WRITTEN CONSENT	MATERIAL: <p style="text-align: center;">SEE NOTE</p>	FINISH: <p style="text-align: center;">NONE</p>		EATON Burton-on-the-Wolds, Leics, LE12 5TH Tel +44 1509 882 600		
DWG NO: TS-20-10-HTC150M					REV: A	SHEET: 1 OF 1	

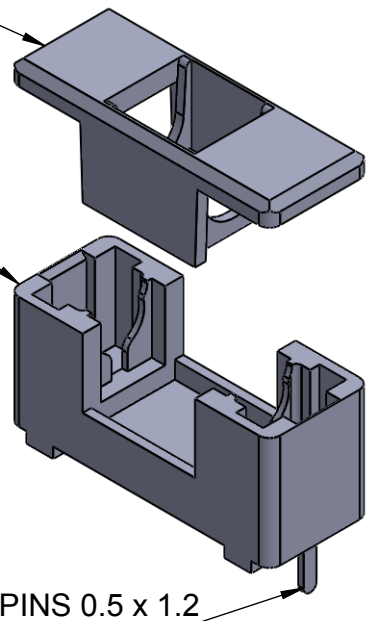
REV	DESCRIPTION	BY	DATE	CHANGE NO.
A	REDRAWN IN SOLIDWORKS FIRST ISSUE	JVM	21/04/2016	---

FOR INFORMATION ONLY.
FOR DETAILED DIMENSIONS SEE
INDIVIDUAL INFORMATION SHEETS.

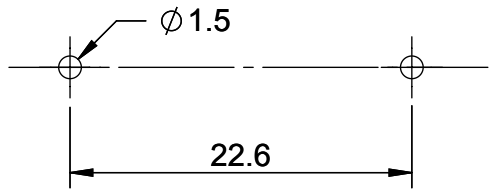


FUSE CARRIER
HTC-160M

FUSE HOLDER
HTC-78M




PIN FOOTPRINT



HTC-100M

PINS 0.5 x 1.2

MODEL VERSION: 00 TS-20-10-HTC-100M	<small>UNLESS OTHERWISE SPECIFIED, ALL DIMENSIONS ARE IN MILLIMETERS.</small>		TITLE FUSEHOLDER / FUSE CARRIER SET FOR 20x5 FUSES.				 <i>Powering Business Worldwide</i>	
	<small>TOLERANCES UNLESS OTHERWISE SPECIFIED: GENERAL ± 0.4mm ANGULAR ± 1°</small>		DRAWN BY: JVM	DATE: 21/04/2016	SCALE: NTS	ANGLE: THIRD		
	UNCONTROLLED COPY		MATERIAL: VARIOUS		FINISH: NONE		EATON Burton-on-the-Wolds, Leics, LE12 5TH Tel +44 1509 882 600	
	<small>THIS DRAWING IS CONFIDENTIAL AND THE COPYRIGHT OF EATON AND MUST NOT BE COPIED OR PASSED ON TO A THIRD PARTY WITHOUT WRITTEN CONSENT</small>		DWG NO: TS-20-10-HTC-100M		REV: A	SHEET: 1 OF 1		

Mouser Electronics

Authorized Distributor

Click to View Pricing, Inventory, Delivery & Lifecycle Information:

[Eaton:](#)

[BK1-HTC-100M](#) [BK1-HTC-150M](#) [BK1/HTC-100M](#) [BK/HTC-100M](#)