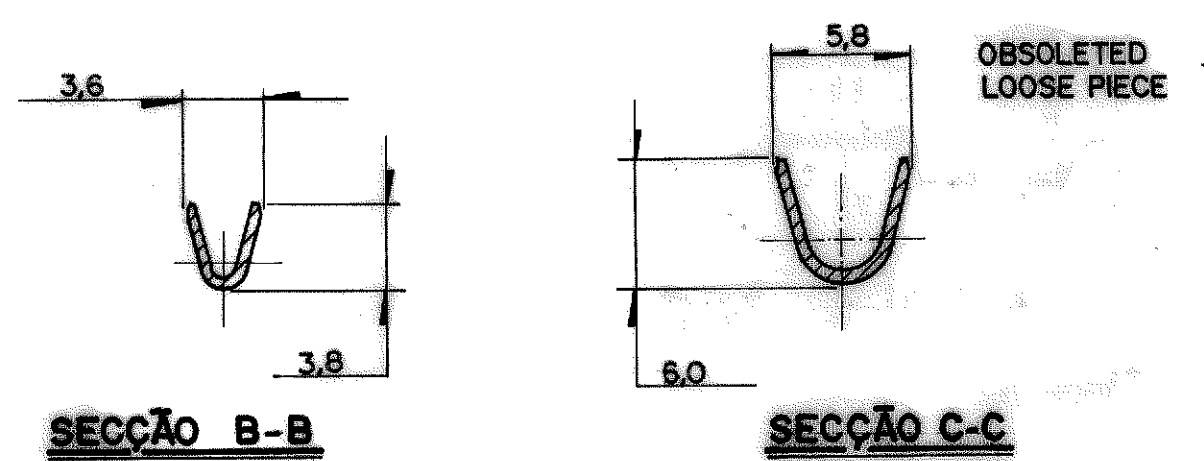
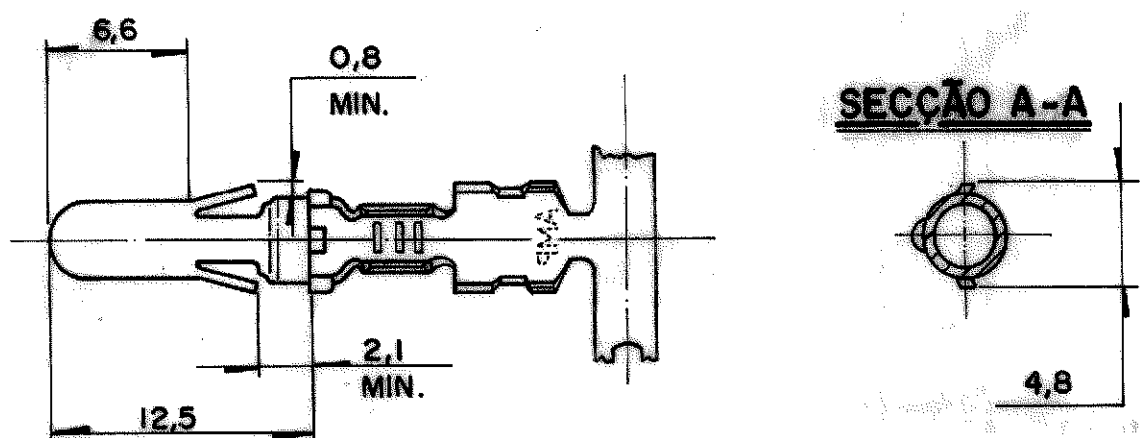
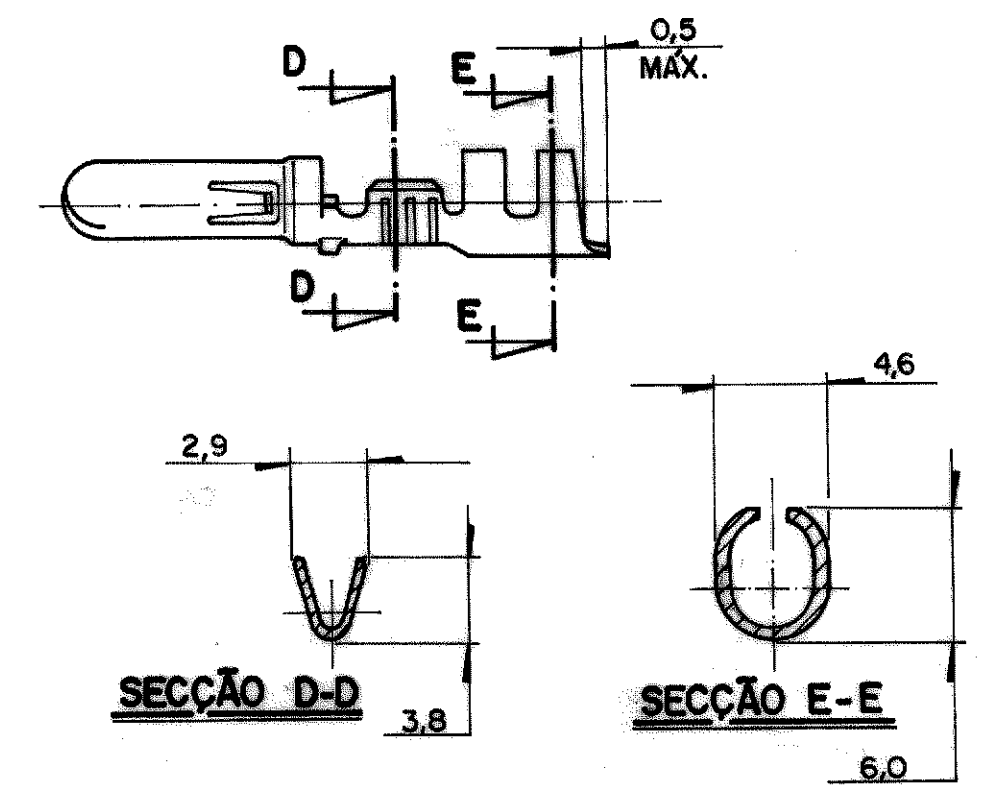
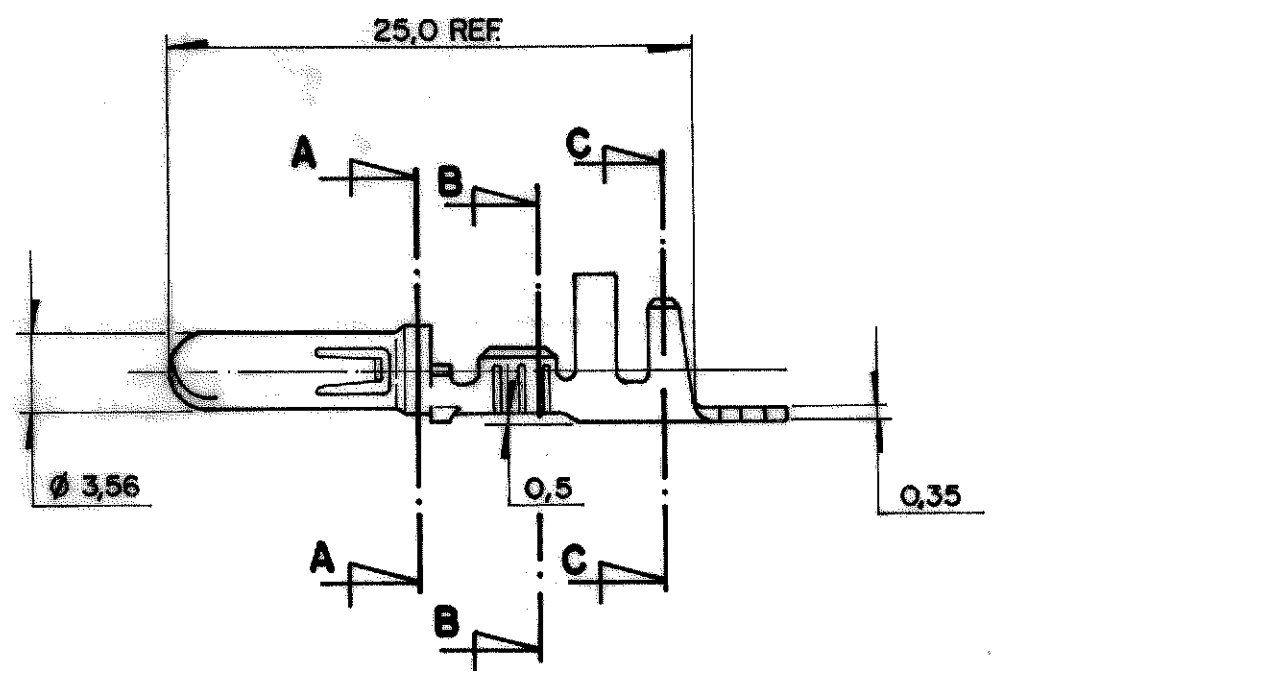


SHEET 1 OF 1
C 880685

DWG NO.		DO NOT SCALE		METRIC		3rd ANGLE PROJECTION	
		DIMENSIONS IN mm.					
REQ. PER ASSY	ITEM	DESCRIPTION	MATERIAL	FINISH			

DETALHE - LOOSE PIECE



NOTAS:

- 1- PARA CRIMPAGEM DA PEÇA SOLTA USAR FERR. MANUAL CRIMPAC II PN-825582.
- 2 OBSOLETE PARTS: OBSOLETE CIS STREAMLINING PER D.RENAUD/D.SINISI

5	PRATEADO		2	5
4	ESTANHADO		2	4
3		BRONZE FOSF.		3
2	ESTANHADO			2
880685-1		LATÃO		880685-1
LOOSE PIECE	FINISH	MATERIAL	PART NUMBER	

CUSTOMER DWG
for REFERENCE ONLY

THIS DRAWING IS UNPUBLISHED | RELEASED FOR PUBLICATION 19
 © COPYRIGHT 19 BY AMP DO BRASIL LTDA S.P. ALL INTERNATIONAL RIGHTS RESERVED AMP PRODUCTS MAY BE COVERED BY U.S. AND FOREIGN PATENTS AND/OR PATENTS PENDING.
 TOLERANCES UNLESS OTHERWISE STATED
 DEC. ± 0.3
 ANGLES ± 1°
 INS. DIA. RANGE 2.7 ÷ 4.0mm.
 WIRE RANGE >10 ÷ 2.5mm²
 SCALE

AMP AMP do BRASIL LTDA.
São Paulo, Brasil

B1	REVISED PER ECO-09-026444	KK AEG	27NOV09	DR. H.C. CANTER	13. Feb. 95	DESCRIPTION .140 DIA PIN	REV B1
B	OBSOLETE LOOSE PIECE VERSIONS 0234/02	7c	03/JUL/95	DE			
A1	PRATEADO	0092/95	13. Feb. 95	DR. P. PASCHOA	14/FEB/95	DWG NO. C 880685	SHEET 1 of 1
ISS	REVISION RECORD	ECN	OR	CHK	DATE	A3	

Mouser Electronics

Authorized Distributor

Click to View Pricing, Inventory, Delivery & Lifecycle Information:

[TE Connectivity:](#)

[880685-2](#)