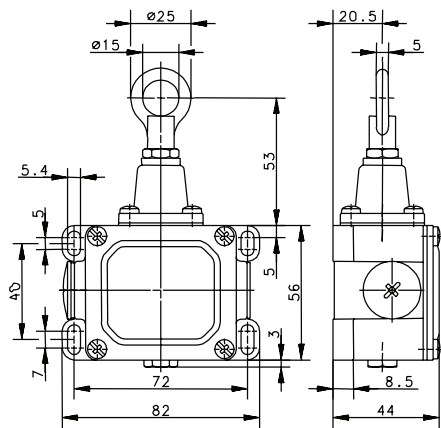


SD and SID Series

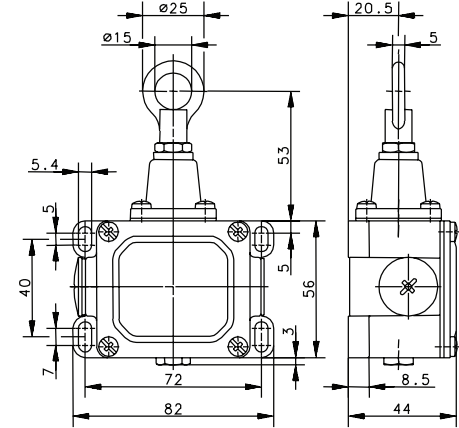


Pull Cable to change contact state, release cable to reset

SD



SID



Variant 1	Article No. Designation Max. span Type	601.1411.856 SD-U1 26.2 Ft. (8 Meters) Metal Body without Tension Monitor		601.1431.857 SID-UV1Z 13.1 Ft. (4 Meters) Metal Body with Tension Monitor	
Variant 2	Article No. Designation Max. span Type	611.1411.029 SD-U1 19.7 Ft. (6 Meters) Metal Body without Tension Monitor		611.1431.022 SID-UV1Z 26.2 Ft. (8 Meters) Metal Body with Tension Monitor	
Variant 3	Article No. Designation Max. span Type	611.1411.161 SD-U1 19.7 Ft. (6 Meters) Metal Body without Tension Monitor		611.1431.069 SID-UV1Z 39.4 Ft. (12 Meters) Metal Body with Tension Monitor	

Technical Information

Maximum Switching Voltage	240V	240V
Maximum Switching Amperage	16A	16A
B10d	On Request	On Request
Mechanical Service Life	1 x 10 ⁶	1 x 10 ⁶
Switching Frequency	≤ 20/min	max. 20/min
Operating Temperature	-30 °C to +80 °C	-30 °C to +80 °C
Protection Rating	IP65	IP65
Utilization Category	AC-15, U _e /I _e 240 V / 3 A	AC-15, U _e /I _e 240 V / 3 A
Rate Insulation Voltage	400VAC	400VAC
Approvals		

Drawing dimensions in mm

Mouser Electronics

Authorized Distributor

Click to View Pricing, Inventory, Delivery & Lifecycle Information:

[Altech:](#)

[601.1431.857](#) [601.1411.856](#) [611.1431.022](#) [611.1411.029](#) [611.1411.161](#) [611.1431.069](#)