

NOTES:

1. MATERIALS

HOUSING - HIGH TEMP. NYLON GLASS FILLED, UL 94V-0

COLOR: BLACK

EJECTOR - HIGH TEMP. NYLON GLASS FILLED, UL 94V-0

COLOR: SEE TABLE

TERMINAL - COPPER ALLOY

2. PLATING - SEE TABLE IN SHEET 5 & 6.

3. CARD SLOT ACCEPTS 1.27±0.10 MM MODULE THICKNESS.

(MEASURED OVER P.C. PADS)

4. RECOMMENDED MODULE LAYOUT SHALL BE AS PER JEDEC MO-237.

5. REFER TO PRODUCT SPEC. PS-87705-002 FOR PERFORMANCE SPECIFICATIONS.

6. PRODUCT SHALL BE PACKED IN TRAY.

7. PRODUCT SHALL HAVE DATE CODE STAMPED ON SIDE OF HOUSING.

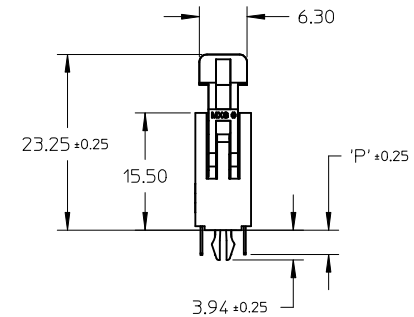
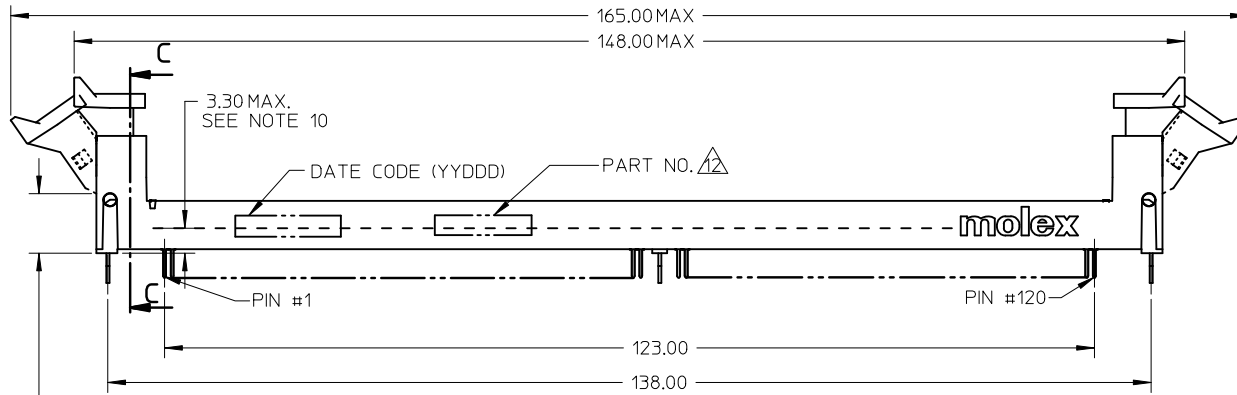
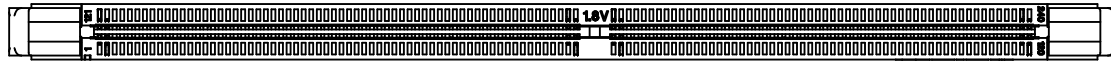
8. KEEP OUT AREA IS THE AREA WHERE THE CONNECTOR IS MOUNTED ONTO THE PCB WHICH DOES NOT INCLUDE THE LATCH.

9. REFER TO CRITICAL JEDEC INFORMATION FOR SOCKET OUTLINE PER SO-001.

10. DIMM MODULE SEATING PLANE FROM TOP OF PCB.

11. CONTACT MOLEX FOR AVAILABILITY OF PRODUCT OPTIONS.

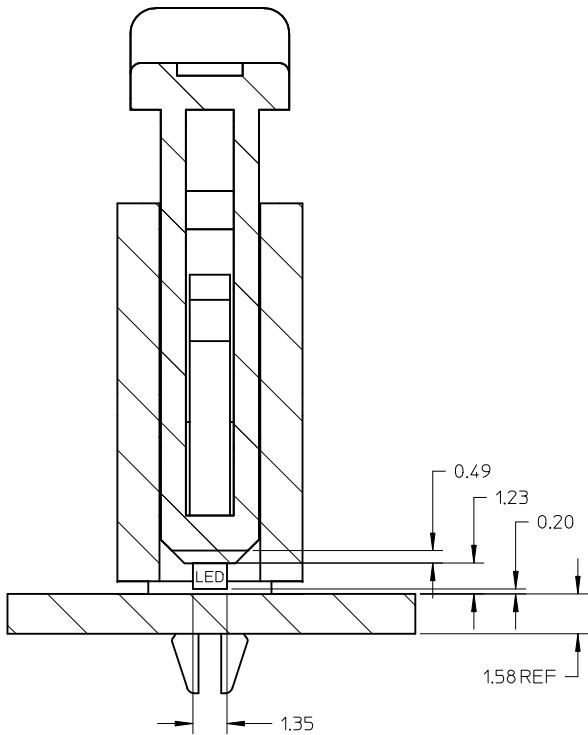
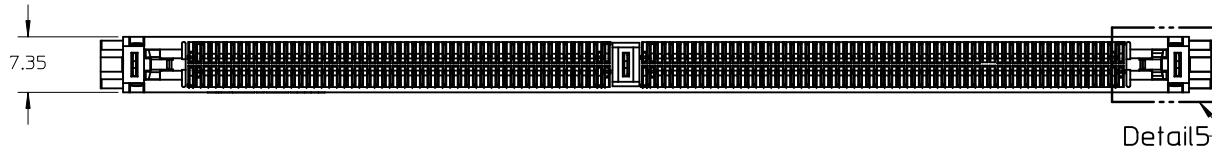
▲ PART NUMBER SHALL BE MARKED LEGIBLY AS 87705-****



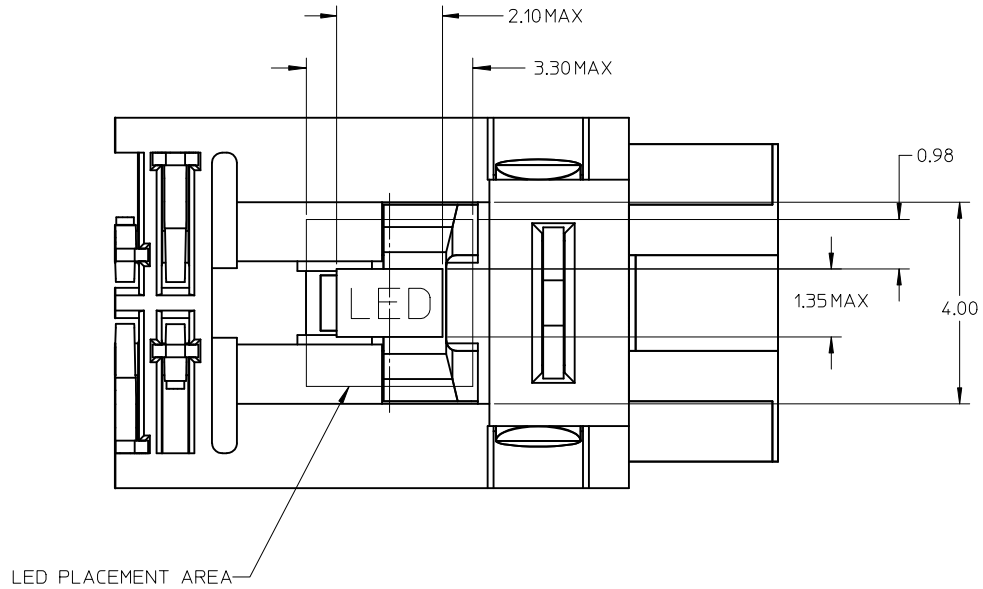
5.00 MIN
LATCH KEEP
OUT AREA

ADDED OPTION EC NO: S2012-0025 DRWN: CTEH CHKD: CGTAN APPR: SILENI 2009/11/16 2011/07/14 2011/07/14	QUALITY SYMBOLS $\nabla_A=0$ $\nabla_C=0$ $\nabla_P=0$	GENERAL TOLERANCES (UNLESS SPECIFIED)		DIMENSION STYLE		SCALE	DESIGN UNITS	THIRD ANGLE PROJECTION			
				MM ONLY		NTS	METRIC				
				mm	INCH	DRAWN BY	DATE	TITLE			
						CGOH	2002/05/09	DDR2 DIMM, 100MM PITCH			
D2	DESCRIPTION REV	4 PLACES	± ---	± ---	CHECKED BY	DATE	240 CKTS				
		3 PLACES	± ---	± ---	DSOH	2002/07/22	(FORKLOCK VERSION)				
		2 PLACES	± 0.20	± ---	APPROVED BY	DATE	MOLEX INCORPORATED				
		1 PLACE	± ---	± ---	SKTOH	2002/07/23	MOLEX INCORPORATED				
		ANGULAR ± 5 °		MATERIAL NO.	DOCUMENT NO.		SHEET NO.				
		DRAFT WHERE APPLICABLE MUST REMAIN WITHIN DIMENSIONS		SEE TABLE		SD-87705-001		1 OF 6			
				SIZE	THIS DRAWING CONTAINS INFORMATION THAT IS PROPRIETARY TO MOLEX INCORPORATED AND SHOULD NOT BE USED WITHOUT WRITTEN PERMISSION						
				A3							

10 9 8 7 6 5 4 3 2 1



SECTION C-C



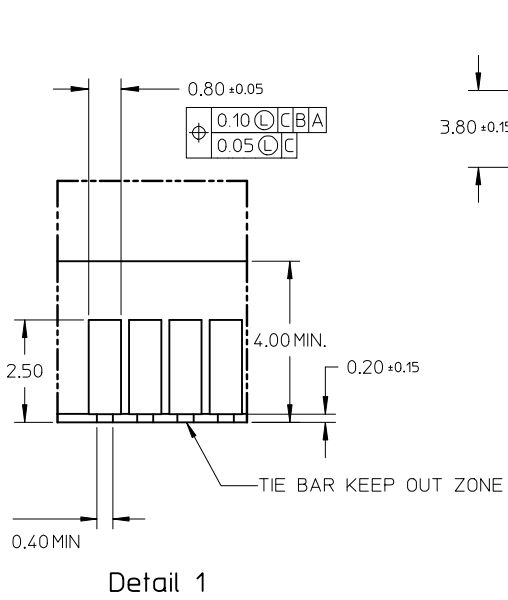
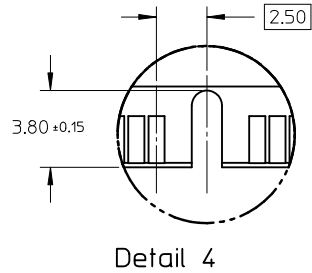
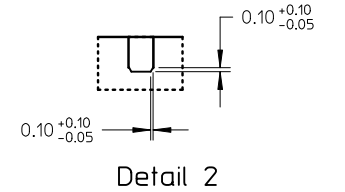
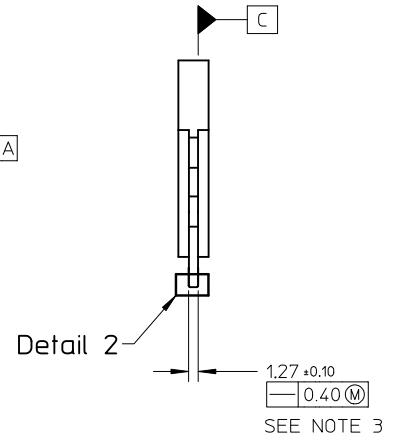
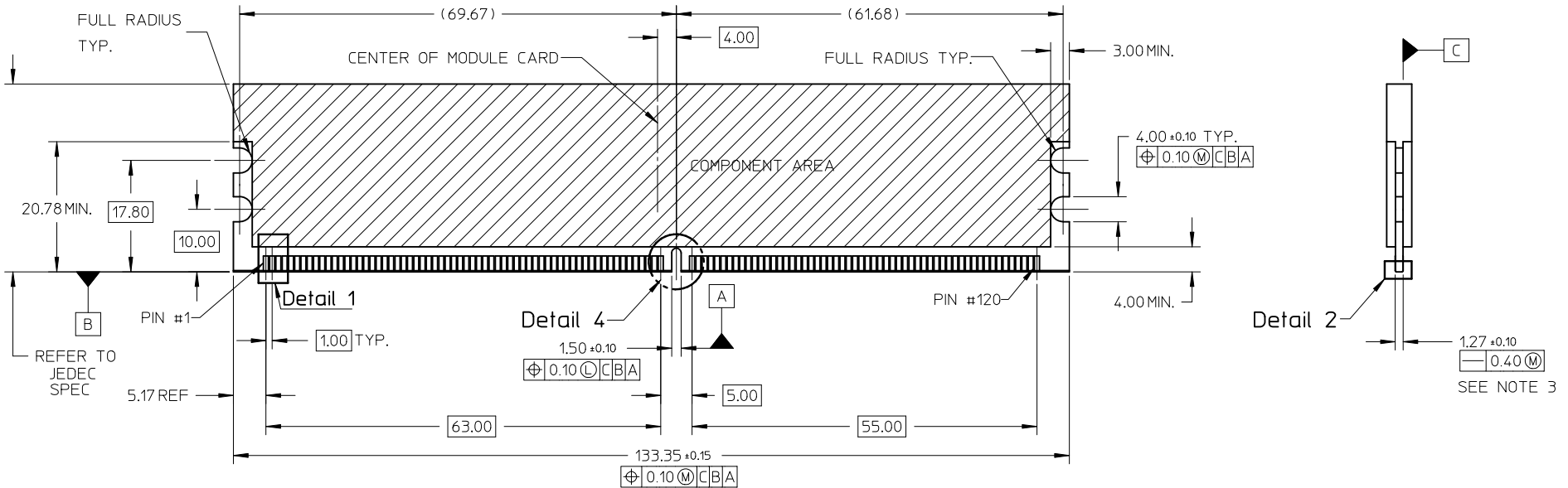
LED PLACEMENT AREA

Detail 5

ADDED OPTION EC NO: S2012-0025 DRWN: CTEH CHKD: CGTAN APPR: SILENI	2009/11/16 2011/07/14 2011/07/14	DESCRIPTION REV	QUALITY SYMBOLS	GENERAL TOLERANCES (UNLESS SPECIFIED)		DIMENSION STYLE MM ONLY		SCALE NTS	DESIGN UNITS METRIC	THIRD ANGLE PROJECTION		
			$\nabla_A = 0$ $\nabla_C = 0$ $\nabla_P = 0$	mm	INCH	DRAWN BY CGOH	DATE 2002/05/09	TITLE DDR2 DIMM, 100MM PITCH 240 CKTS (FORKLOCK VERSION)				
				4 PLACES ± --- ± ---	3 PLACES ± --- ± ---	CHECKED BY DSOH	DATE 2002/07/22	MOLEX INCORPORATED				
				2 PLACES ± 0.20 ± ---	1 PLACE ± --- ± ---	APPROVED BY SKTOH	DATE 2002/07/23	DOCUMENT NO. SD-87705-001				
				ANGULAR ± 5 °		MATERIAL NO. SEE TABLE		SHEET NO. 2 OF 6				
DRAFT WHERE APPLICABLE MUST REMAIN WITHIN DIMENSIONS				SIZE A3		THIS DRAWING CONTAINS INFORMATION THAT IS PROPRIETARY TO MOLEX INCORPORATED AND SHOULD NOT BE USED WITHOUT WRITTEN PERMISSION						

9 8 7 6 5 4 3 2 1

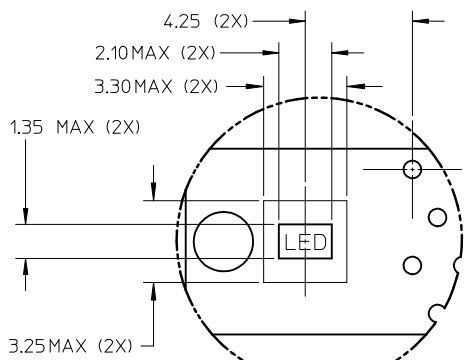
RECOMMENDED MODULE LAYOUT



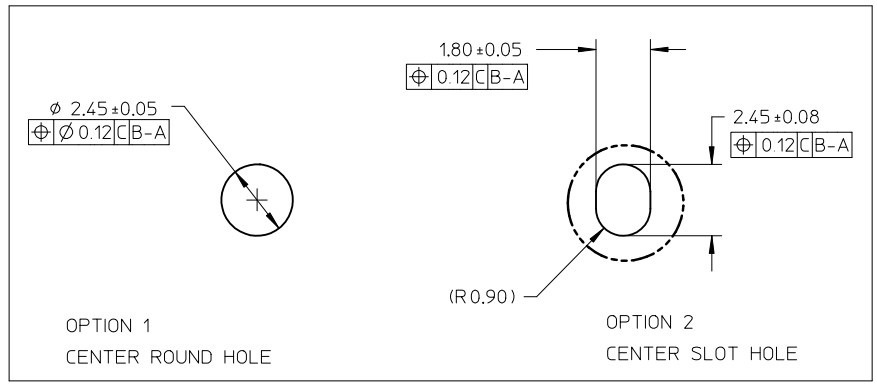
NOTES:
1. MODULE CARD USED FOR TESTS ARE WITH 0.10MM CHAMFER.

ADDED OPTION EC NO: S2012-0025 DRW: CTEH CHKD: CGTAN APPR: SILENI 2009/11/16 2011/07/14 2011/07/14	QUALITY SYMBOLS $F_A=0$ $F_C=0$ $F_P=0$	GENERAL TOLERANCES (UNLESS SPECIFIED)		DIMENSION STYLE MM ONLY		SCALE NTS	DESIGN UNITS METRIC	THIRD ANGLE PROJECTION		
			mm	INCH	DRAWN BY	DATE	TITLE			
		4 PLACES	± ---	± ---	CGOH	2002/05/09	DDR2 DIMM, 100MM PITCH			
		3 PLACES	± ---	± ---	CHECKED BY	DATE	240 CKTS			
						MOLEX INCORPORATED				
						SD-87705-001				
						3 OF 6				
						SEE TABLE				
						THIS DRAWING CONTAINS INFORMATION THAT IS PROPRIETARY TO MOLEX INCORPORATED AND SHOULD NOT BE USED WITHOUT WRITTEN PERMISSION				

10 9 8 7 6 5 4 3 2 1

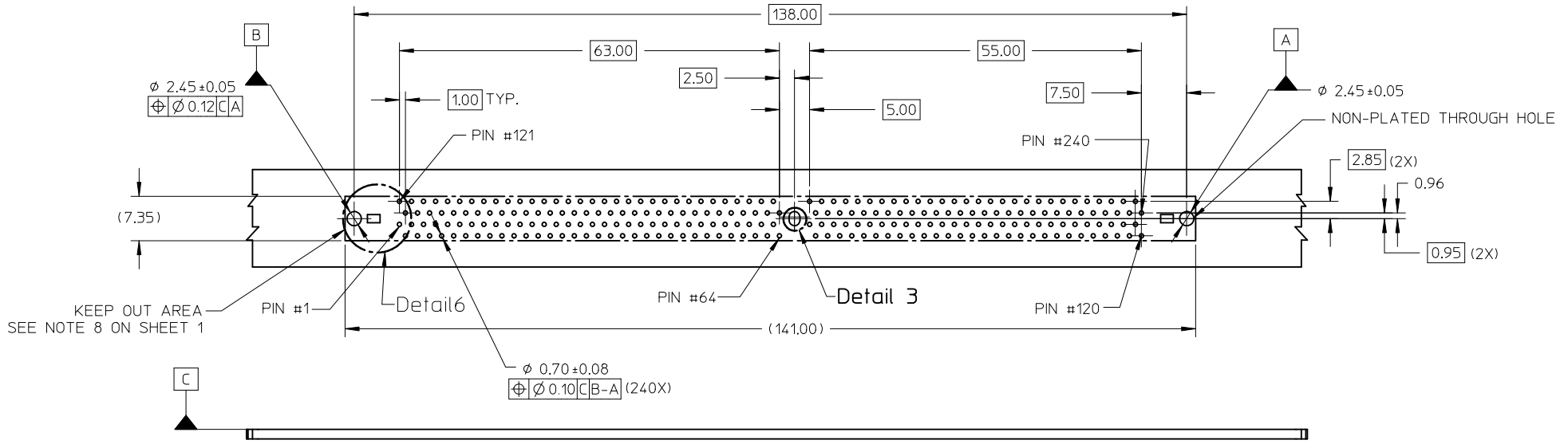


Detail 6



Detail 3

(SEE RECOMMENDED THICKNESS IN TABLE)
RECOMMENDED PCB LAYOUT
CONNECTOR SIDE



KEEP OUT AREA
SEE NOTE 8 ON SHEET 1

ADDED OPTION EC NO: S2012-0025 DRWN: CTEH CHKD: CGTAN APPR: SILENI 2009/11/16 2011/07/14 2011/07/14	DESCRIPTION REV D2	QUALITY SYMBOLS	GENERAL TOLERANCES (UNLESS SPECIFIED)		DIMENSION STYLE MM ONLY		SCALE NTS	DESIGN UNITS METRIC	THIRD ANGLE PROJECTION		
		$\nabla_A = 0$ $\nabla_C = 0$ $\nabla_P = 0$	mm	INCH	DRAWN BY CGOH	DATE 2002/05/09	TITLE DDR2 DIMM, 100MM PITCH 240 CKTS (FORKLOCK VERSION)				
			4 PLACES	± ---	± ---	CHECKED BY DSOH	DATE 2002/07/22	MOLEX INCORPORATED			
			3 PLACES	± ---	± ---	APPROVED BY SKTOH	DATE 2002/07/23	DOCUMENT NO. SD-87705-001		SHEET NO. 4 OF 6	
DRAFT WHERE APPLICABLE MUST REMAIN WITHIN DIMENSIONS			ANGULAR ± 5 °		SEE TABLE		THIS DRAWING CONTAINS INFORMATION THAT IS PROPRIETARY TO MOLEX INCORPORATED AND SHOULD NOT BE USED WITHOUT WRITTEN PERMISSION				

9 8 7 6 5 4 3 2 1

PART NO.	KEY POS.	DIM 'P'	RECOMMENDED PCB THICKNESS	PLATING OPTION	LATCH COLOR	LUBRICATION
87705-0021	CENTER (1.8V)	2.67	1.57	0.38uM / 15 uIN MIN. GOLD ON CONTACT, 2.54uM/ 100uIN MIN. TIN ON SOLDERTAILS, 1.27uM/ 50uIN MIN. NICKEL UNDERPLATE	NATURAL	NO
87705-1021		3.18	2.36			
87705-1053		3.66				
87705-0031		2.67	1.57	0.03uM / 1 uIN MIN. GOLD ON CONTACT, 2.54uM/ 100uIN MIN. TIN ON SOLDERTAILS, 1.27uM/ 50uIN MIN. NICKEL UNDERPLATE		
87705-1031		3.18	2.36			
87705-0051		2.67	1.57	0.76uM / 30 uIN MIN. GOLD ON CONTACT, 2.54uM/ 100uIN MIN. TIN ON SOLDERTAILS, 1.27uM/ 50uIN MIN. NICKEL UNDERPLATE		
87705-1051		3.18	2.36			
87705-3061						YES

ADDED OPTION EC NO: S2012-0025 DRWN: CTEH 2009/11/16 CHKD: CGTAN 2011/07/14 APPR: SILENI 2011/07/14	DESCRIPTION REV	QUALITY SYMBOLS	GENERAL TOLERANCES (UNLESS SPECIFIED)	DIMENSION STYLE	SCALE	DESIGN UNITS	THIRD ANGLE PROJECTION	
		$\nabla_A = 0$ $\nabla_C = 0$ $\nabla_P = 0$	mm INCH	MM ONLY	NTS	METRIC	DRAWN BY: CGOH DATE: 2002/05/09 CHECKED BY: DSOH DATE: 2002/07/22 APPROVED BY: SKTOH DATE: 2002/07/23	TITLE: DDR2 DIMM, 100MM PITCH 240 CKTS (FORKLOCK VERSION)
		4 PLACES ± --- ± --- 3 PLACES ± --- ± --- 2 PLACES ± 0.20 ± --- 1 PLACE ± --- ± --- ANGULAR ± 5 °	SEE TABLE	MOLEX INCORPORATED				
		DRAFT WHERE APPLICABLE MUST REMAIN WITHIN DIMENSIONS	MATERIAL NO. SEE TABLE SIZE: A3	DOCUMENT NO. SD-87705-001 SHEET NO. 5 OF 6				

PART NO.	KEY POS.	DIM 'P'	RECOMMENDED PCB THICKNESS	PLATING OPTION	LATCH COLOR
87705-5051	CENTER (1.8V)	2.67	1.57	0.76μM / 30 μIN MIN. GOLD ON CONTACT, 2.54μM/ 100μIN MIN. TIN ON SOLDERTAILS, 1.27μM/ 50μIN MIN. NICKEL UNDERPLATE	CLEAR
87705-5151		3.18	2.36		
87705-6151		3.18	2.36	0.38μM / 15 μIN MIN. GOLD ON CONTACT, 2.54μM/ 100μIN MIN. TIN ON SOLDERTAILS, 1.27μM/ 50μIN MIN. NICKEL UNDERPLATE	
87705-9101		2.67	1.57	0.38μM / 15 μIN MIN. GOLD ON CONTACT, 2.54μM/ 100μIN MIN. TIN ON SOLDERTAILS, 1.27μM/ 50μIN MIN. NICKEL UNDERPLATE	

ADDED OPTION EC NO: S2012-0025 2009/11/16 DRW: CTEH CHKD: CGTAN 2011/07/14 APPR: SILENI 2011/07/14	REV D2	DESCRIPTION QUALITY SYMBOLS $\nabla_A = 0$ $\nabla_C = 0$ $\nabla_P = 0$	GENERAL TOLERANCES (UNLESS SPECIFIED)		DIMENSION STYLE MM ONLY		SCALE NTS	DESIGN UNITS METRIC	THIRD ANGLE PROJECTION			
					mm	INCH	DRAWN BY CGOH	DATE 2002/05/09	TITLE DDR2 DIMM, 100MM PITCH 240 CKTS (FORKLOCK VERSION)			
			4 PLACES	± ---	± ---	± ---	CHECKED BY DSOH	DATE 2002/07/22	MOLEX INCORPORATED			
			3 PLACES	± ---	± ---	± ---	APPROVED BY SKTOH	DATE 2002/07/23	MATERIAL NO. SEE TABLE	DOCUMENT NO. SD-87705-001	SHEET NO. 6 OF 6	
2 PLACES	± 0.20	± ---	± ---	ANGULAR ± 5 °		DRAFT WHERE APPLICABLE MUST REMAIN WITHIN DIMENSIONS						
1 PLACE	± ---	± ---	± ---	THIS DRAWING CONTAINS INFORMATION THAT IS PROPRIETARY TO MOLEX INCORPORATED AND SHOULD NOT BE USED WITHOUT WRITTEN PERMISSION								

Mouser Electronics

Authorized Distributor

Click to View Pricing, Inventory, Delivery & Lifecycle Information:

[Molex:](#)

[87705-5151](#)